



1 PROPOSED SECTION B-B
 AS PROPOSED

C	PREVIOUSLY APPROVED STUDIO REMOVED FROM DRAWINGS. ISSUED FOR PLANNING.	25/06/2012
B	ISSUED FOR INFORMATION	14/06/2012
A	ISSUED FOR INFORMATION	01/06/2012
Rev No	Revision note	Date

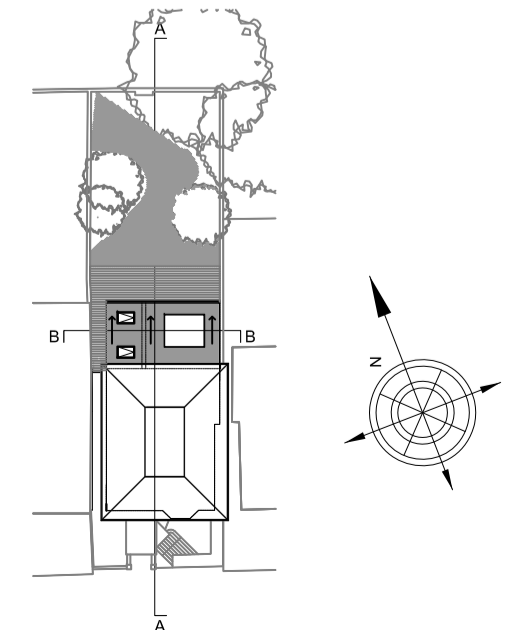


Project Name : **31 LANCASTER GROVE**
 Title : **SECTION B-B AS PROPOSED**

Scale : 1:50 @ A1 Status : **PLANNING**

Date : **MAR 2011** Revision : **C**

Orig No : **2270 20 05**



THIS LINE IS 100mm (A1) or 50mm (A3)

THIS LINE IS 100mm (A1) or 50mm (A3)