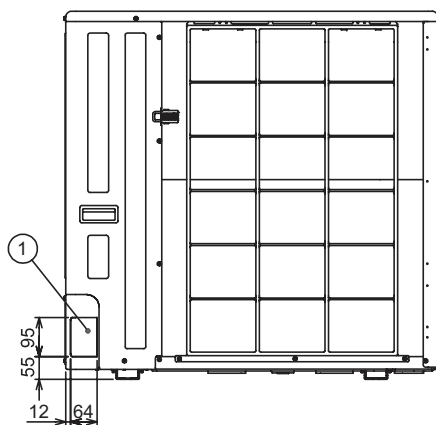
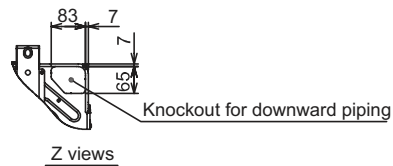
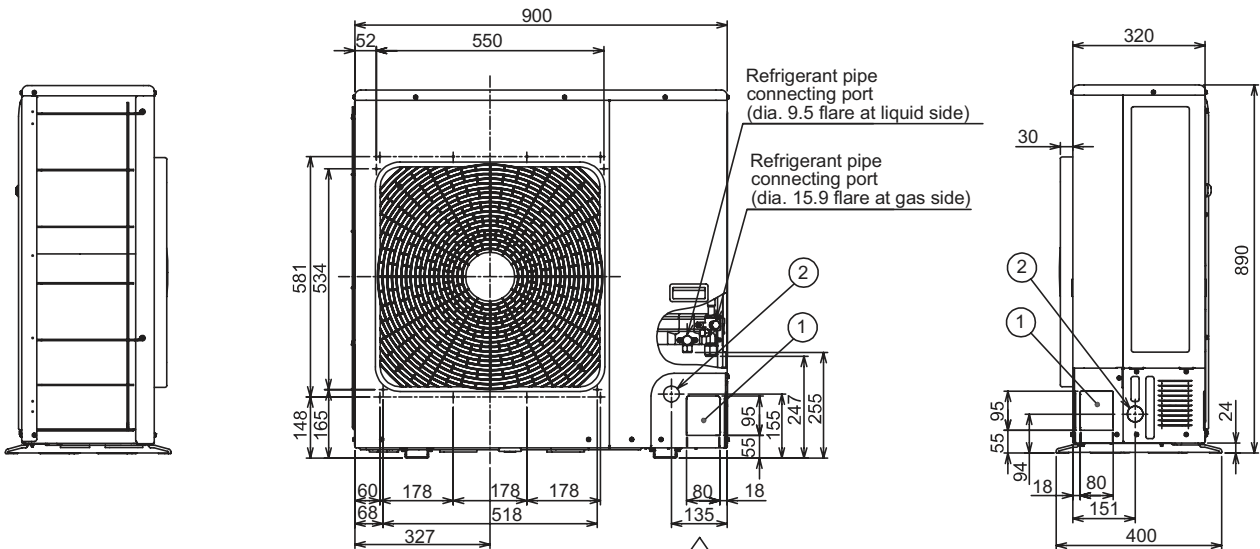
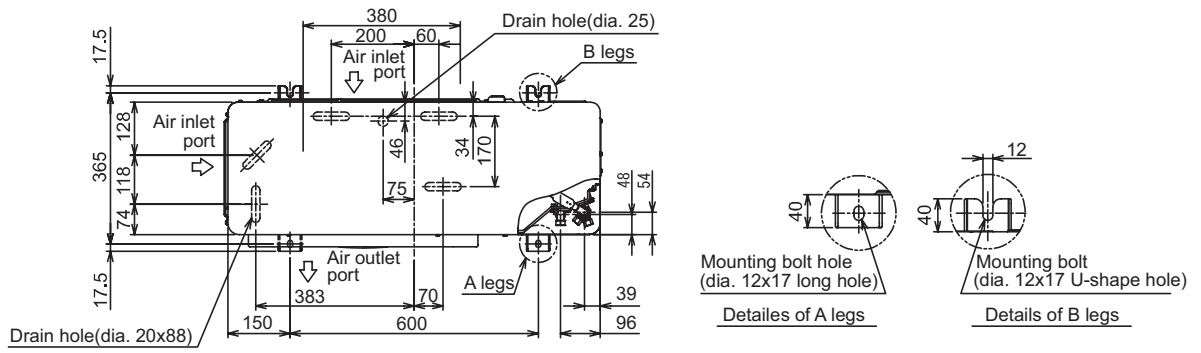


RAV-SP804AT-E, RAV-SP804ATZ-E, RAV-SP804ATZG-E



	Name	Note
①	Refrigerant piping hole Indoor/Outdoor unit connecting wire inlet hole	—
②	Power supply inlet hole	dia. 38 Knockout hole

(Unit: mm)