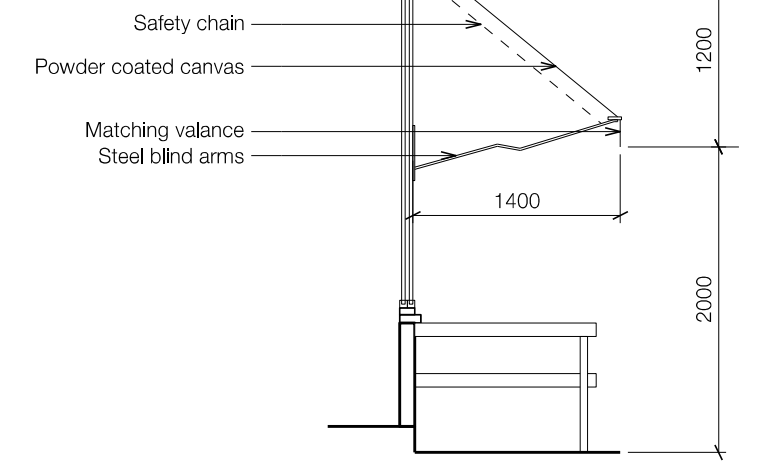




PROPOSED ELEVATION

SECTION A



PROPOSED SECTION A

Retractable canvas awning powder coated black



West Architecture
 2-3 Greenland Place
 London
 NW1 0AP
 Telephone +44(0)20 7482 6849
 Email info@westarchitecture.co.uk
 www.westarchitecture.co.uk

Project	SHAFTESBURY AVENUE DINER
Title	PROPOSED FRONT ELEVATION PROPOSED SECTION A

Job No	21.20	Drwg No	PA21.20.041	Rev	A
Scale	1:50	Date	06.08.12	Sheet	A3
Client	BARWORKS	Drawn	HM	Check	gw

Do not scale. Illustrated material subject to copyright
 All dimensions to be checked on site and errors to be reported to architect