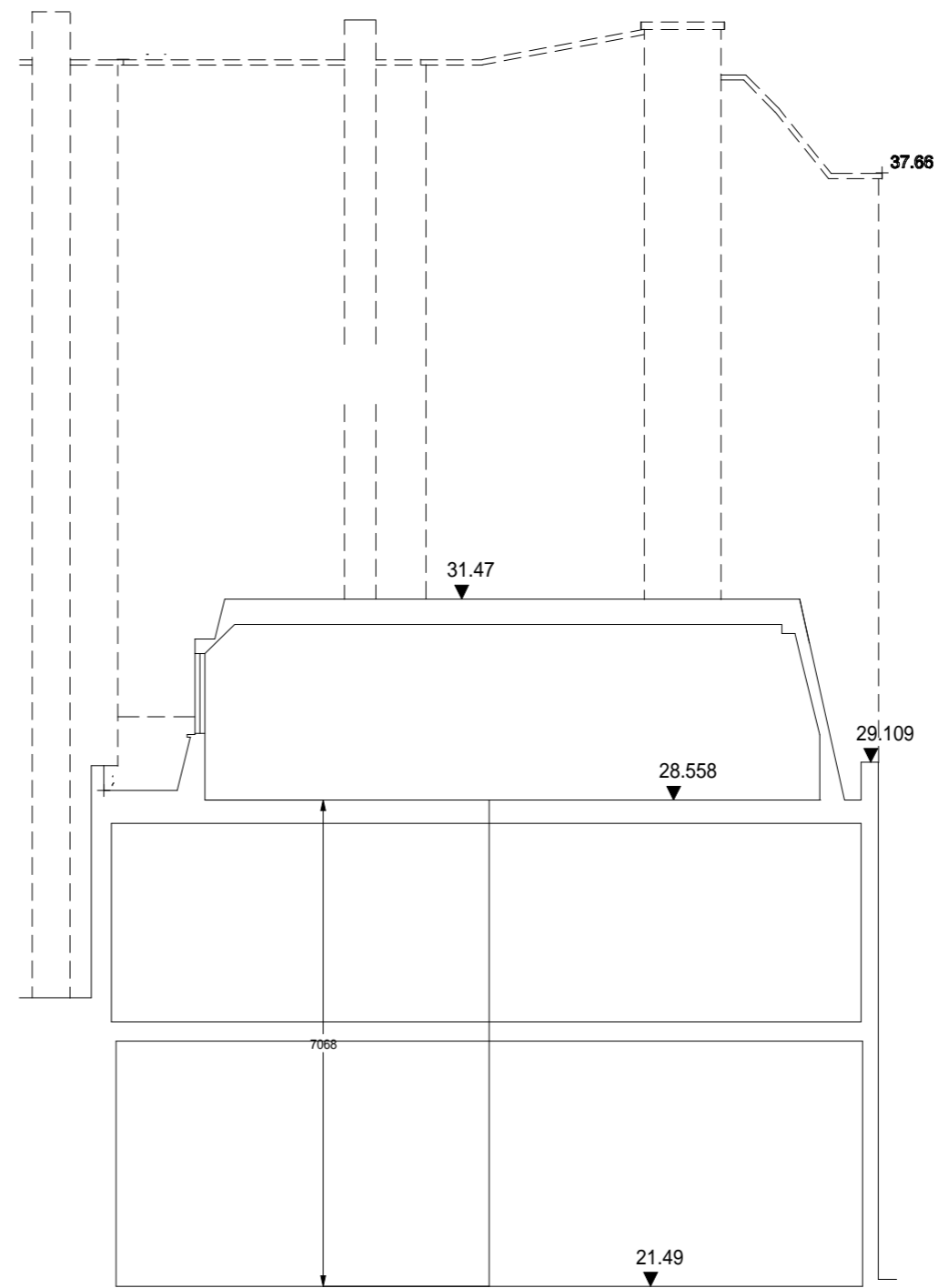
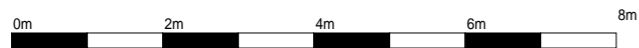


SECTION B-B



SECTION C-C

CLIENT	NICHOLAS RAE
SCALE	1:100 @ A3



NICHOLAS RAE & ASSOCIATES LTD 29/30 KING'S MEWS, LONDON WC1 NICK@NJR.AE.CO.UK Tel: +44(0) 7775 894989	
SITE	29/30 KING'S MEWS, LONDON WC1
DRAWING TITLE	EXISTING SECTIONS B-B & C-C
DRAWING REF	2004-A 29-30KM
DATE	04 JULY 2012