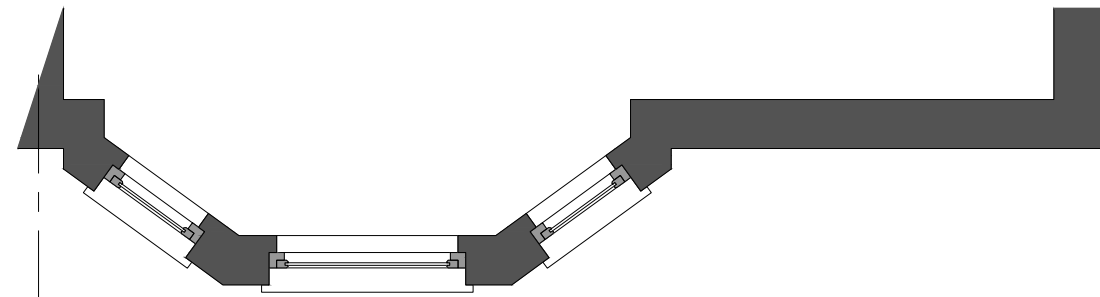


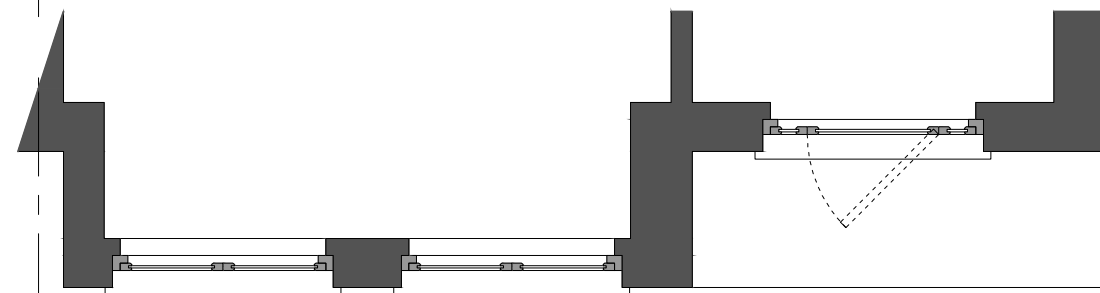
contractors should request dimensions where none have been provided - do not estimate dimensions from drawings. all dimensions to be checked on site

# Plans - Existing

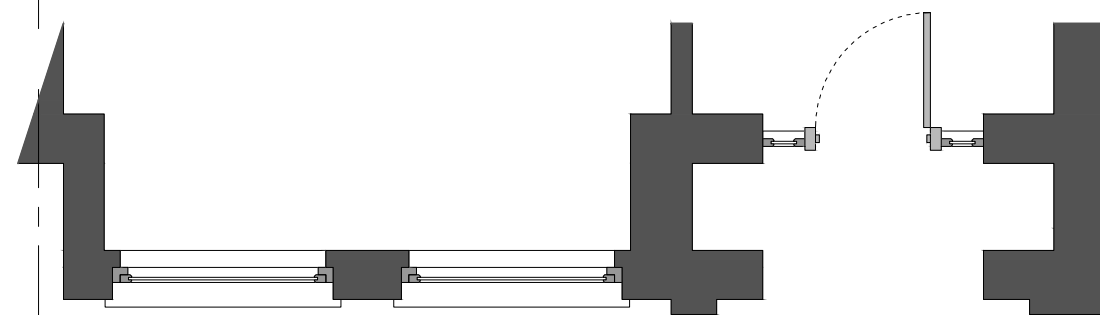
1:50



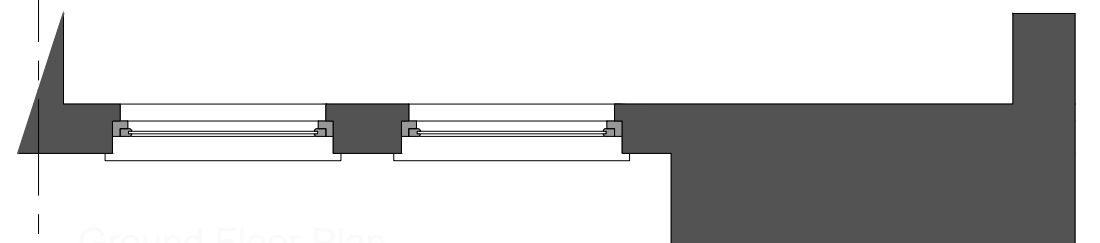
Third Floor Plan



Second Floor Plan



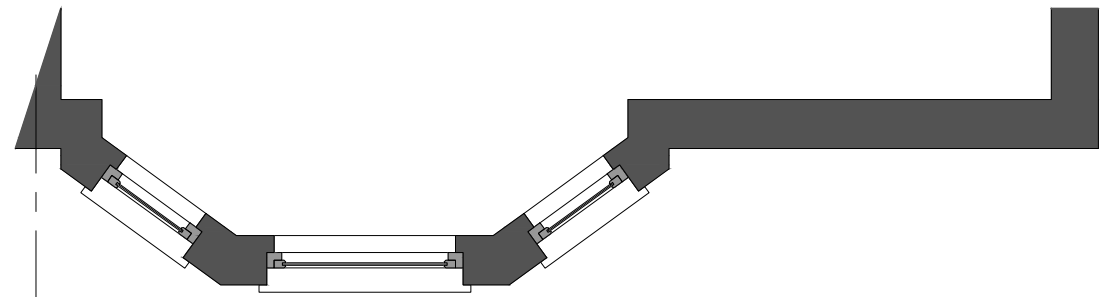
First Floor Plan



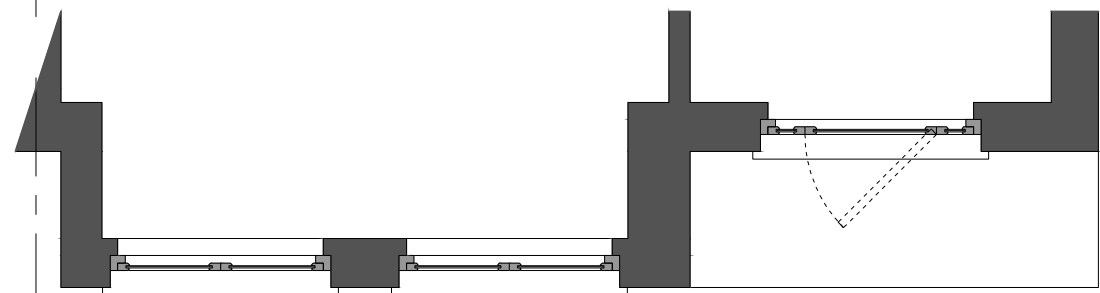
Ground Floor Plan

# Plans - Proposed

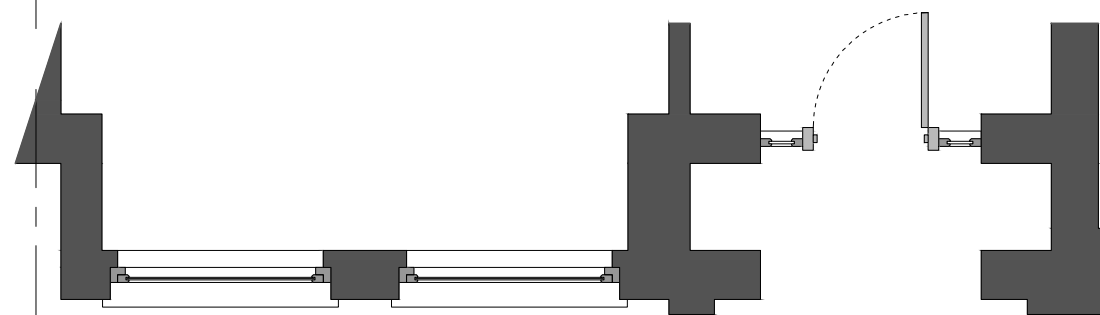
1:50



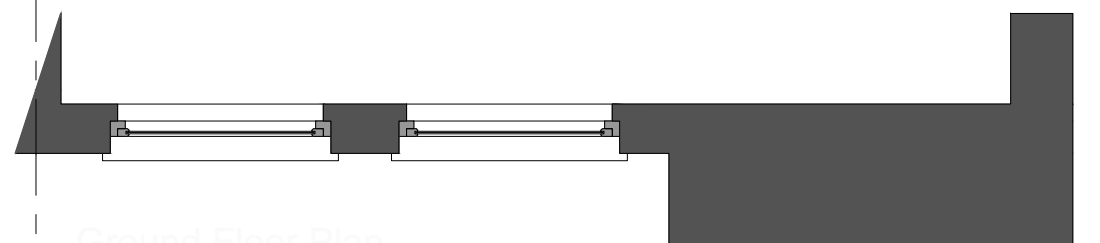
Third Floor Plan



Second Floor Plan



First Floor Plan



Ground Floor Plan

revision	changes	date
B	Double glazing shown as planner's request	23.08.12

revision	changes	date
A	Annotation added to planner's request	21.08.12

date of issue	scale	paper size
August 2012	1:50	A3

122 Greencroft Gardens  
 Floor Plans  
 Existing & Proposed



job number	drawing number	revision
180	180 : 02	B

andrew ross riba: 2 kitswell way radiott herts wd7 7hn  
 andrew@area-design.co.uk 07545 759302