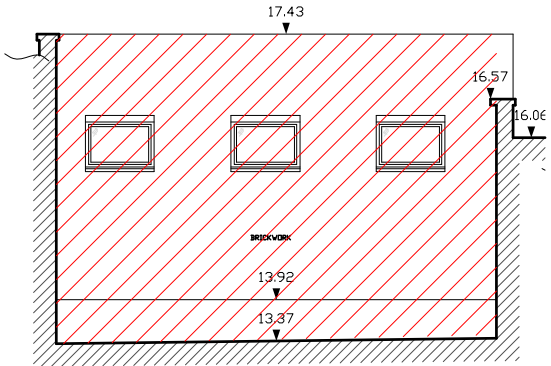


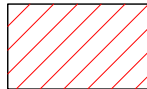
© bere:architects 2011



- 1 Use figured dimensions only
- 2 Do not scale from this drawing
- 3 All dimensions to be checked on site and the Architect to be informed of any discrepancies before construction commences
- 4 All references to drawings refer to current revision of that drawing
- 5 Structural and services information shown is indicative only. Refer to consultants' drawings for details and setting out
- 6 All work and materials to be in accordance with current applicable statutory legislation and to comply with all relevant codes of practice and British and European standards

Rev	Description	Date	By	Chk
A	For Planning Issue	09.01.12	CS	JB
B	Demolition hatch added	09.03.12	CS	JB

EXISTING



Proposed Demolitions

Project: Kings Mews
Subject: Rear Elevation Existing
Scale: 1:100 @ A4
Date: 22.11.11

bere:architects
 73 Poets Road, London, N5 2SH
 T +44 (0) 20 7359 4503 F +44 (0) 20 7424 5572 bere@bere.co.uk
 Project | Drawing | Rev
0398.B3.G20.E01 A