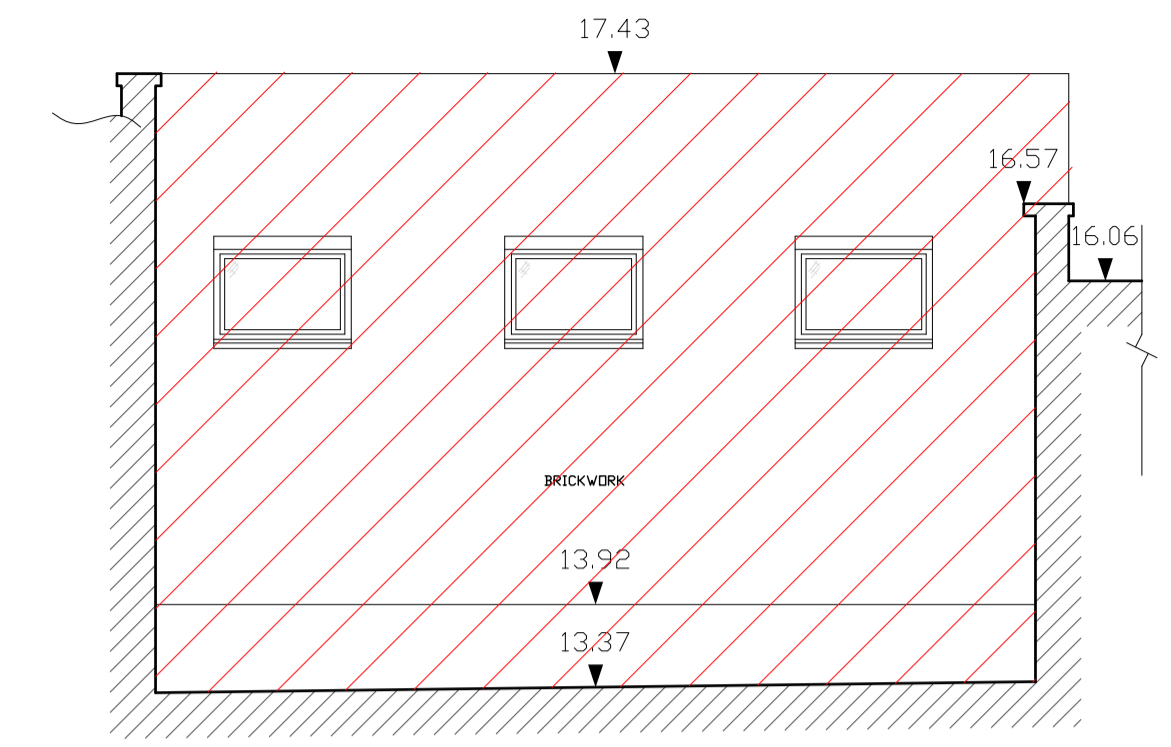
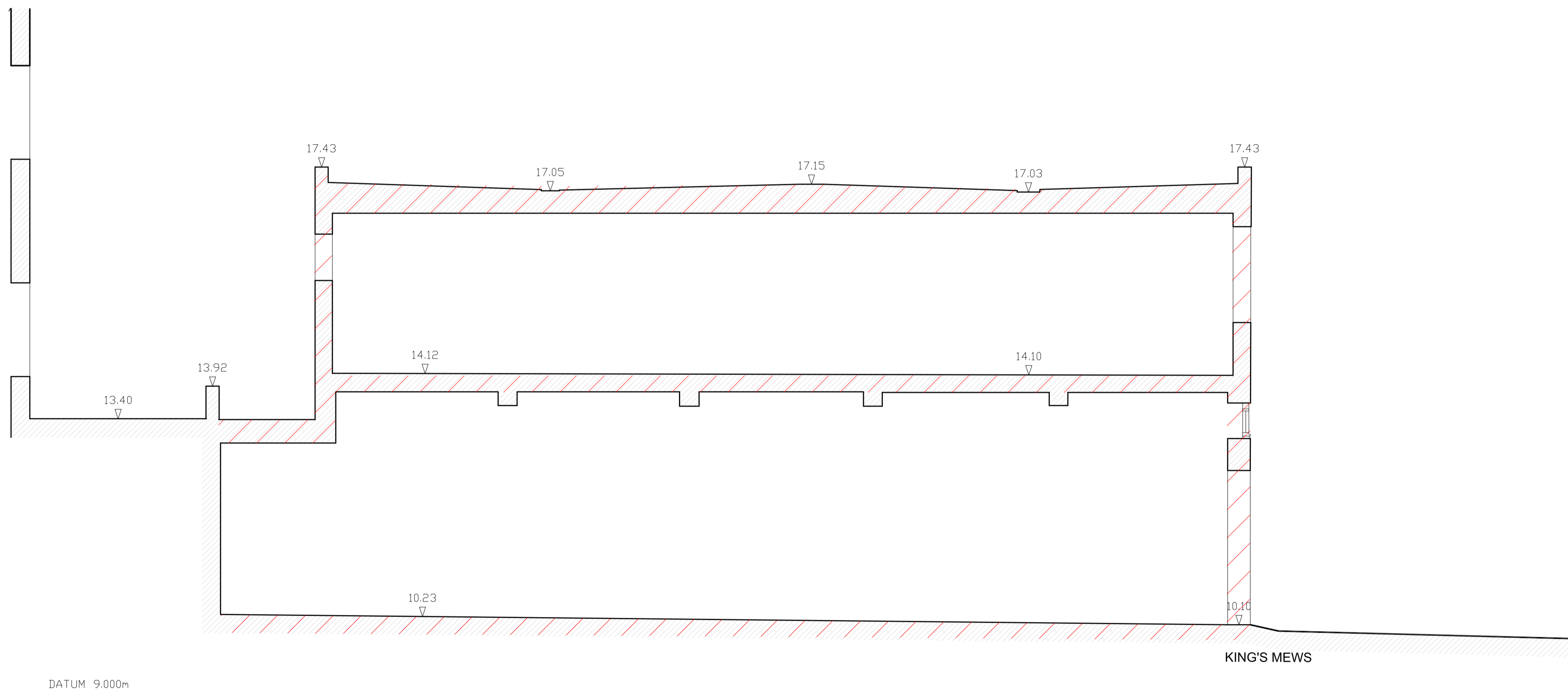




STREET ELEVATION

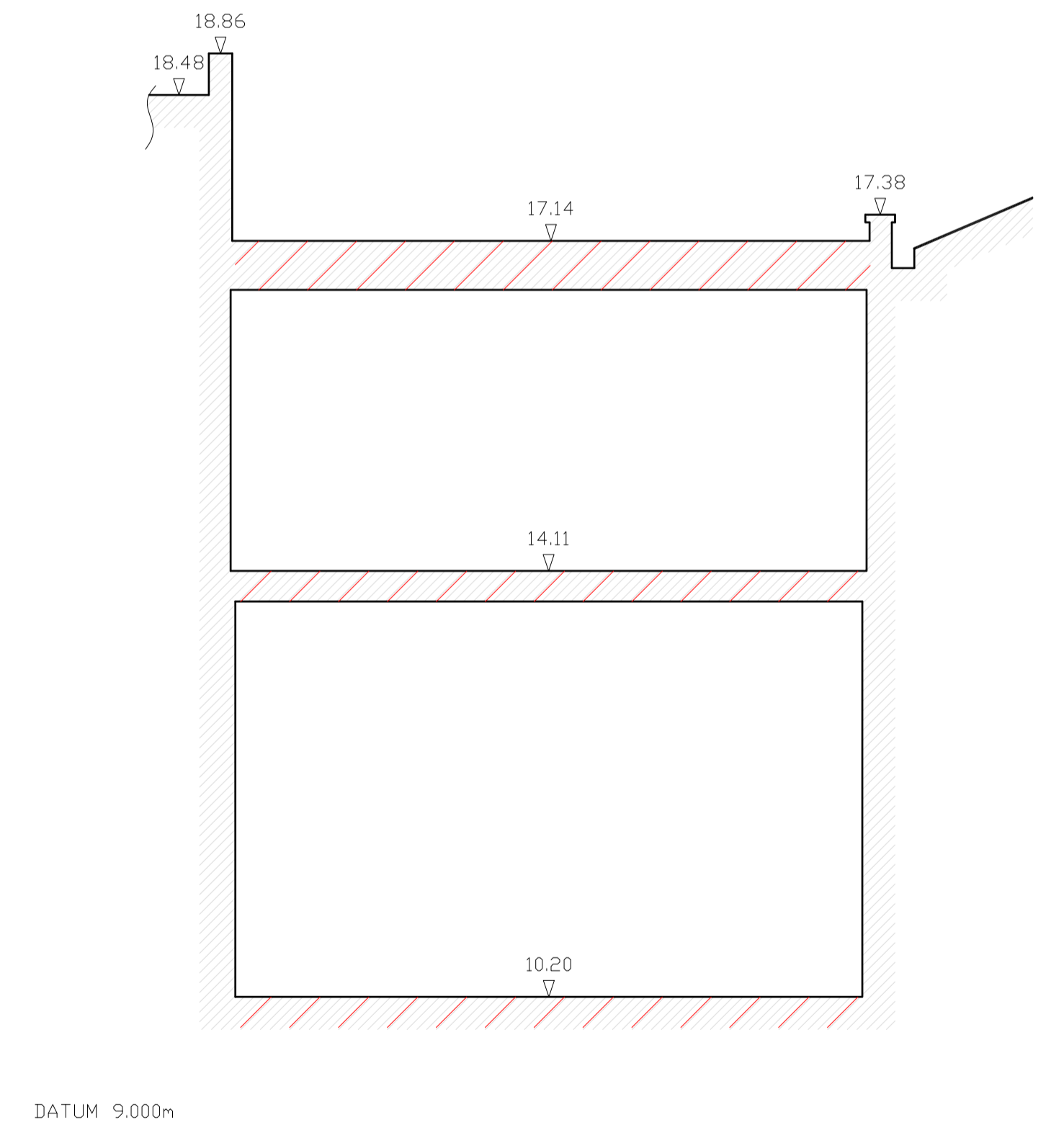


REAR ELEVATION



DATUM 9.000m

SECTION AA



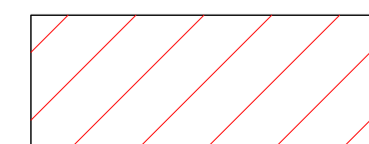
DATUM 9.000m

SECTION BB



Rev	Description	Date	By	Cnk
1	Use figured dimensions only			
2	Do not scale from this drawing			
3	All dimensions to be checked on site and the Architect to be informed of any discrepancies before construction commences			
4	All references to drawings refer to current revision of that drawing			
5	Structural and services information shown is indicative only. Refer to consultants' drawings for details and setting out			
6	All work and materials to be in accordance with current applicable statutory legislation and to comply with all relevant codes of practice and British and European standards			

EXISTING



Proposed Demolitions

**Project:** 398km 25 King's Mews  
**Subject:** Section AA & BB  
 Street and Rear Elevation  
**Scale:** 1:50 @ A1  
**Date:** 24.07.12

**bere:architects**

73 Poets Road, London, N5 2SH  
 T +44 (0) 20 7359 4503 F +44 (0) 20 7424 5572 bere@bere.co.uk

Project Drawing Rev

0398.B3.G20.E00 A