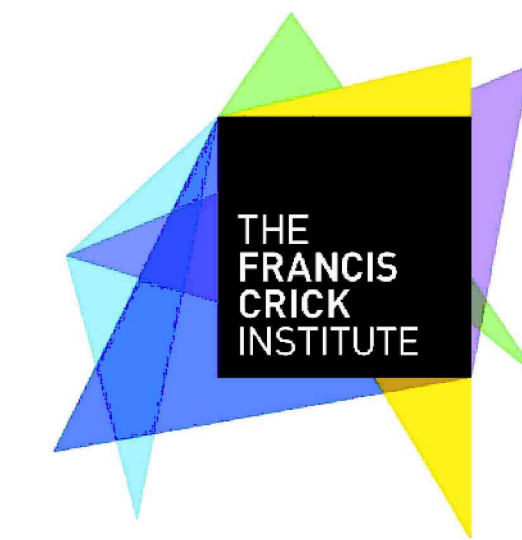


Project



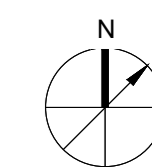
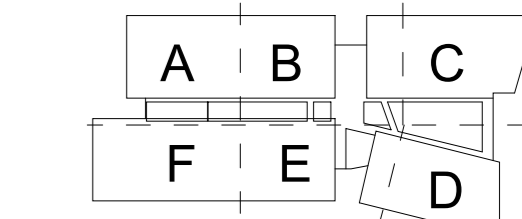
COMMERCIAL IN CONFIDENCE
Prepared For
UKCMRI Construction Ltd.

Project No: 211P90626

NOTES:

By others

Key Plan



Do not scale dimensions from drawings.
Please verify all dimensions prior to construction.
Report all discrepancies to Architect immediately.
These drawings are to be used in conjunction with all relevant documents and drawings.

Rev. Description Date By

C01 miscellaneous 13-06-2012 ME

- - - - -

- - - - -

- - - - -

- - - - -

- - - - -

- - - - -

- - - - -

- - - - -

- - - - -

- - - - -

- - - - -

- - - - -

- - - - -

- - - - -

- - - - -

- - - - -

- - - - -

- - - - -

- - - - -

- - - - -

- - - - -

- - - - -

- - - - -

- - - - -

- - - - -

- - - - -

- - - - -

- - - - -

- - - - -

- - - - -

- - - - -

- - - - -

- - - - -

- - - - -

- - - - -

- - - - -

- - - - -

- - - - -

- - - - -

- - - - -

- - - - -

- - - - -

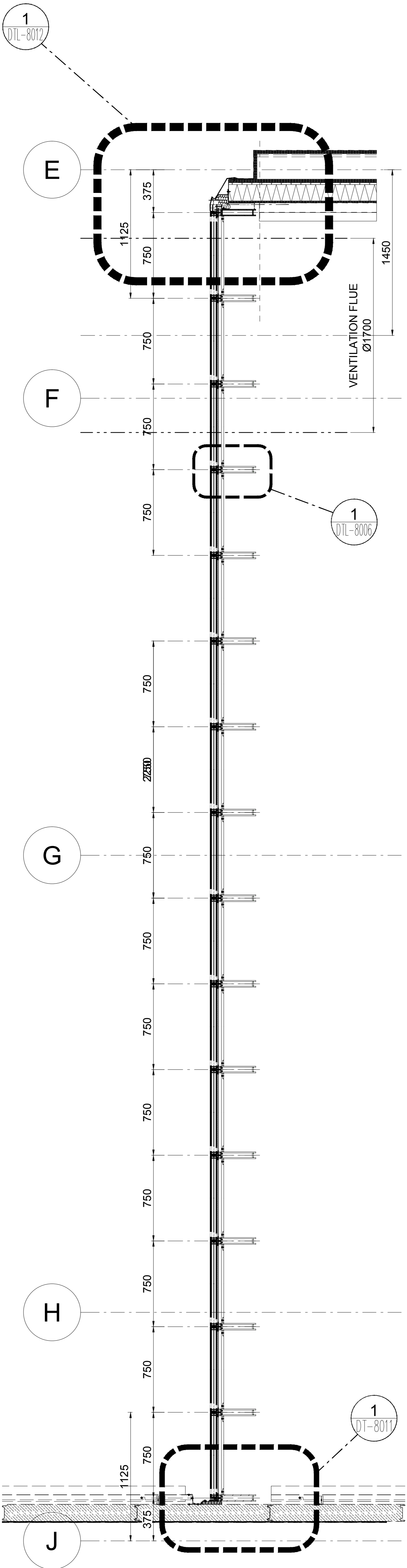
- - - - -

- - - - -

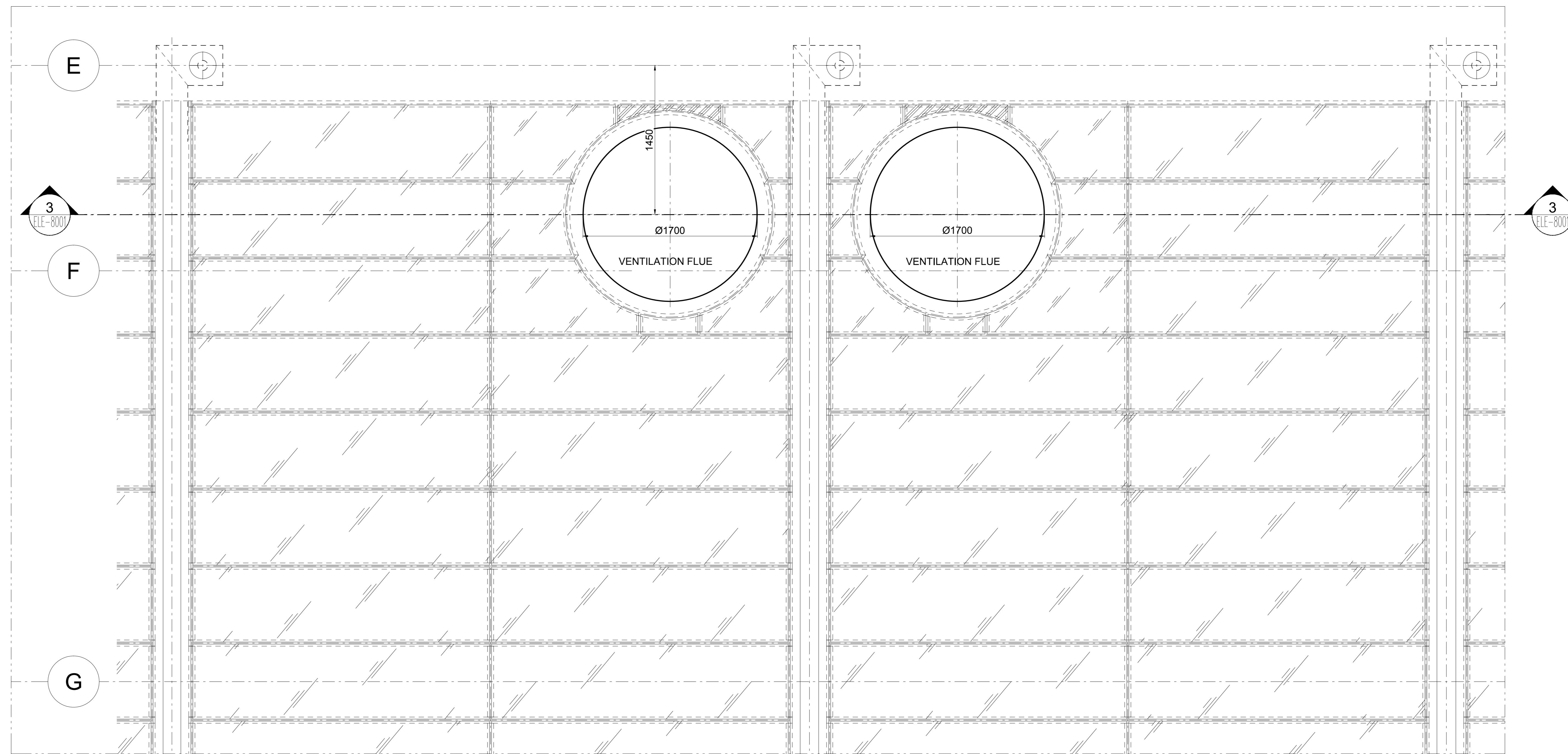
- - - - -

- - - - -

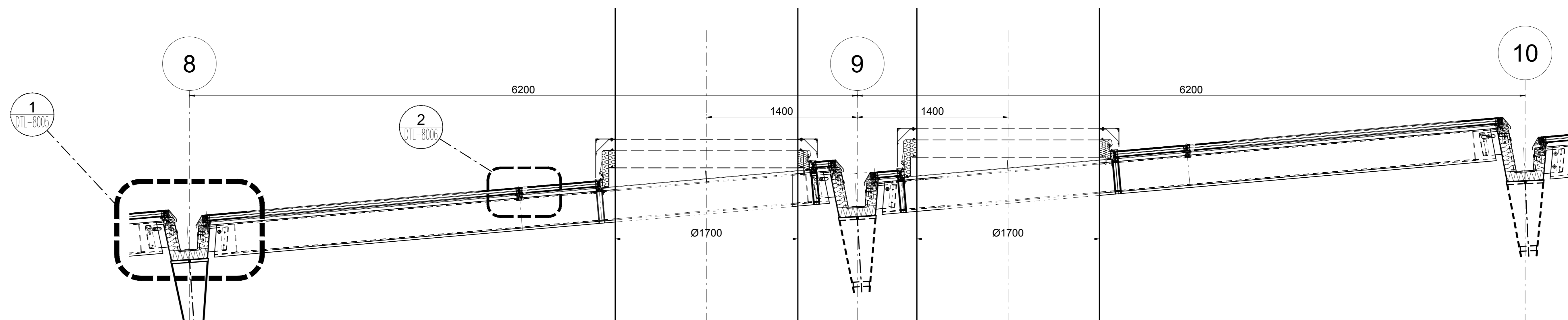
- - - - -



01 TYPICAL CROSS SECTION
ELE-8001 ATRIUM ROOF Scale: 1:20



02 TOP VIEW, TYPICAL BAY
ELE-8001 ATRIUM ROOF Scale: 1:20



03 TYPICAL LONGITUDINAL SECTION
ELE-8001 ATRIUM ROOF Scale: 1:20

Drawn by: ME
Drawn Date: 24-10-2011
Project No: 211P90626
Title: ATRIUM ROOF: TYPICAL BAY: TOPVIEW VERTICAL SECTION

Reviewed by: -
Scale: 1:20
Size: A0

Drawing Number: 3300-LXX-ZX-ELE-8001-C01