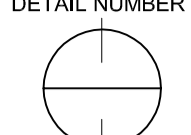


KEY

DETAIL NUMBER

 DRAWING NUMBER

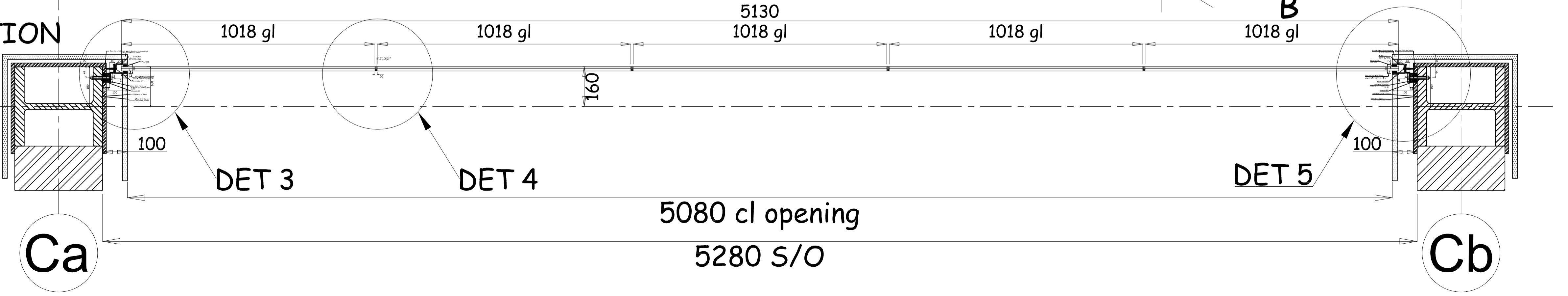
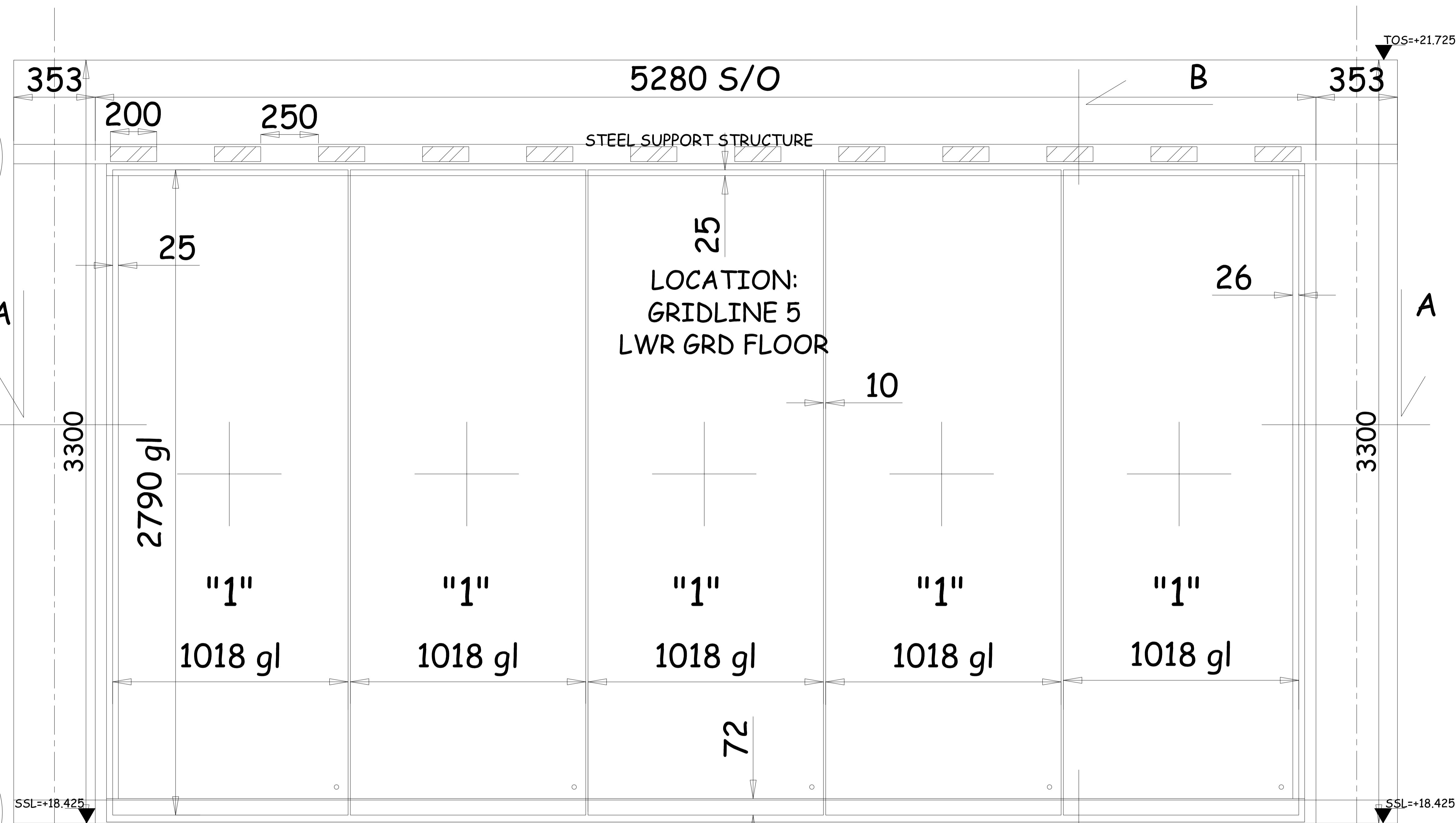
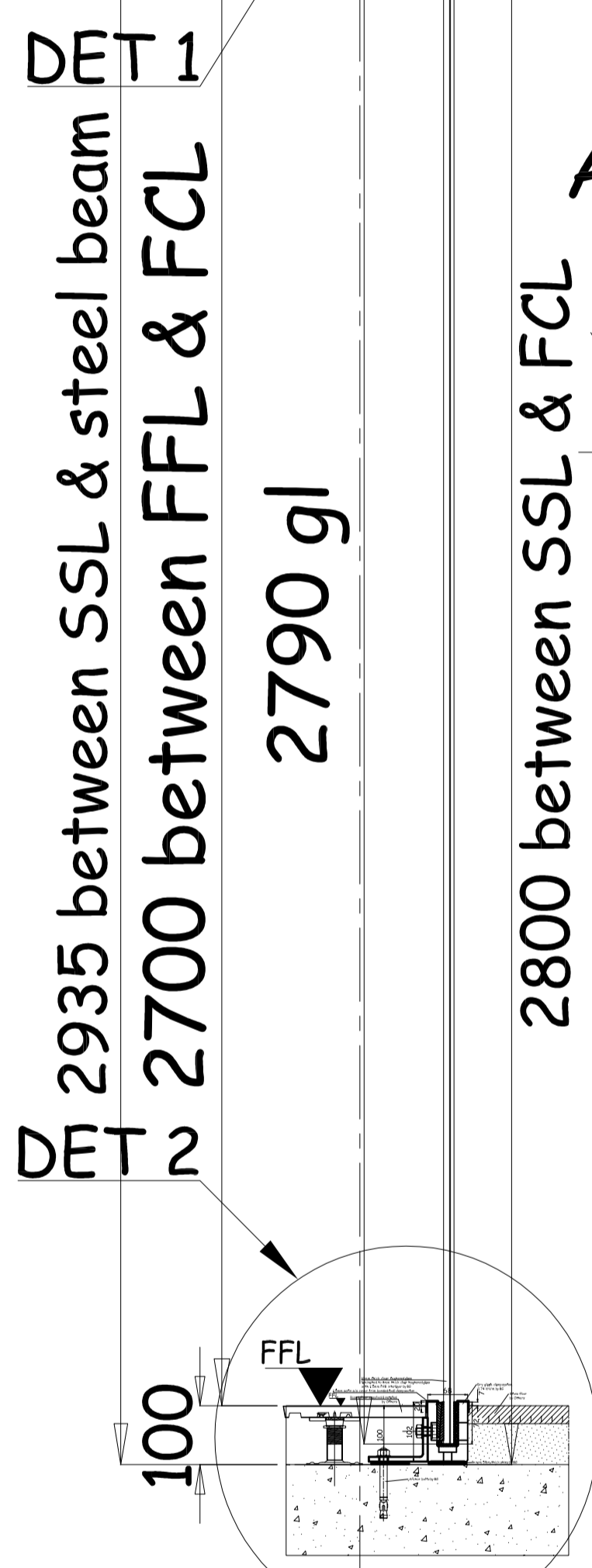
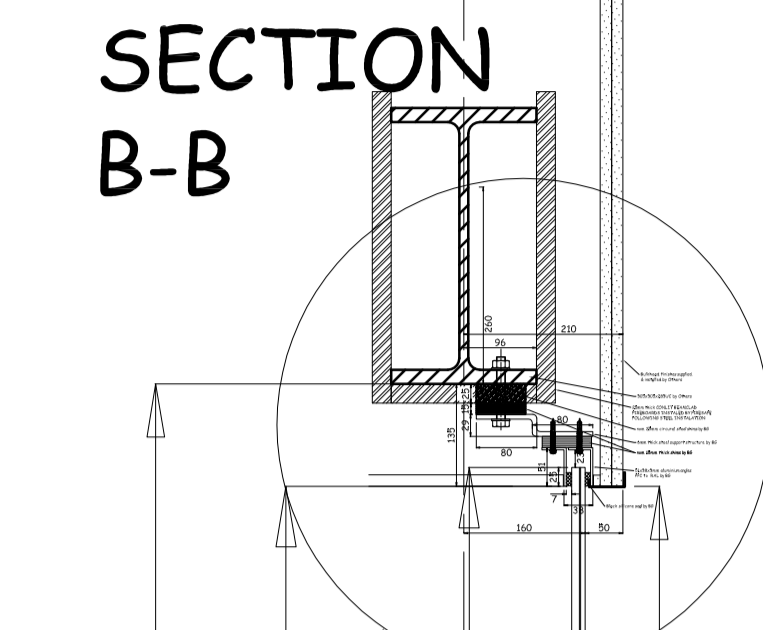
ALL ELEVATIONS ARE VIEWED FROM OUTSIDE
 UNLESS OTHERWISE STATED
 DO NOT SCALE THIS DRAWING

TOLERANCES:

1. UNLESS STATED OTHERWISE ALL GLASS PRODUCTS WILL BE SUBJECT TO THE ACCEPTABLE STANDARDS DETAILED IN THE GLASS & GLAZING FEDERATIONS PUBLISHED LITERATURE.

2. ANY SUPPORTIVE STEELWORK STRUCTURE MUST HAVE EACH CONNECTION HOLE WITHIN +/- 3mm OF ITS DESIGNATED DESIGN POSITION IN ANY DIRECTION.

3. GLASS INSTALLATION WILL BE SUBJECT TO MANUFACTURING TOLERANCES OF +/- 3mm FOR STANDARD GLASS PRODUCTS AND ADDITIONAL INSTALLATION TOLERANCES OF +/- 3mm. INSTALLATION TOLERANCES ARE SUBJECT TO SURROUNDING STRUCTURES BEING INSTALLED TO +/- 5mm OF DESIGN POSITION.



Highlight Status	Approval Status
A	Approved no comment proceed with procurement
B	Amend drawings to comments proceed procurement + re issue drawings
C	Amend drawings to comments + re issue drawings for approval

CONSTRUCTION

INFORMATION AND DETAILS TO BE TREATED IN CONFIDENCE
 NOT TO BE COPIED WITHOUT PERMISSION

birchdale glass ltd



Unit L, Eskdale Road, Uxbridge
 Middlesex UB8 2RT
 Telephone : 01895-259111-Ext.No. 219
 Fax : 01895-250452/270459
 Email : JBassett@birchdaleglass.com

ISSUE	STAGE	T	A	©	AB

REV	DRN	DETAILS	DATE
F	JAB	Scale Amended & Drawing Put Onto New Template	23/07/12

PROJECT
AFRICA HOUSE ATRIUM

TITLE
LOWER GROUND LEVEL SCREEN

DRN: BS	CHKD:	APPD:
SCALES: 1:10 PRINT @ A1	DATE: 29/09/11	
CONTRACT No. 122630		
DRAWING NUMBER		REV
HLN0229/1108655/001b		F