

DETAILS ON THIS DRAWING ARE THE  
COPYRIGHT OF SGS LTD  
AND MUST NOT BE REPRODUCED IN  
WHOLE OR PART WITHOUT PERMISSION

**DO NOT SCALE !!**

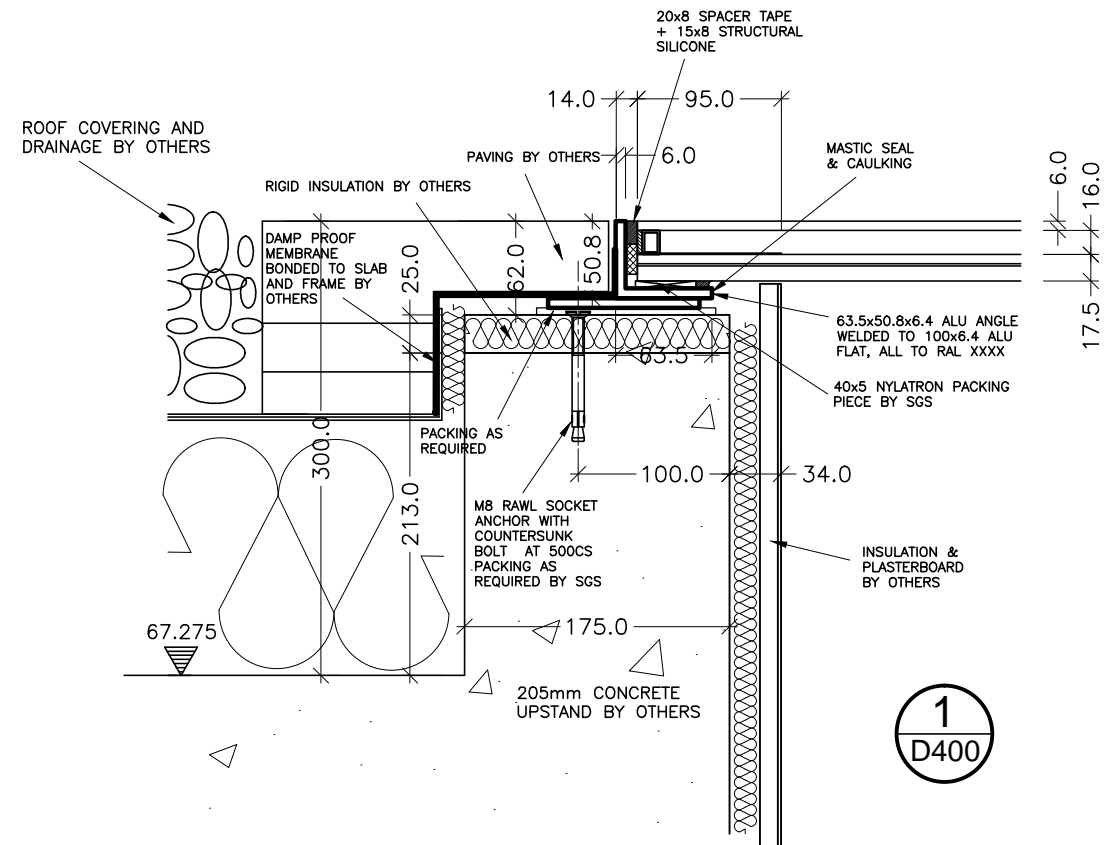
KEY

DETAIL NUMBER  
DRAWING NUMBER

**492**

ALL ELEVATIONS ARE VIEWED FROM  
OUTSIDE UNLESS OTHERWISE STATED.  
STRUCTURE BY OTHERS MUST BE TO  
+/-5mm.

SPECIFICATION



REV	DESCRIPTION	INIT	DATE
-----	-------------	------	------

Project TRINITY WALK, SWISS COTTAGE

Title ROOFLIGHT DETAILS

Drawn	RC	Date	03.07.12
Checked		Scale	1:5 @ A3
Approved			



Structural Glass Solutions

Unit 9-10 HARLESCOTT BARNES Tel: 01743 461122  
March Way, Shrewsbury Fax: 01743 461123  
SY1 3SY E-mail: enquiry@glassolutions.co.uk

Drawing No. 492-D400 Rev. -