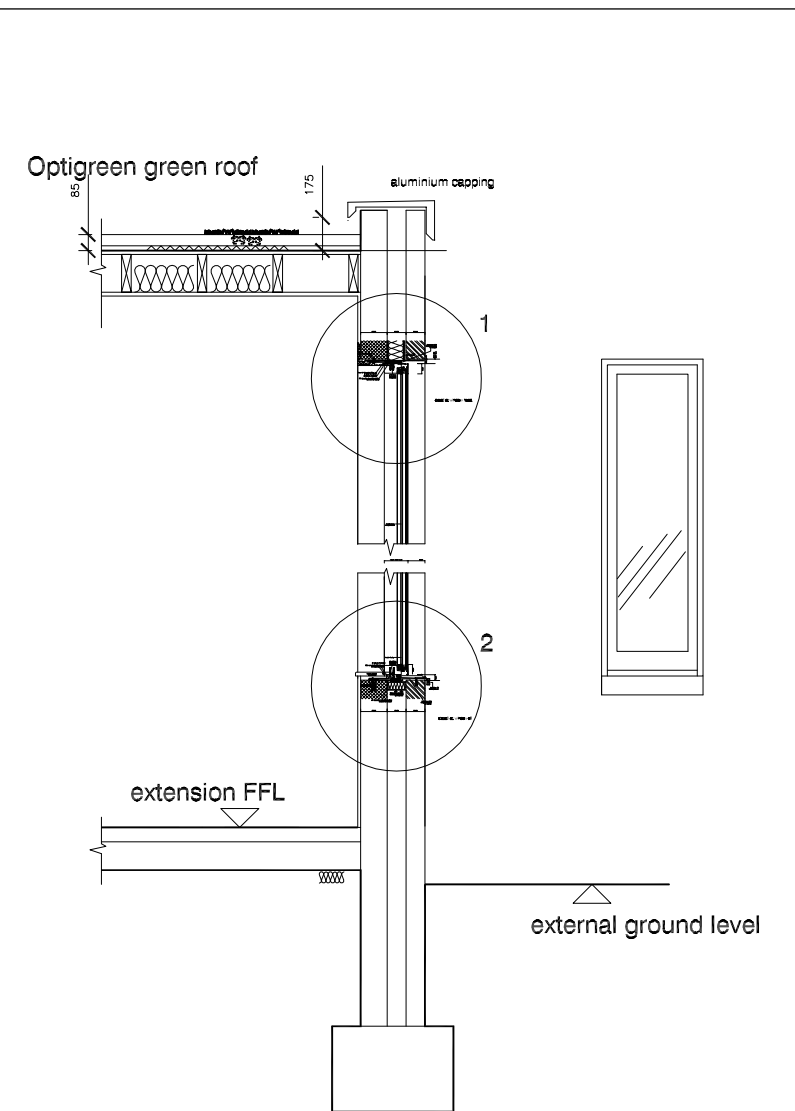


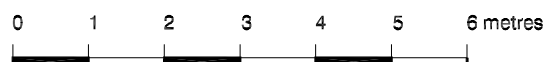


rear elevation as proposed

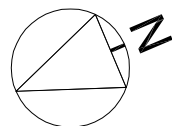


section thro windows

scale 1:20 @ A1



scales 1: 50 @ A1  
1 : 100 @ A3



**DVM**  
ARCHITECTS

4a Murray Street . London . NW1 9RE  
Telephone 0207 485 2121 . Facsimile 0207 267 2527  
e-mail: studio@dvmarch.com

Client  
Mr Kamal Murari

Project  
61A Lancaster Grove  
London NW3 4HD

Title  
Rear Elevations  
PROPOSED

Scale	Date	Job No.
1: 50	01.11.12	1810
Drawing No.	Rev.	
1810-08	C	

All dimensions are to be checked on site.  
© This drawing is copyright and remains the property of David & Victoria Mercer  
at all times and may not be reproduced in part or whole without written consent.