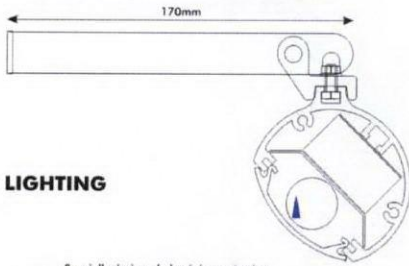
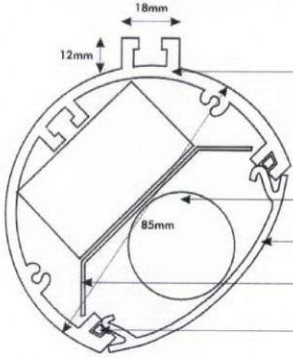


TROUGH LIGHTING ON ARM



SECTION OF TROUGH LIGHTING



Specially designed aluminium extrusion up to 6150mm (20 feet) lengths which can be joined together using cast aluminium connectors. Screw on cast aluminium end caps. Choice of adjustable or tubular fixing brackets.

Philips T8 triphosphor lamp giving good light output combining with excellent colour rendering.

Clip in high output diffuser for easy tube maintenance.

Mirror reflector for high performance output.

Rubber seal for rain proof performance.



bullet



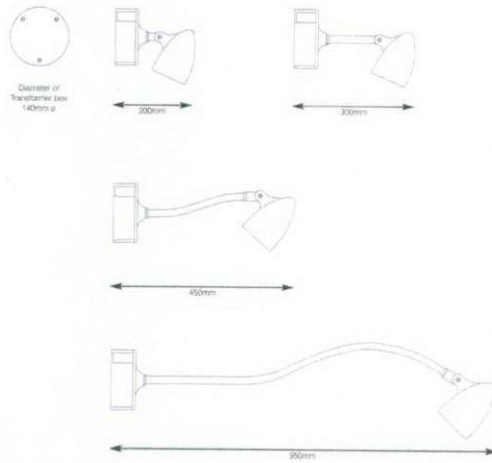
standard features

- Die-cast aluminium head and transformer casing
- Steel projection arm
- Screw on cap for easy lamp maintenance
- Philips 50 watt dichroic halogen low voltage lamp
- Swivel head for directing light output
- Sealed and rated to IP65
- For both up or down lighting applications
- Choice of 4 projections
- Choice of 3 finishes - black, white or gold
- Ex-stock, next-day delivery

options

- BS or RAL colours upon request
- Non-standard projection brackets on request

technical specification



insignia
SIGN AND SERVICES LIMITED
t: 0113 243 8833 f: 0113 243 8733
email: sales@insigniasigns.biz
www.insigniasigns.biz

CUSTOMER	n/a	DATE	31/08/05
TITLE	Trough Light	SCALE	not to scale
ADDRESS	n/a	AMENDMENTS	

42 w Low Energy Flood lights

insignia
SIGN AND SERVICES LIMITED
t: 0113 243 8833 f: 0113 243 8733 e: sales@insigniasigns.biz / www.insigniasigns.biz

