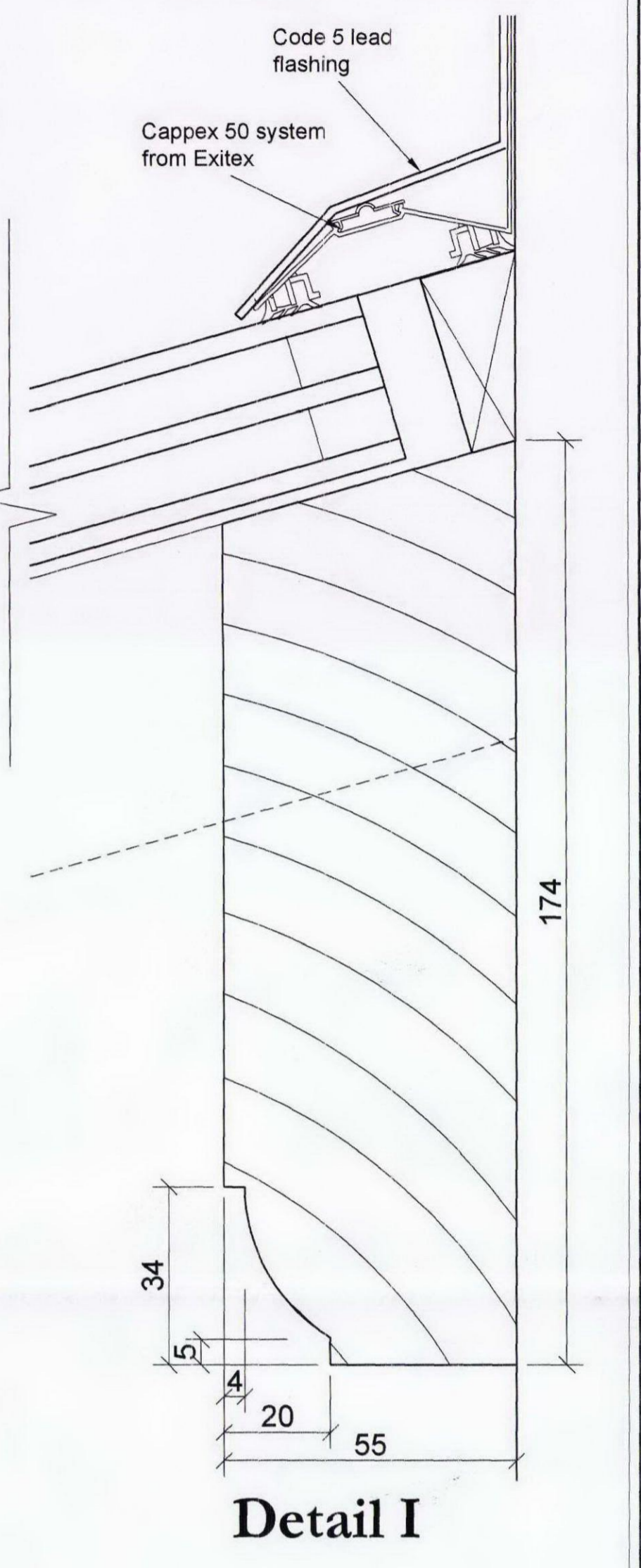
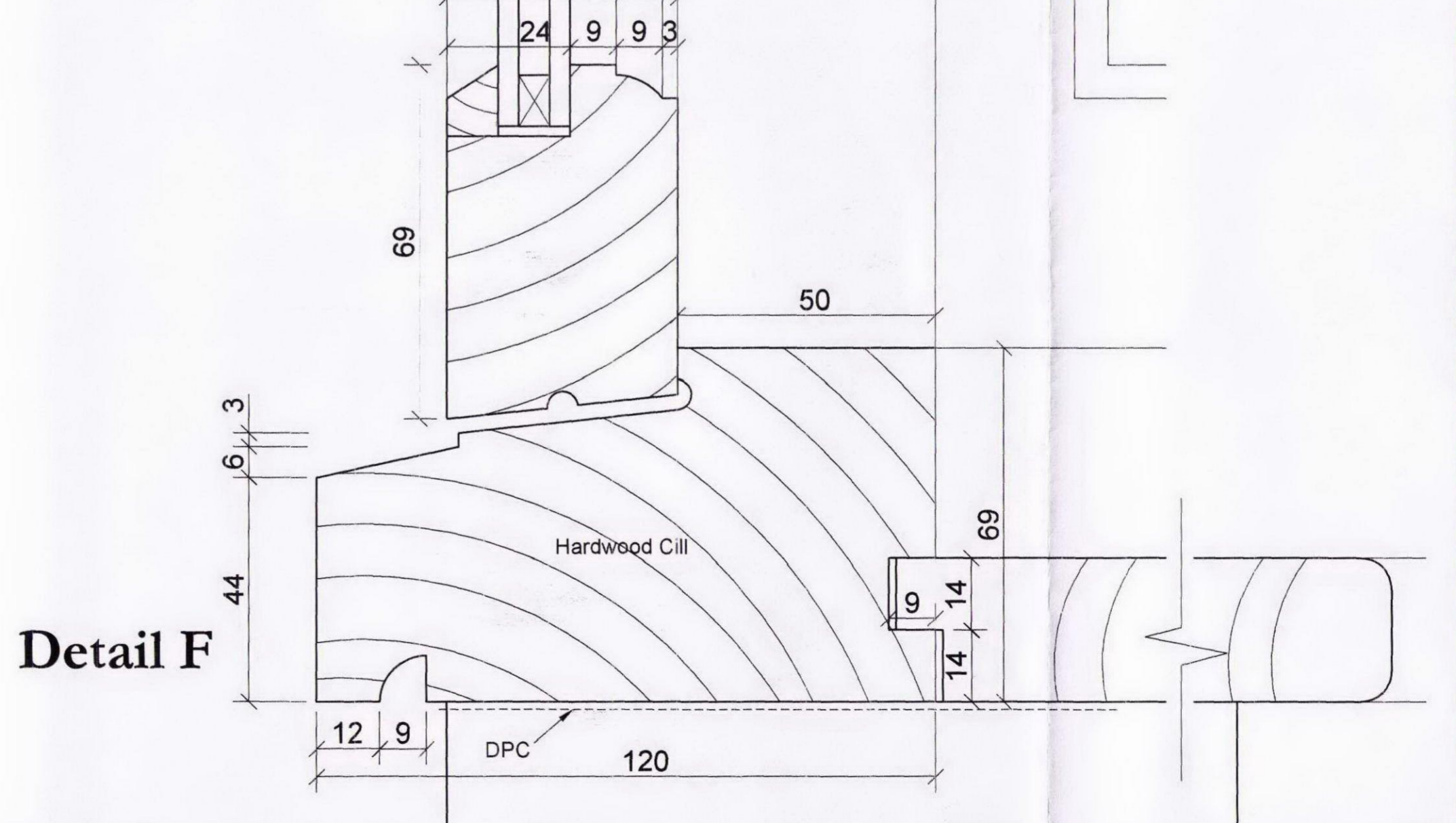
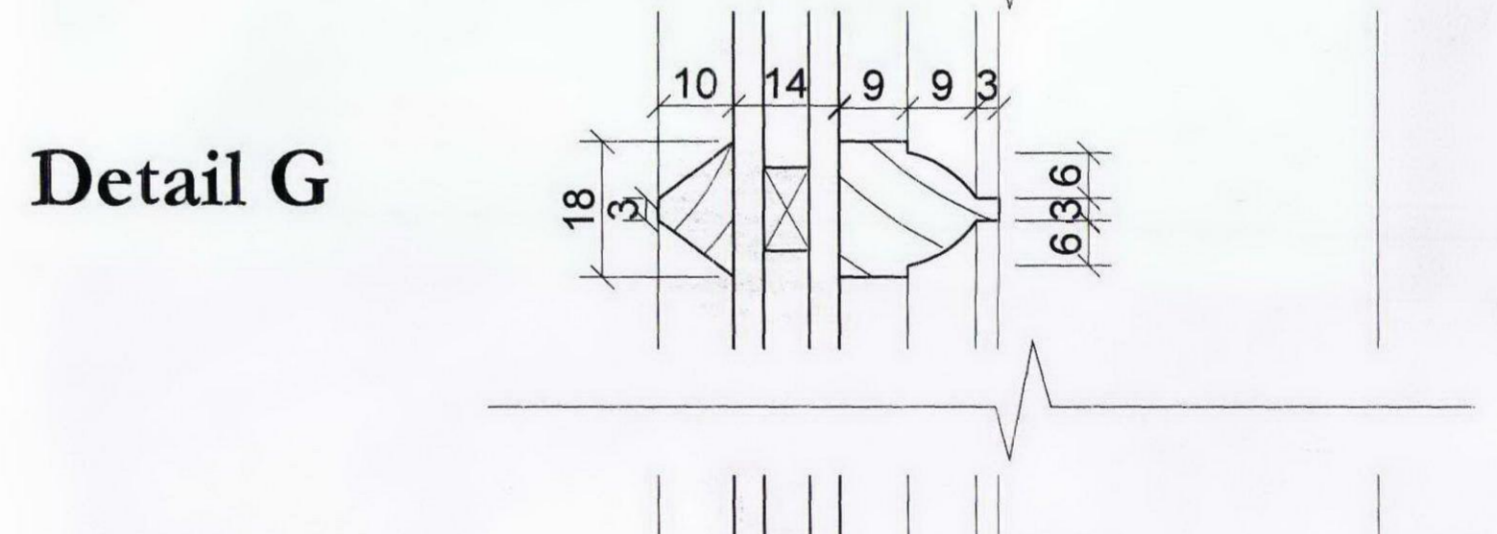
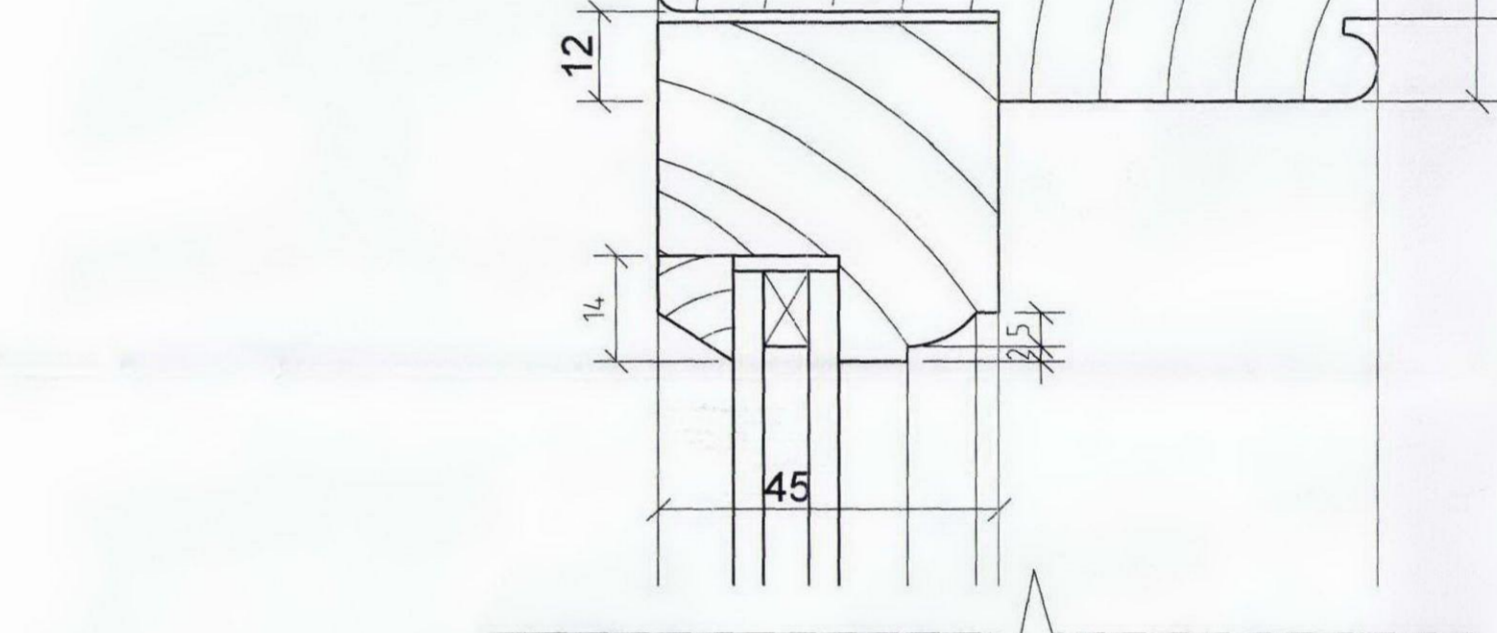
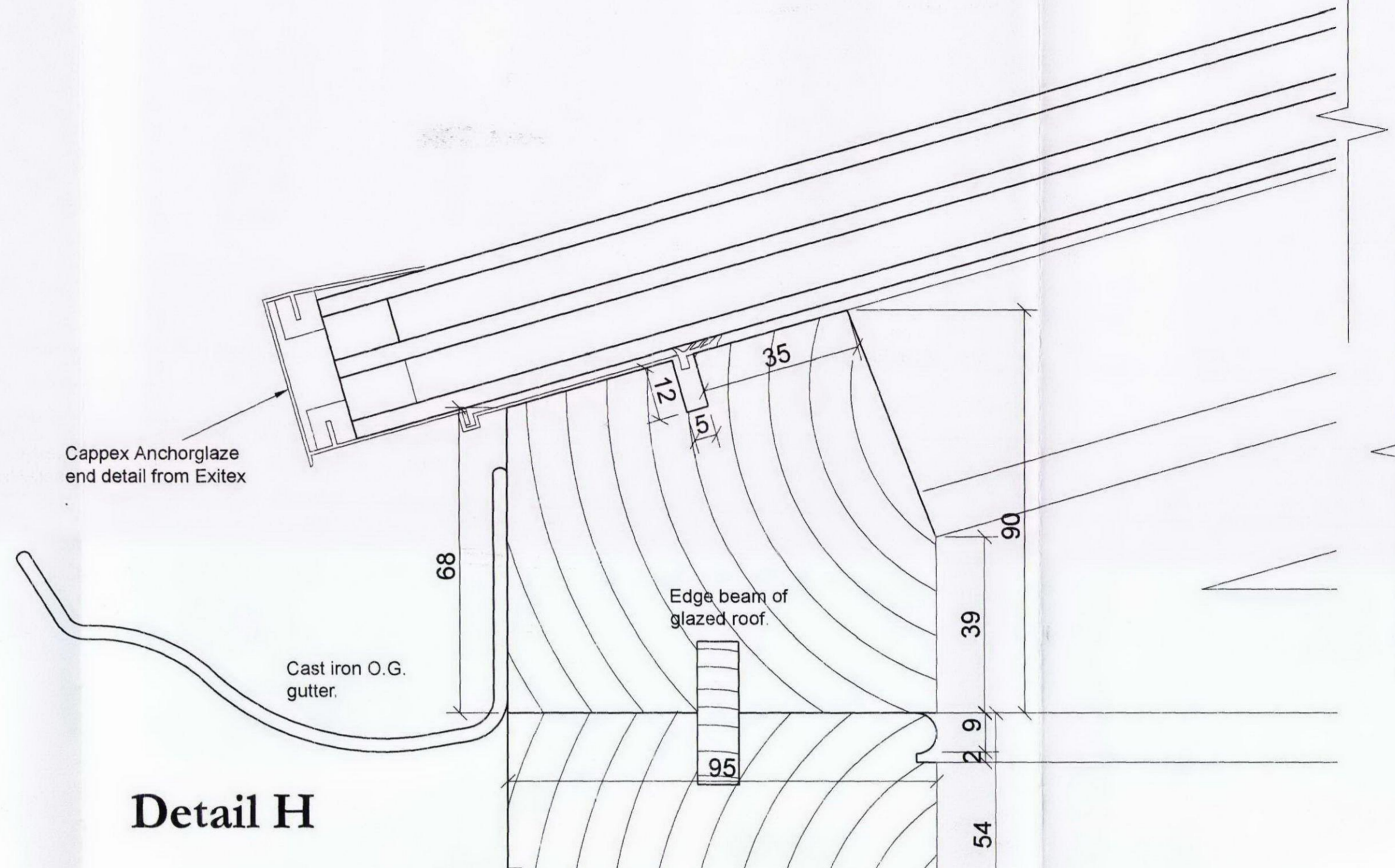
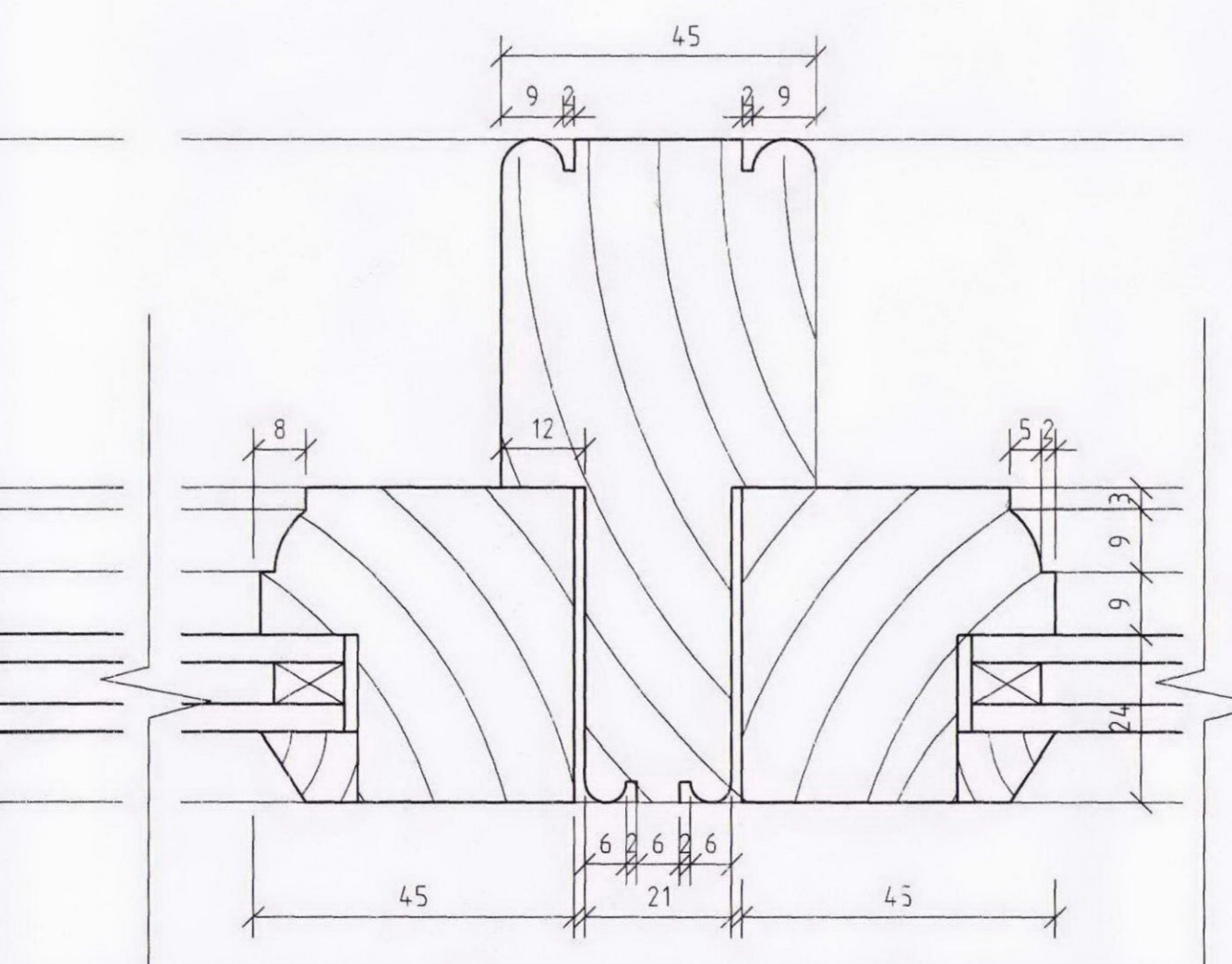
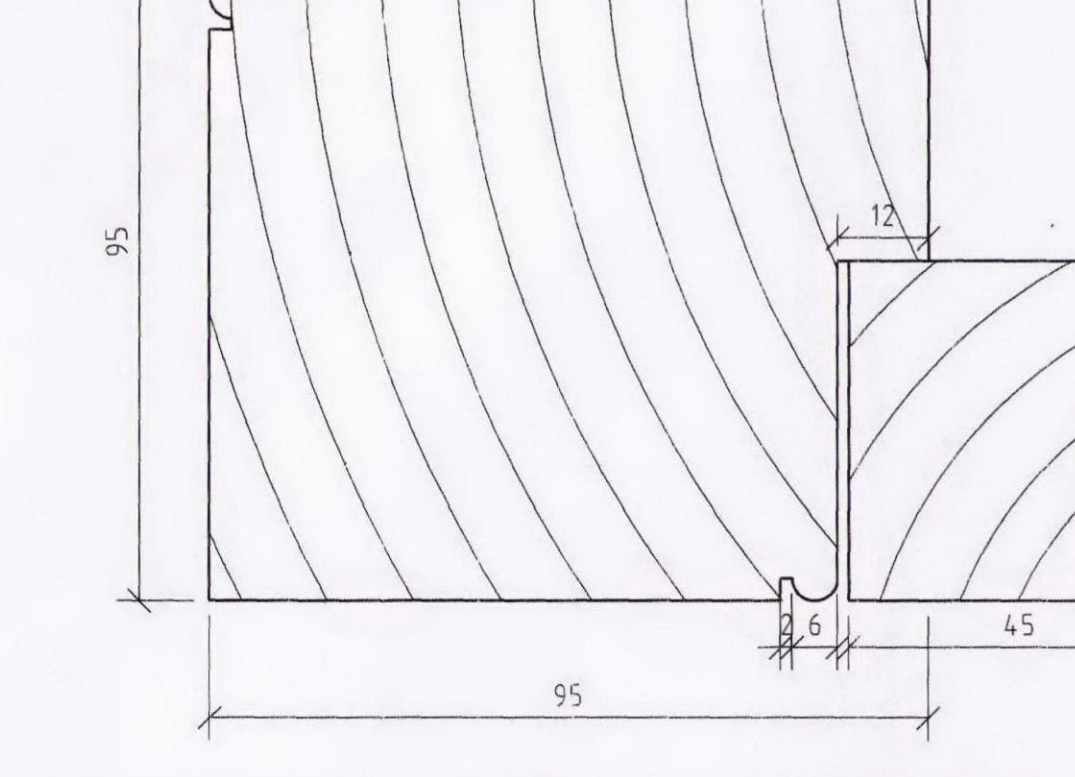
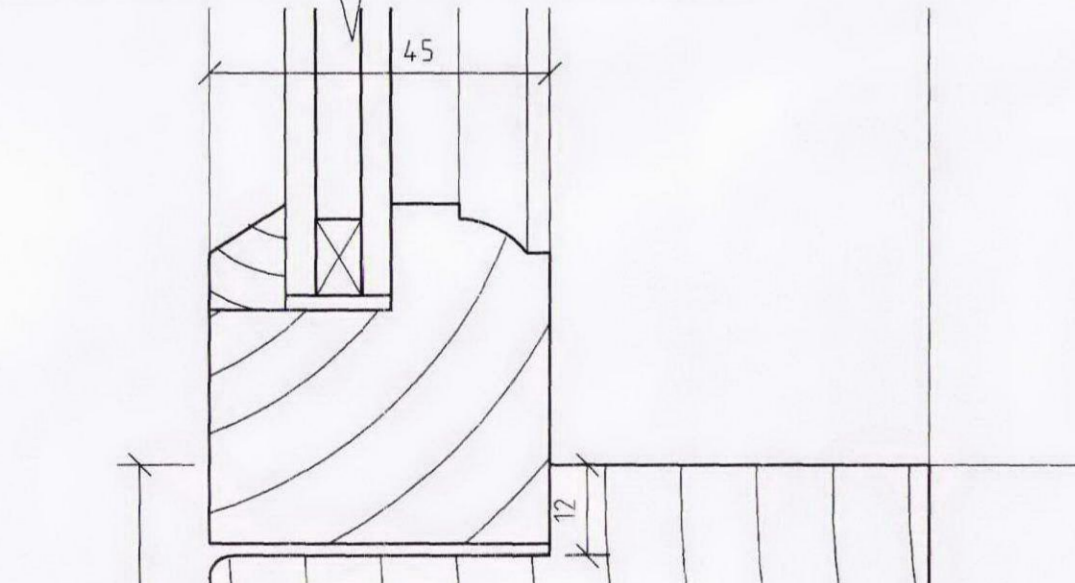
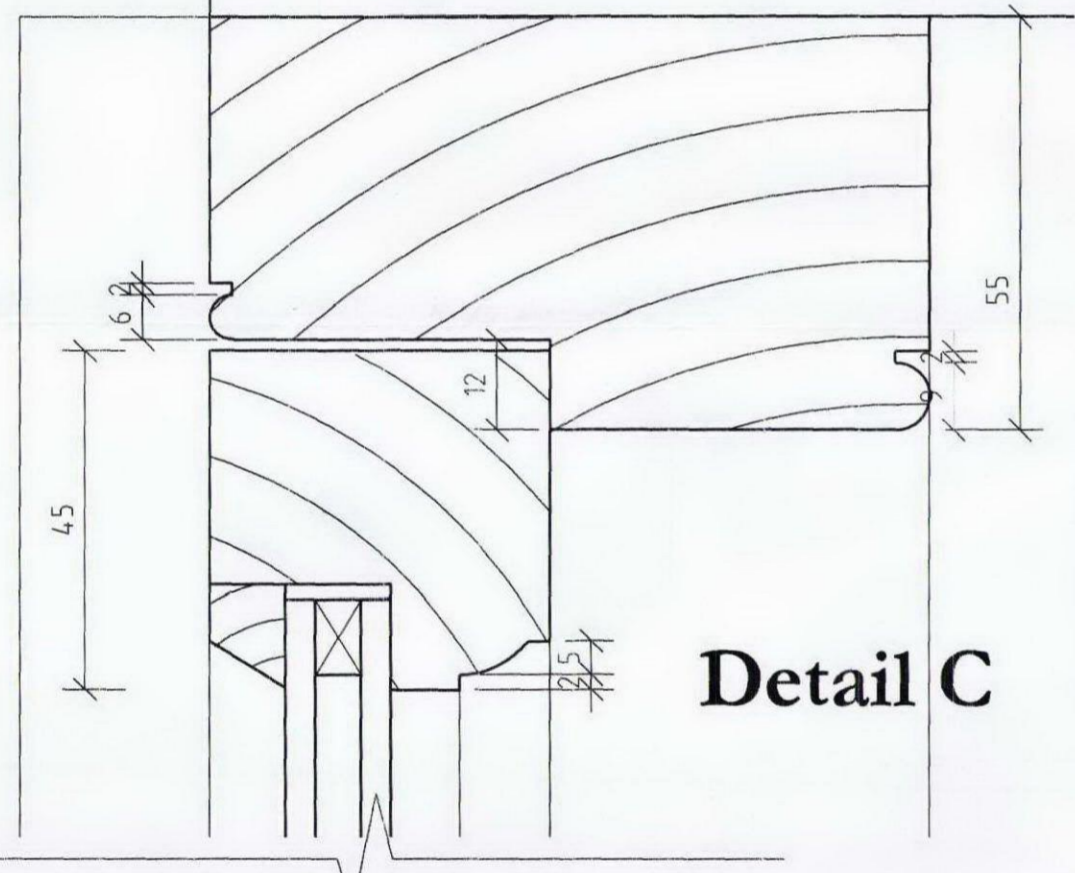
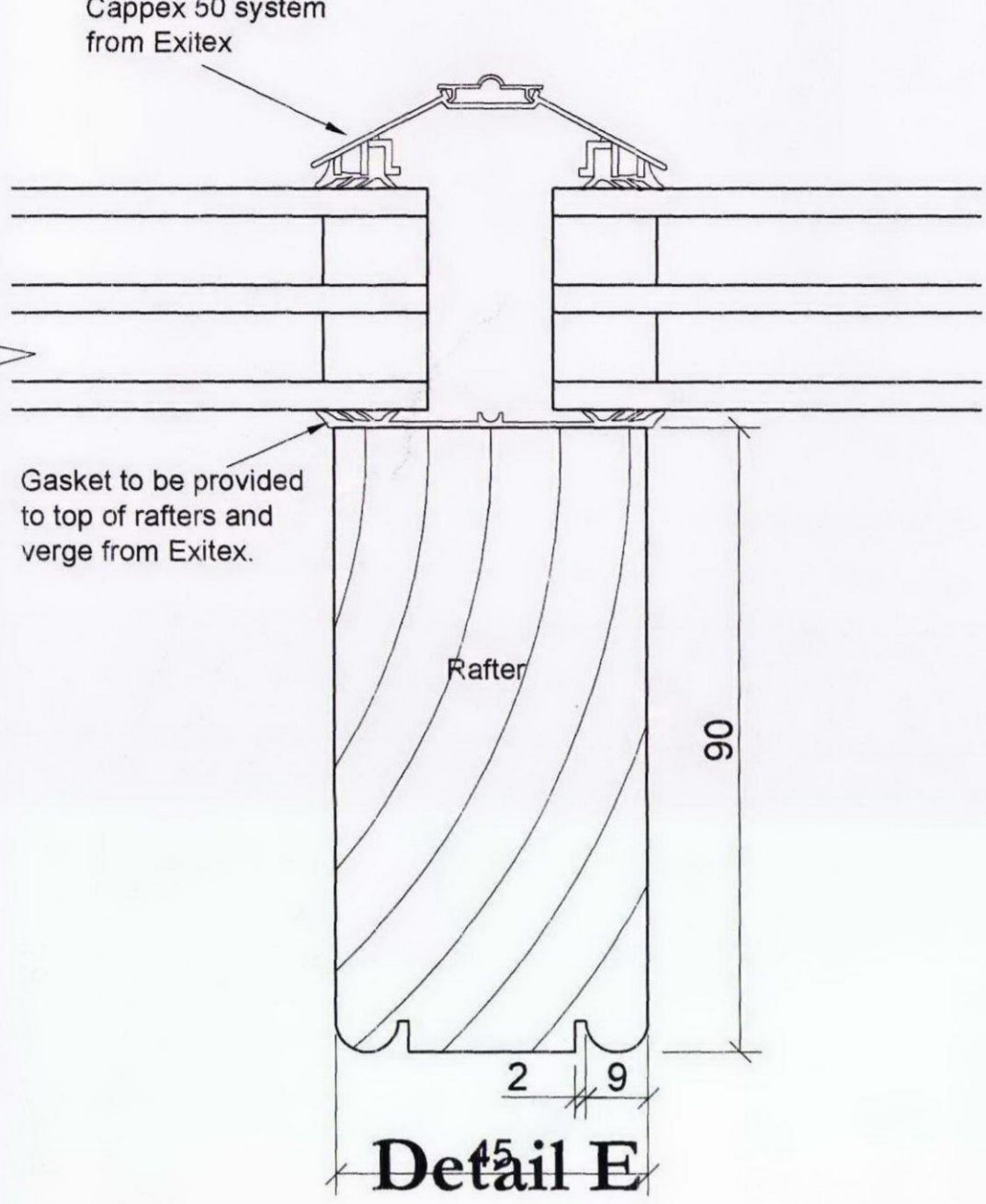
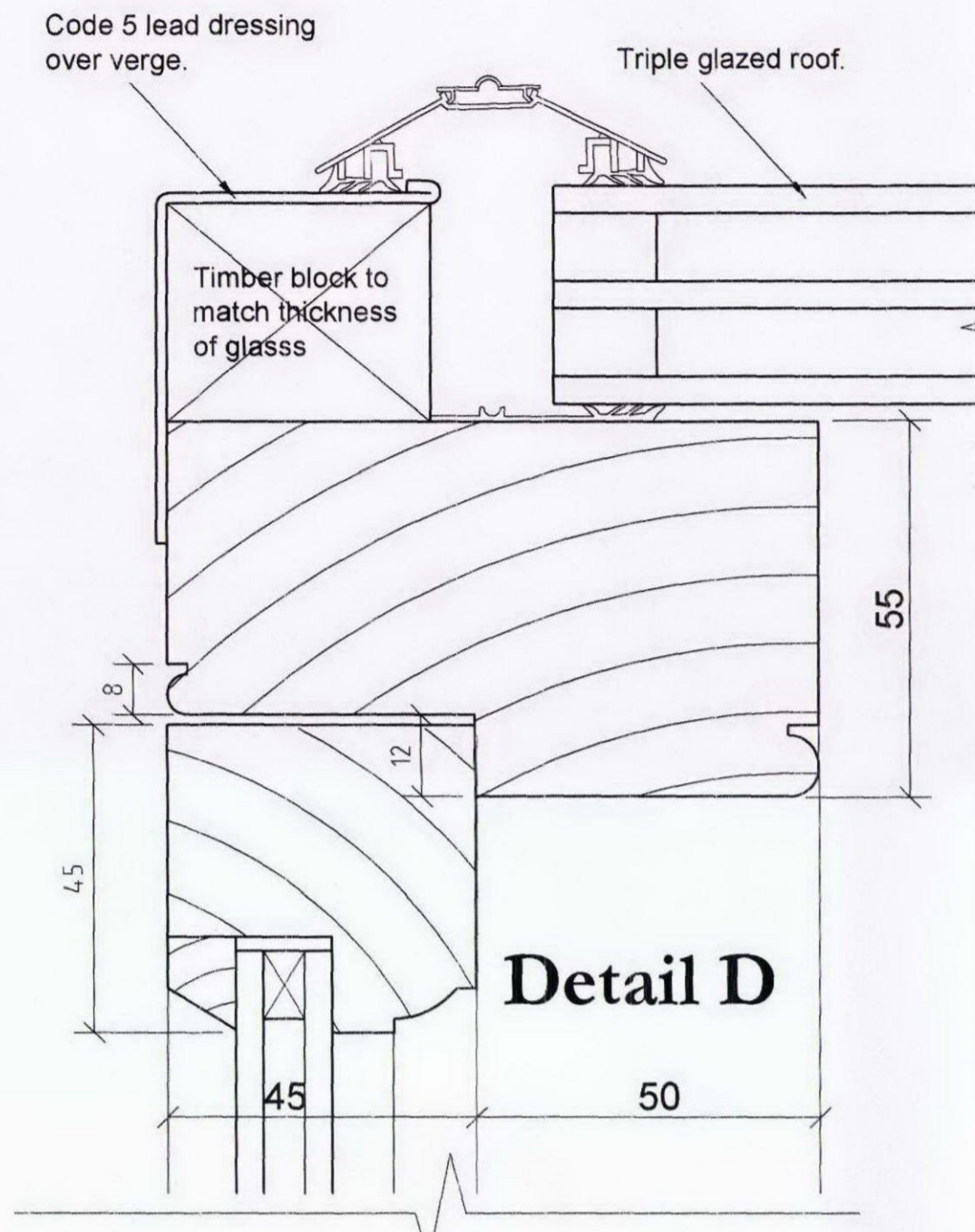


50 Albert Street, Camden

General Notes:
 DO NOT SCALE FROM THIS DRAWING
 Drawing indicates general arrangement of the scheme and is not to be used to set out joinery. All dimensions are to be taken from site following removal of existing structure.
 Any discrepancies are to be reported to the Architect immediately.



Project: 50 Albert Street, Camden
Client: Mr Middleweek
Title: Conservatory joinery details (Drawing 2 of 2)
Drawing No.: ASC/12/ 15
Scale: Full sizes @ A1
Date: September 2012
Drawn: MB & DS
Amendments:

Anthony Swaine
 ARCHITECTURE LTD
 Conservation • Design Consultancy • Listed Buildings
 Urban Design • Joinery Detailing • Traditional Shopfronts

The Bastion Tower 16 Pound Lane Canterbury CT1 2BZ
 Tel. (01227) 462680, Fax. (01227) 472743
 Email: mail@anthonyswaine.co.uk
 www.anthonyswaine.co.uk

This drawing and all information herein is copyright and remains the property of the Architect. Permission must follow any breach of copyright. This drawing is for guidance purposes only and/or for obtaining Local Authority consent. No responsibility will be taken by the Architect where clients and/or builders or persons proceed with the project without the supervisory services of the Architect, or who copy and/or use any drawings, sections, or other parts, in whole or in part, without the Architect's authority or consent. The Contractor is responsible for verifying all dimensions shown hereon and for obtaining the approval of any discrepancies before putting off-site work in hand. No claims will be entertained for demolition, alteration or making good of any work which may be required by the Architect resulting from the Contractor's failure to observe any of its instructions.