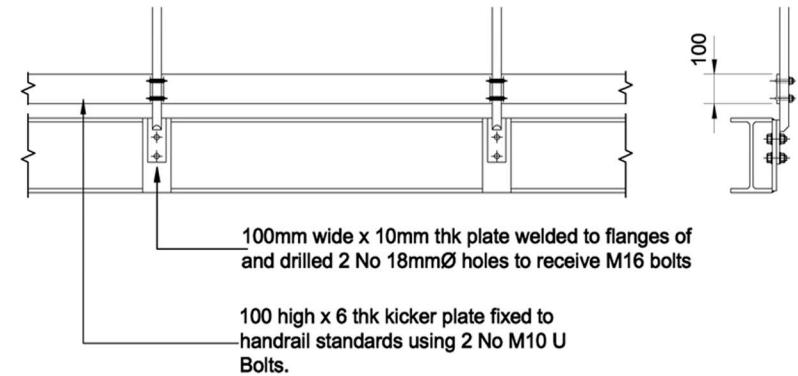


**Metal Stainless Steel & Glass Balustrade**

- Component material and finish as delivered :  
 Posts : 50mm diameter stainless steel  
 Handrail : 50mm diameter stainless steel mounted in line with the posts  
 Infill : 10mm thick clear toughened glass 188 panels mounted in line with the balustrading with the glass clamping system  
 Finish : Satin / Mirror
- Other requirements :  
 Balustrade designed to satisfy a 0.74kN/m or a 1.8kN/m design load depending on the application
- Fixings :  
 4 point base fixing plate top mounted to the stair or void with fixing cover flange
- Stairs :  
 13 going 225 mm each, 14 risers @ 192.85 mm each, pitch @ 40.34 deg.  
 Handrail height at landing 1100mm and on stairs 900mm. All stairs to comply with AD 10 and 14.



## . DETAILS FIXINGS - STEELWORK CONECTIONS

Client: Mr. and Mrs. Akhtar Address: 70, Great Russel Street, London	Drawing Dr. No: DT/LP/07	Date: 23-02-2013	Drawing Title Proposed Dental Surgery Layout staircase details	This drawing is a property of Ann designer Living and cannot be used by any third party except the client .	The proposed space planning of the site. Ground Floor includes Reception /waiting , Office, Surgery 1, Hallway
	Dr. By: AV	Scale:			