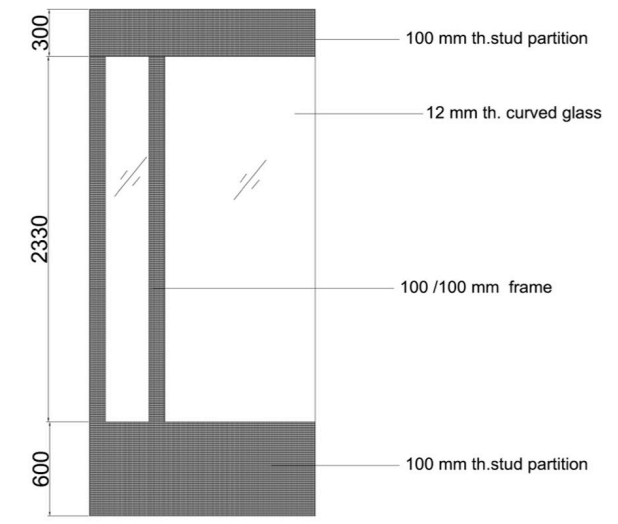
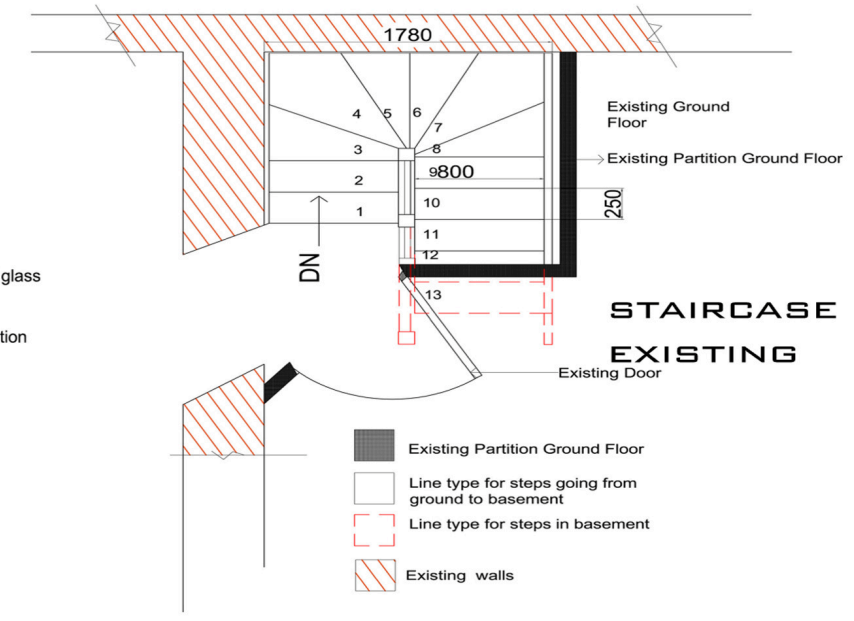


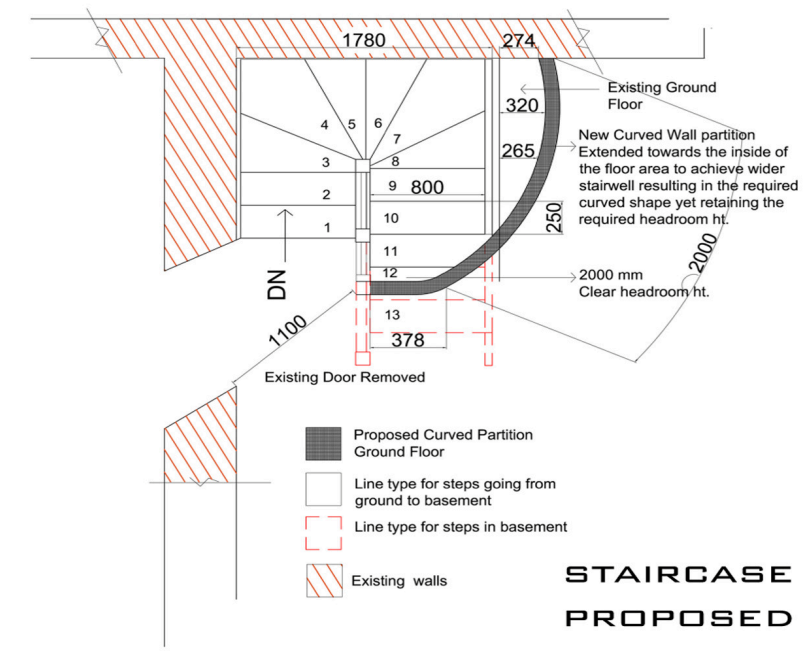
**Plan Curved Glass partition**



**Elevation Curved Glass partition**



**STAIRCASE EXISTING**



**STAIRCASE PROPOSED**

<b>Client:</b> Mr. and Mrs. Akhtar	<b>Drawing</b>	<b>Date:</b>	<b>Drawing Title</b>	This drawing is a property of Ann designer Living and cannot be used by any third party except the client .	The proposed space planning of the site. Ground Floor includes Reception /waiting , Office,Surgery 1,Hallway
<b>Address:</b>	Dr. No: DT/LP/08	23-02-2013	Proposed Dental Surgery Layout		
70, Great Russel Street,London	Dr. By: AV	Scale:	staircase details		