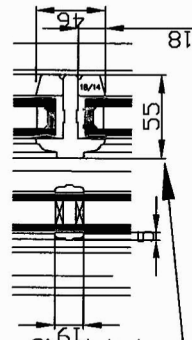
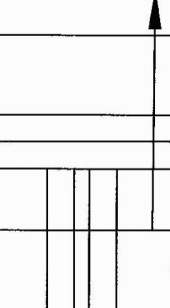


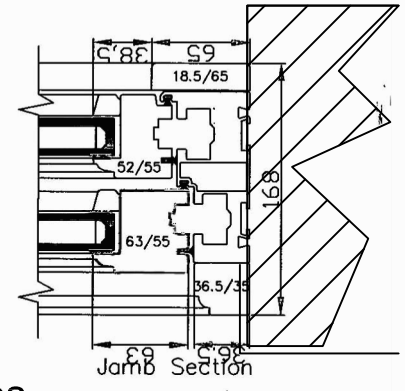
Traditional Beaded Divided Light Section



Simulated Divided Light Section

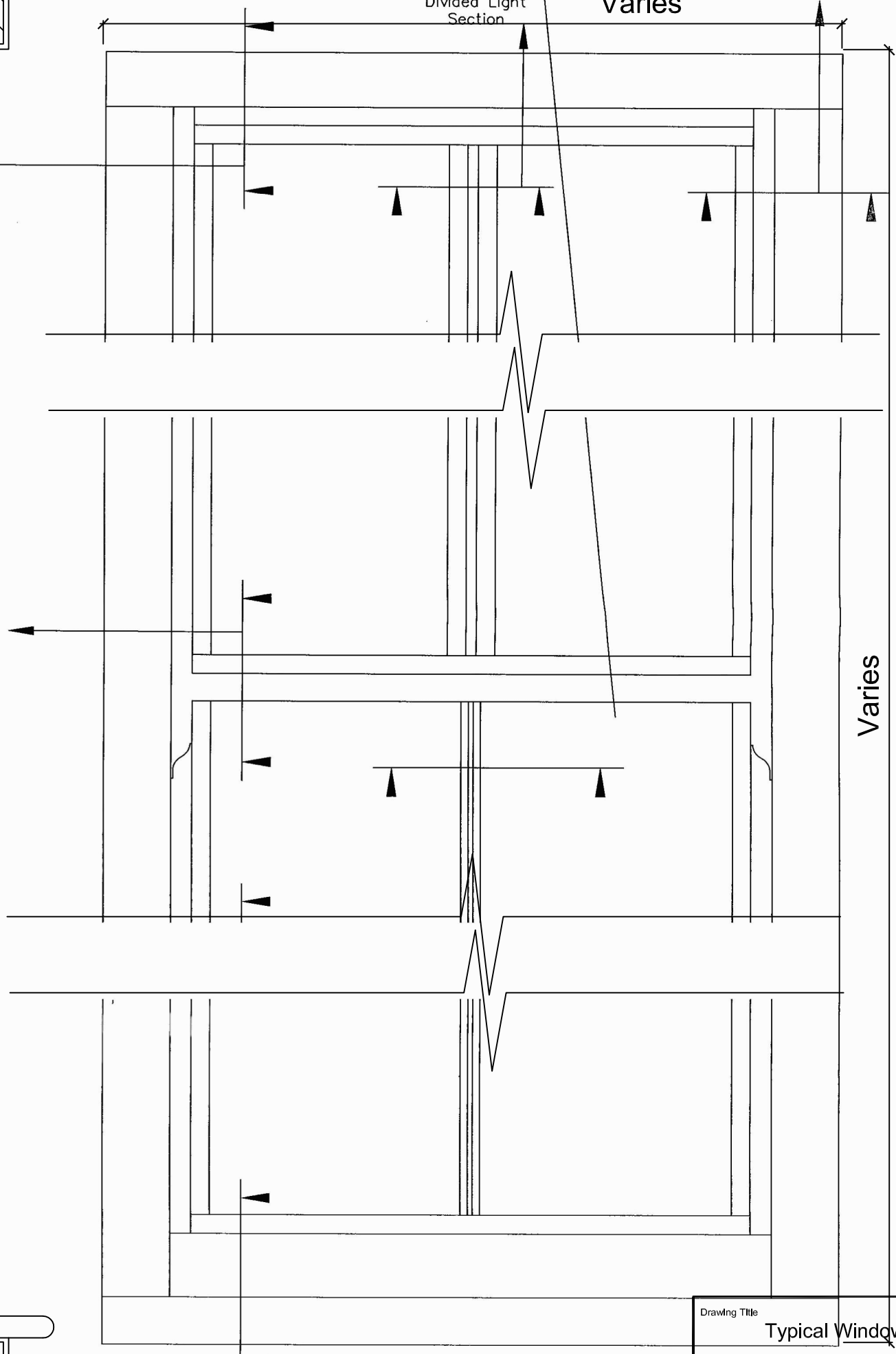


Varies

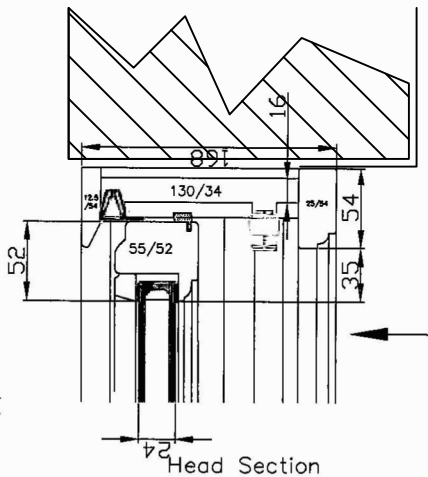


Jamb Section

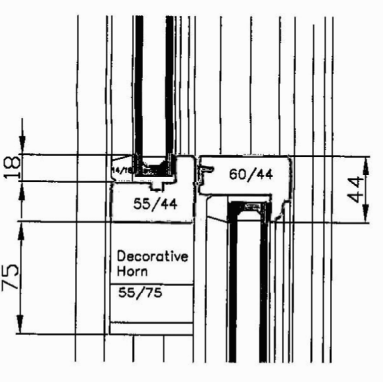
Varies



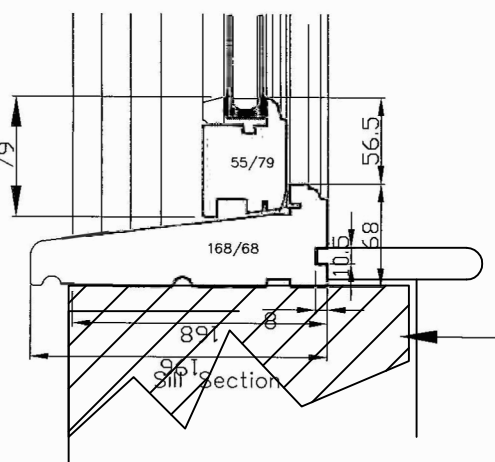
Section Details



Head Section



Meeting Rail Section



Sill Section

Drawing Title		Typical Window Sections	
Address		59 Rochester Road, London, NW5 2JY	
Project Number	205-12	Drawing Number	
Scale	1:5@A3	Sheet No.	
Date	08/03/13	Rev.	
Revised		205-12-24	
Revision			