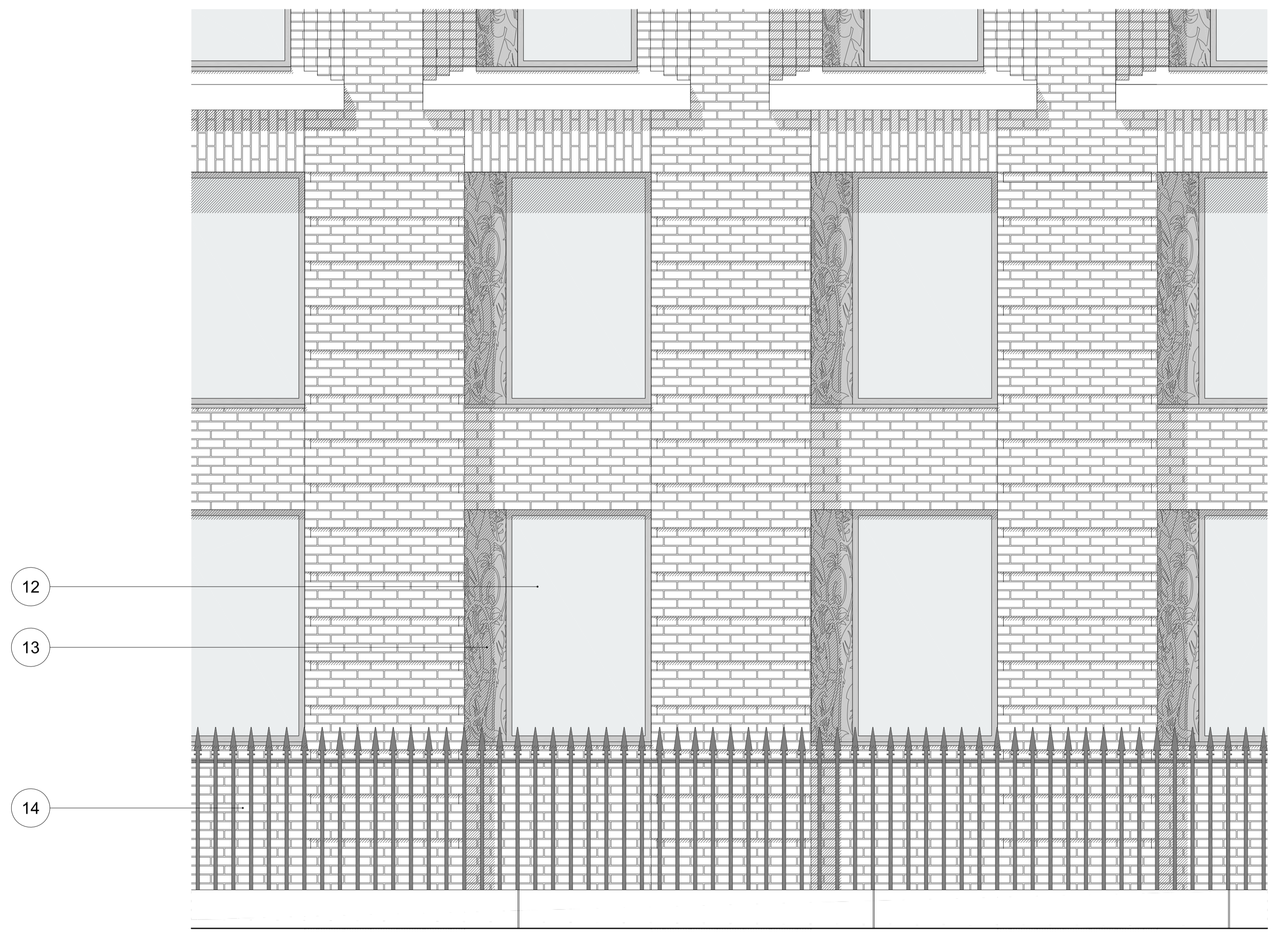
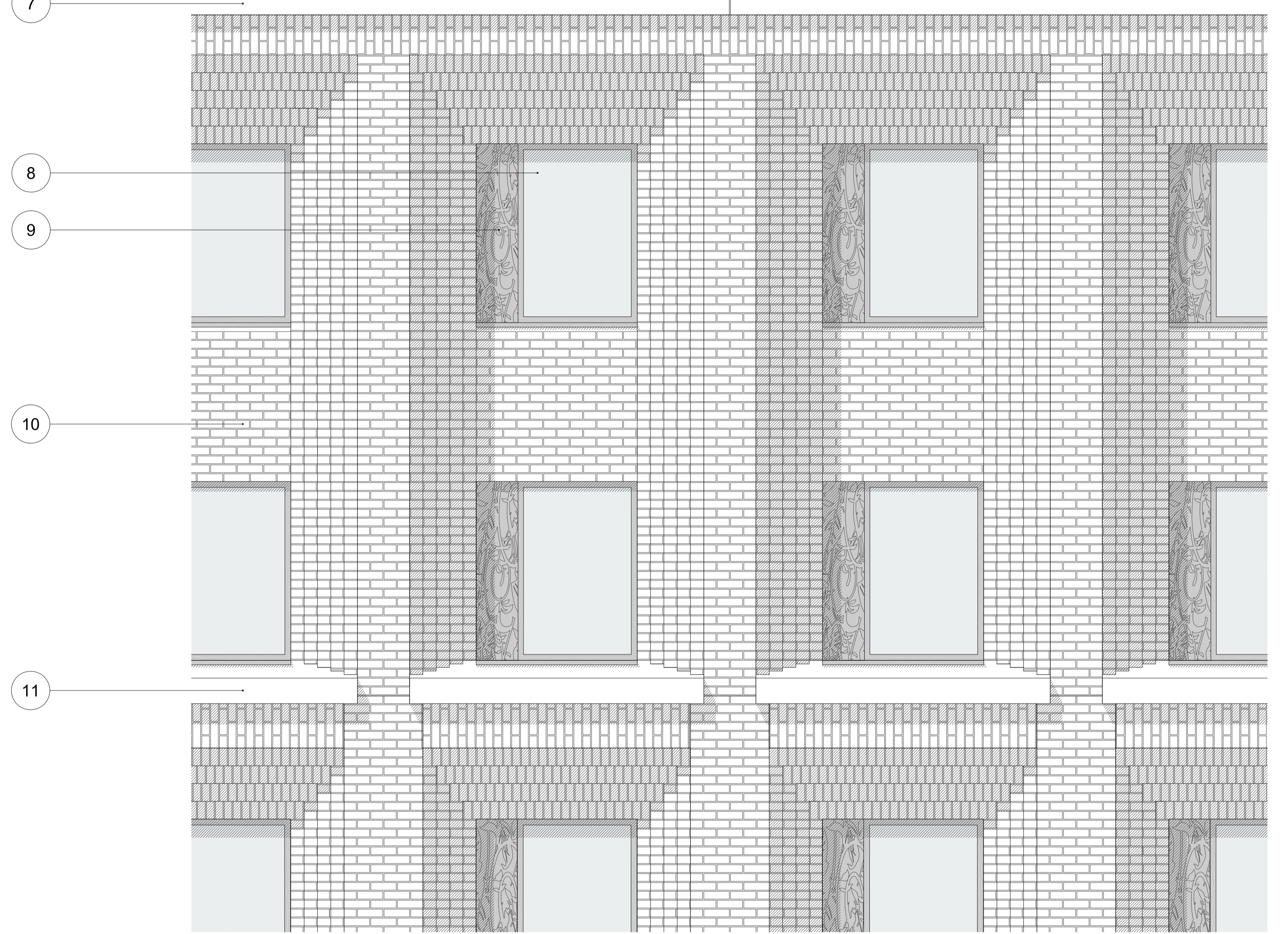
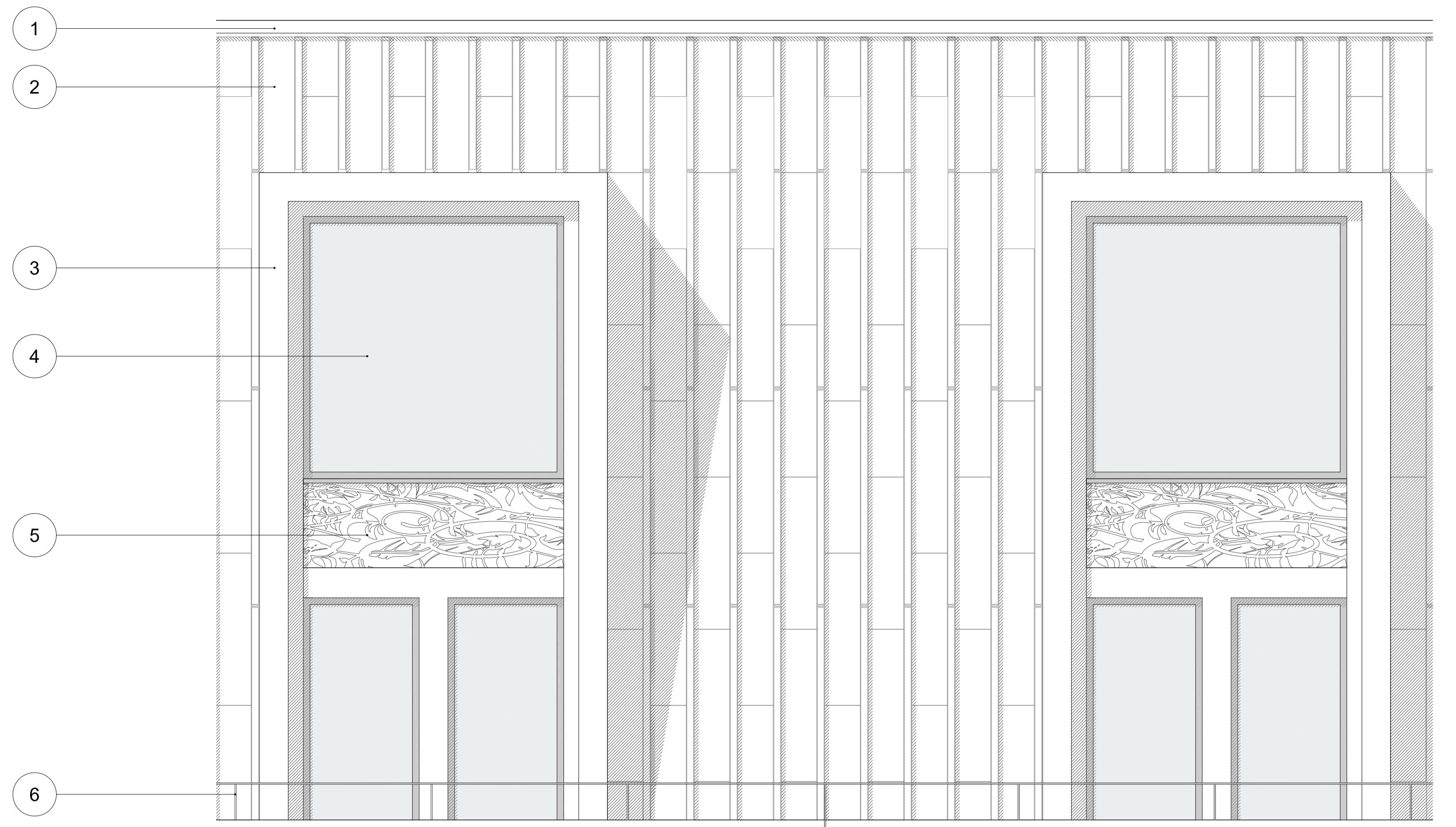
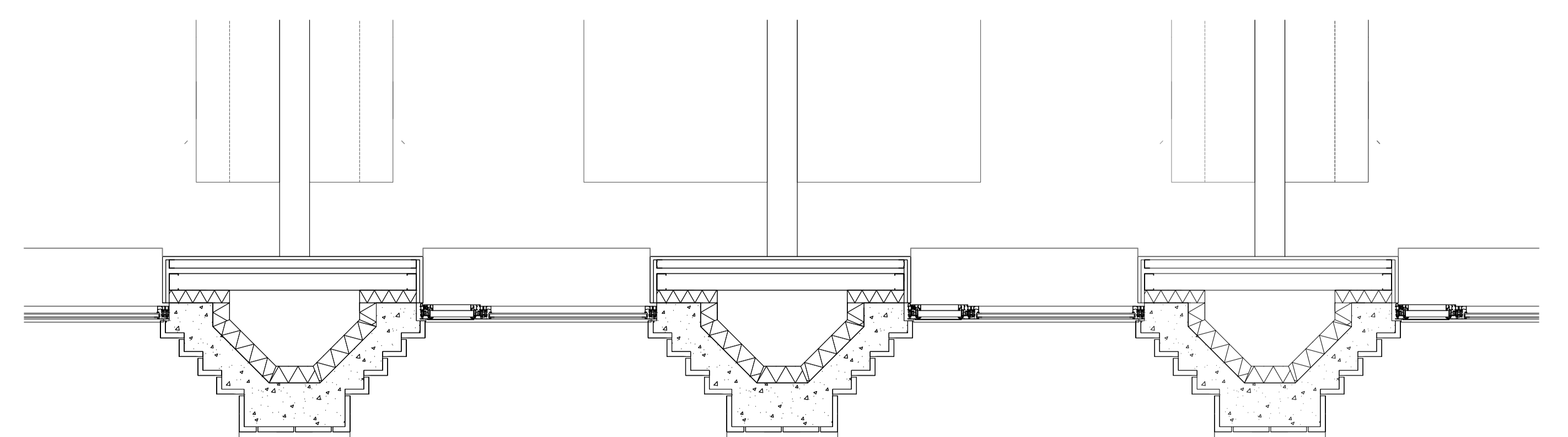


Section

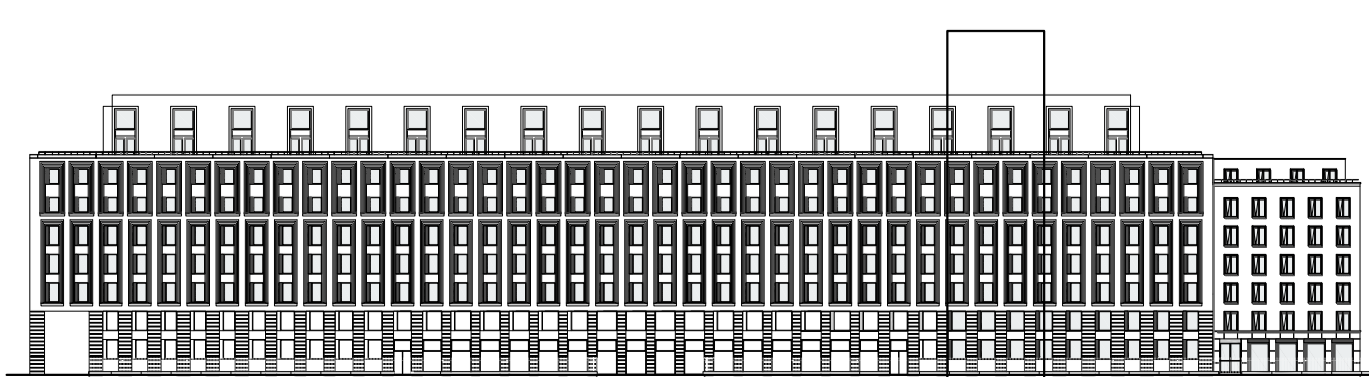


Elevation



Plan

Elevation Key



Materials Key

- | | | | |
|----|---|----|---|
| 1 | Light glazed terracotta coping | 12 | Fixed bronze anodized aluminium window to ground and first floors |
| 2 | Light glazed terracotta | 13 | Fixed bronze anodized aluminium laser cut decorative panel over inward opening vent panel (indicative floral pattern shown) |
| 3 | Cast stone surround to dormer | 14 | Painted metal railings and gates with stone base |
| 4 | Fixed powder coated aluminium window to dormer | 15 | Powder coated aluminium coping |
| 5 | Cast stone spandrel panel to dormer (indicative floral pattern shown) | 16 | Dark facing brickwork with light mortar joints |
| 6 | Painted metal handrail to parapet | 17 | Dark facing brickwork with dark mortar joints |
| 7 | Cast stone coping | 18 | Inward opening powder coated aluminium window |
| 8 | Fixed powder coated aluminium window | 19 | Cast stone reveal to windows |
| 9 | Fixed powder coated aluminium laser cut decorative panel over inward opening vent panel (indicative floral pattern shown) | 20 | Cast stone frame around ground openings |
| 10 | Light facing brickwork with light mortar joints | 21 | Bronze anodized aluminium glazing system to ground floor |
| 11 | Cast stone sill to windows | | |

MacreanorLavington

3rd Floor
19-21 Nile Street
London N1 7LL
t +44(0)207 336 73 53
f +44(0)207 336 76 55
e uk@ml-architects.com

CARTWRIGHT GARDENS, LONDON

Client University of London / UPP
Title Detail Bay Study (Cartwright Gardens)
Scale 1:25 @ A0
Date 08-03-2013 Drawn LCM
MLUK339/P/222