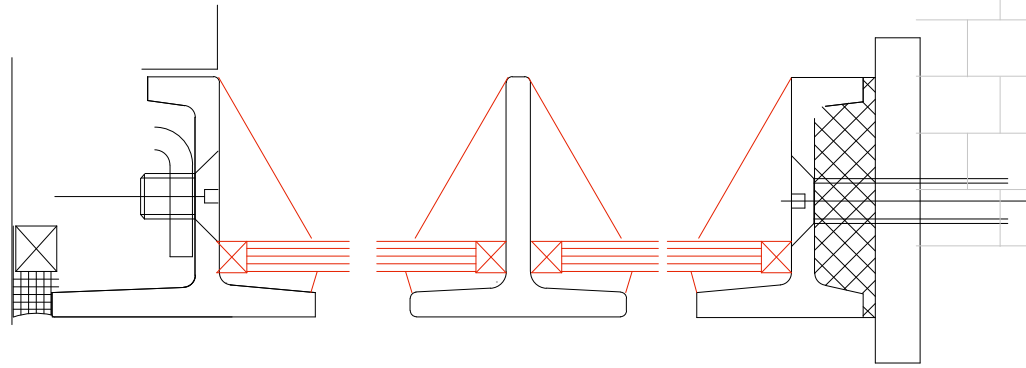
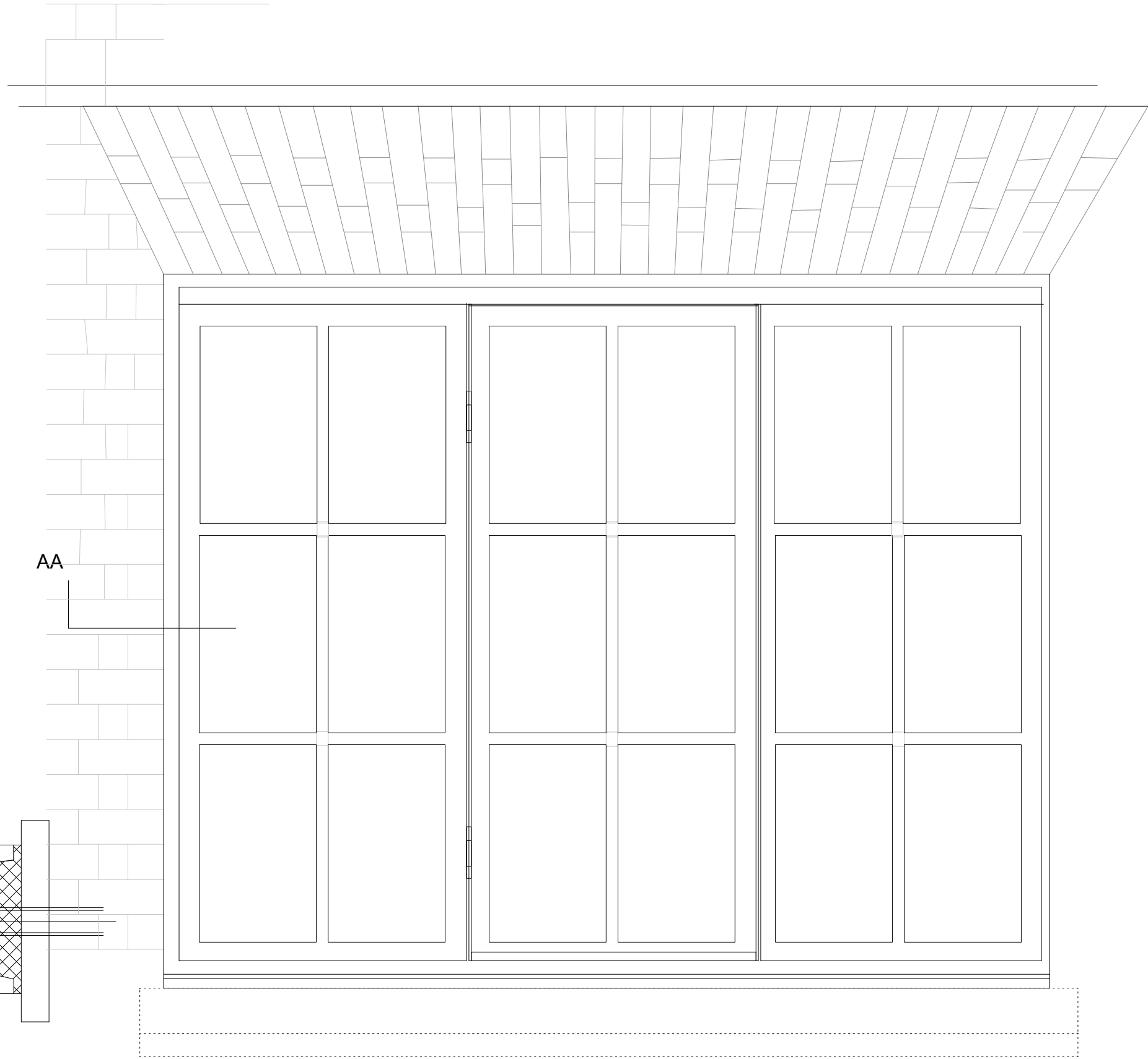


NORTH ELEVATION EXISTING 1:25



reinstated glass indicated

SECTION AA PROPOSED 1:1

NORTH ELEVATION PROPOSED 1:10
 IDENTICAL TREATMENT TO 2 NO.
 WINDOWS TO 'STORROW' STUDIO

WINDOW - FIT WITHIN EXISTING CASEMENT/FRAME
 REMOVAL OF INSERTED ELECTRIC FAN -REINSTATE
 MISSING CRITTALL GLAZING BARS AND GLASS AS
 EXACT MATCH TO ORIGINAL



1.0m
 0.5m
 0.25m
 scale 1:10

revisions
 A TENDER

arts lettres techniques ARCHITECT Arts Lettres Techniques Limited 2013 copyright is retained ©
 33A ARLINGTON ROAD LONDON NW1 7ES T: (020) 7383 4778 alan.chandler@member.riba.org ALL DIMENSIONS MUST BE VERIFIED ON SITE
 PROJECT CECIL SHARP HOUSE NUMBER CSH 507 SCALE 1:10 @ A3
 SUBJECT WINDOW DETAIL Storrow REVISION A DATE 15/02/13