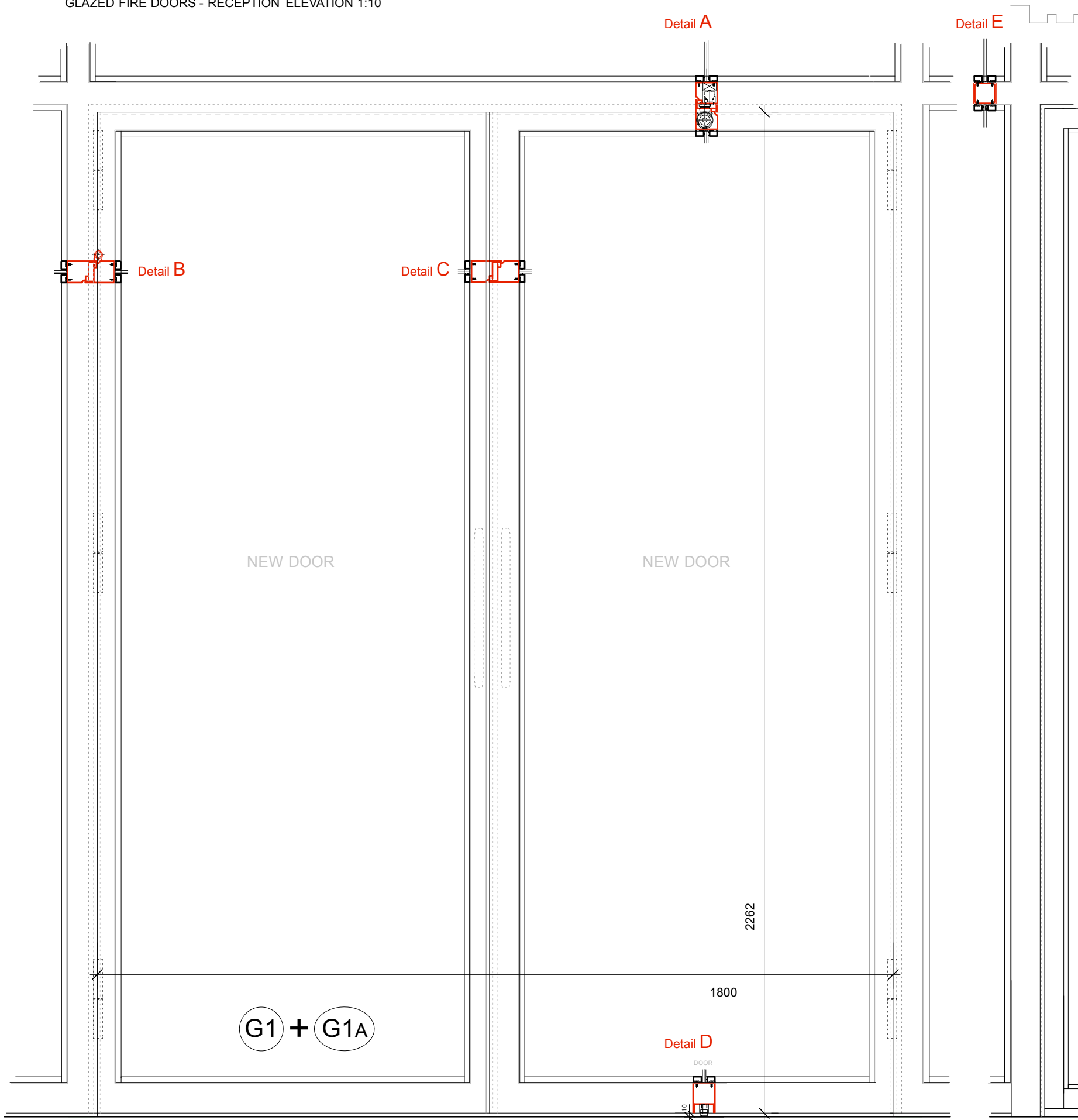
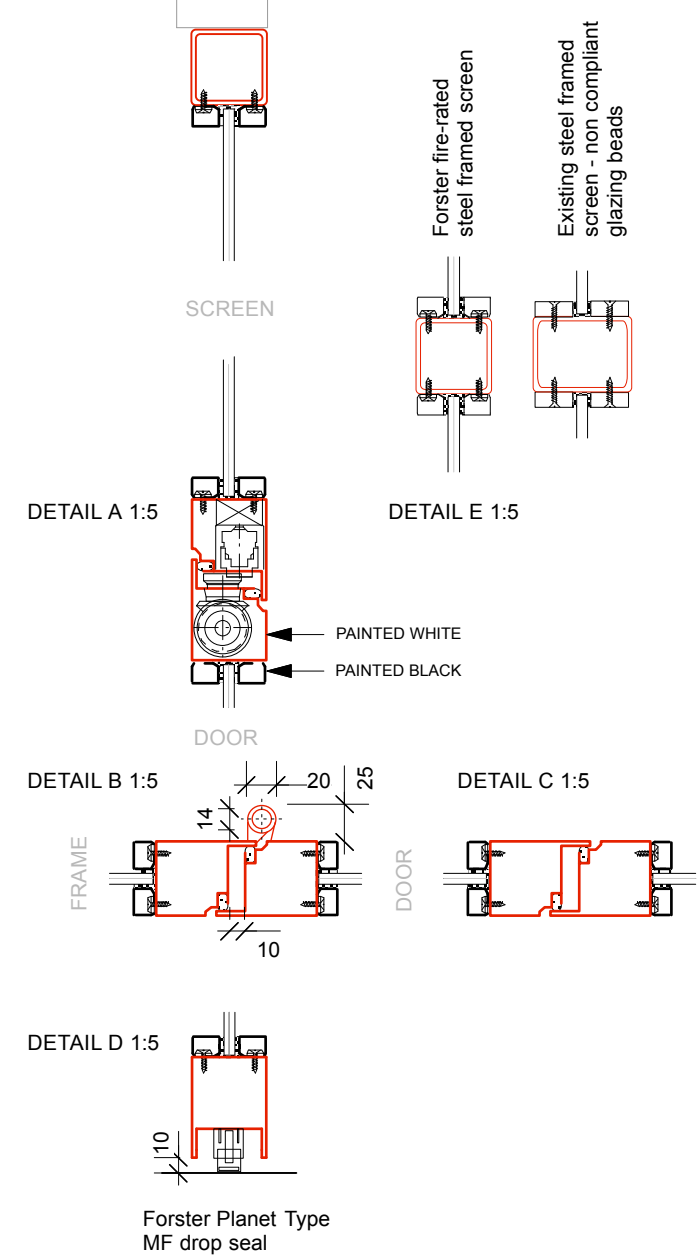


GLAZED FIRE DOORS - RECEPTION ELEVATION 1:10



EXISTING DOOR



G1A REPLACE EXISTING ALUMINIUM DOORS
 RE-USE EXISTING PIVOT/FLOOR SPRING WITHIN
 RETAINED STEEL SECTION SCREEN - REFIT EXISTING
 ELECTRIC AND MANUAL LATCH LOCKS - FULL DRAFT
 STRIPPING ALL EDGES

revisions
 A TENDER

scale 1:5

0.25m

0.5m

arts lettres techniques ARCHITECT Arts Lettres Techniques Limited 2013 copyright is retained ©
 33A ARLINGTON ROAD LONDON NW1 7ES T: (020) 7383 4778 alan.chandler@member.riba.org ALL DIMENSIONS MUST BE VERIFIED ON SITE

PROJECT CECIL SHARP HOUSE NUMBER CSH 502.4 SCALE 1:10+1:5 @ A3

SUBJECT RECEPTION DOORS G1+G1A REVISION A DATE 02/03/13