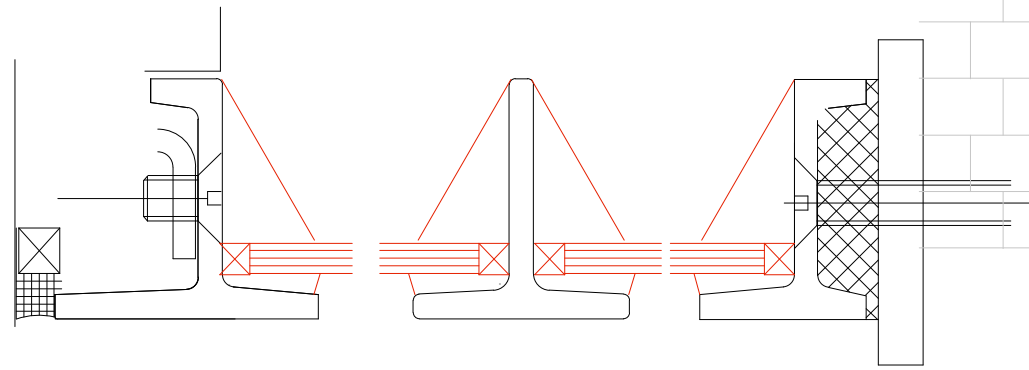


NORTH ELEVATION EXISTING 1:25



reinstated glass indicated

SECTION AA PROPOSED 1:1



NORTH ELEVATION PROPOSED 1:10
IDENTICAL TREATMENT TO 2 NO.
WINDOWS TO 'STORROW' STUDIO

WINDOW - FIT WITHIN EXISTING CASEMENT/FRAME
REMOVAL OF INSERTED ELECTRIC FAN -REINSTATE
MISSING CRITTALL GLAZING BARS AND GLASS AS
EXACT MATCH TO ORIGINAL

arts lettres techniques ARCHITECT Arts Lettres Techniques Limited 2013 copyright is retained ©
33A ARLINGTON ROAD LONDON NW1 7ES T: (020) 7383 4778 alan.chandler@member.riba.org ALL DIMENSIONS MUST BE VERIFIED ON SITE
PROJECT CECIL SHARP HOUSE NUMBER CSH 507 SCALE 1:10 @ A3
SUBJECT WINDOW DETAIL Storrow REVISION A DATE 15/02/13

revisions
A TENDER



scale 1:10 0.25m 0.5m 1.0m