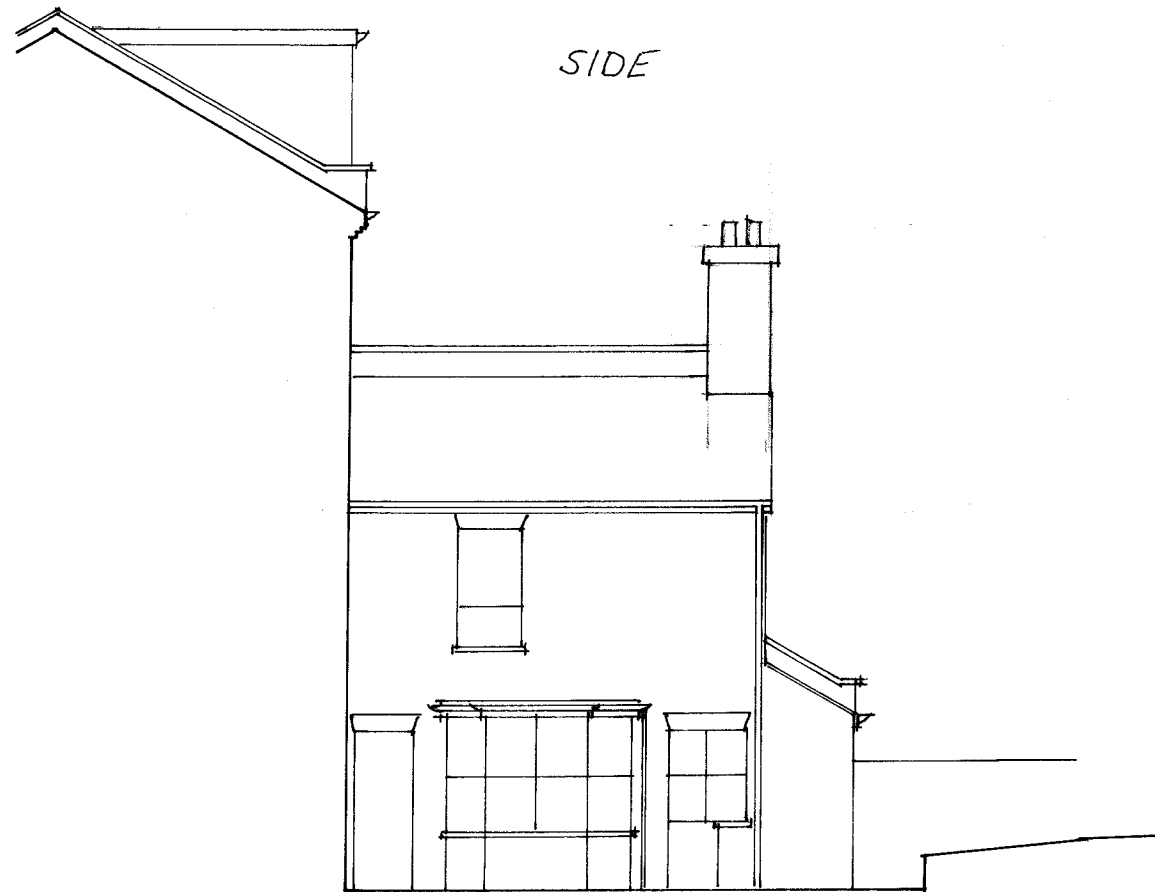
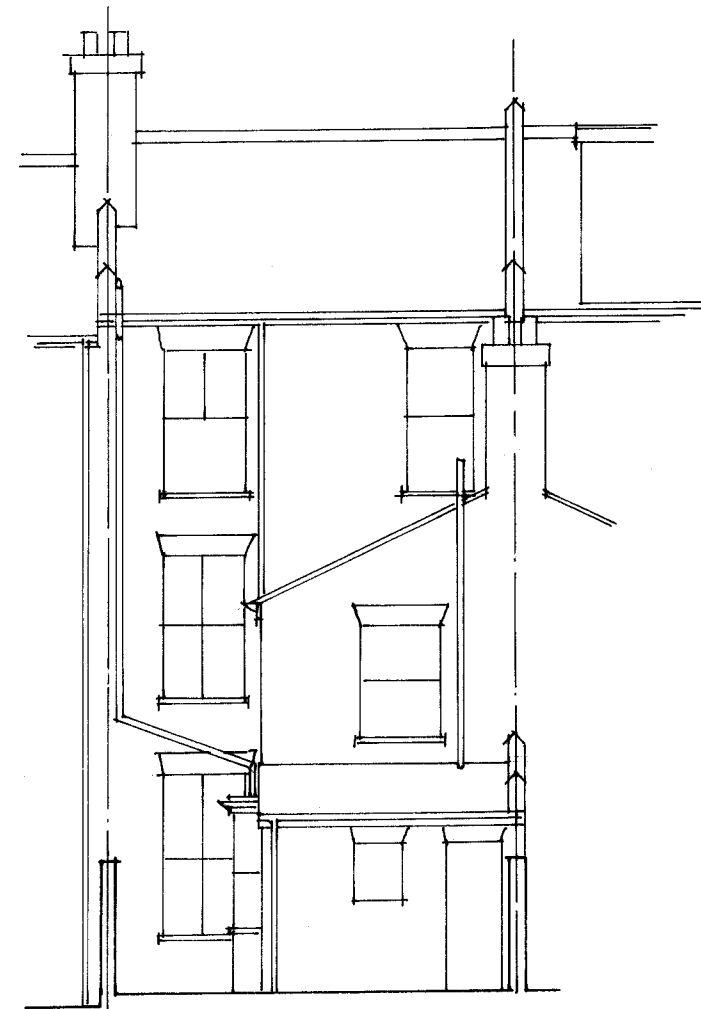


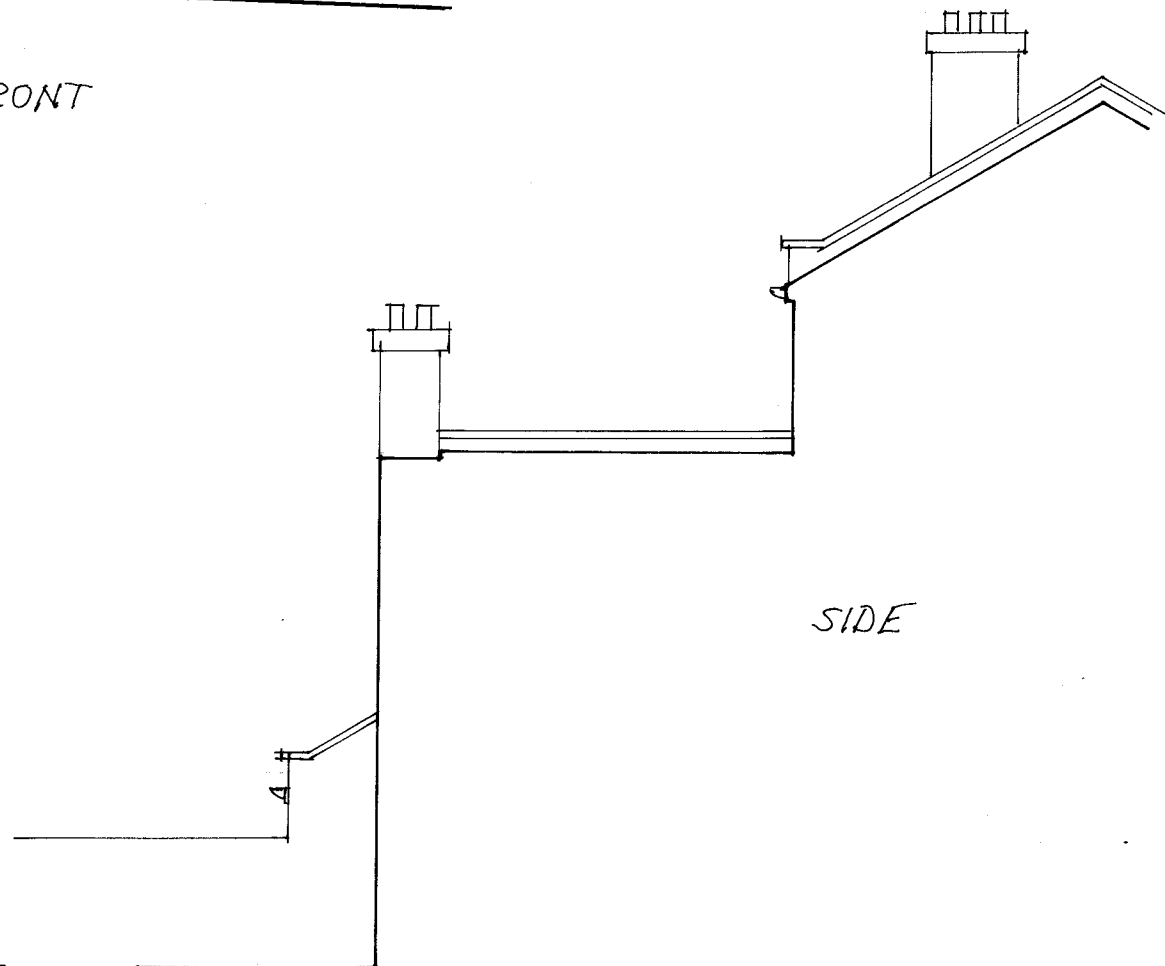
FRONT



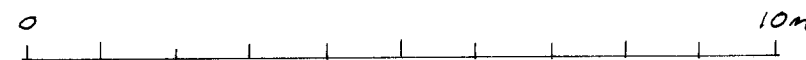
SIDE



REAR



SIDE



10m

A3

1:100

EXISTING ELEVATIONS
AT, 19 LITHOS ROAD, NW3
FOR, MR. P. KANNER 06/PKL-3
SCALE 1:100 DATE 10/6/09