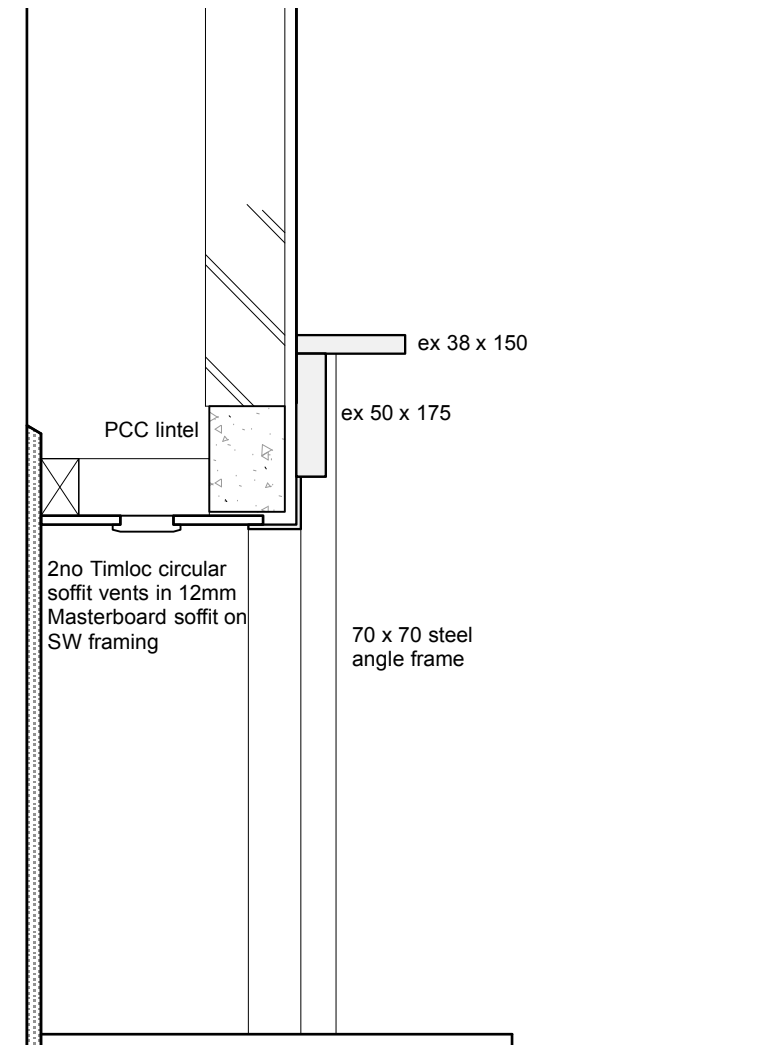
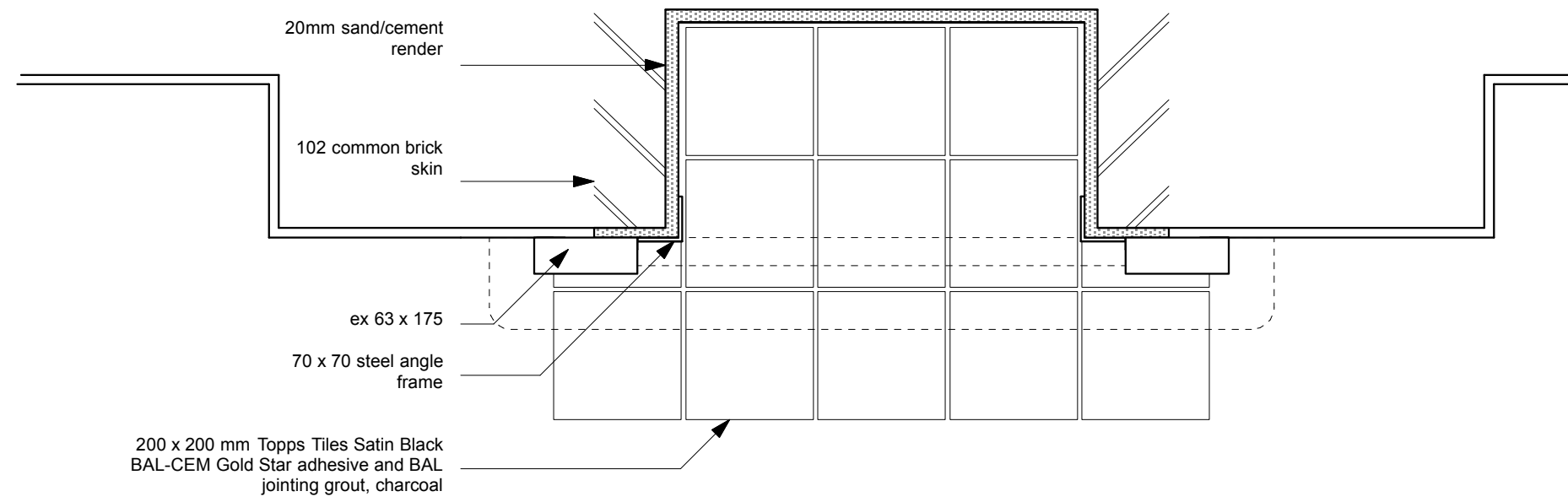


ELEVATION



SECTION



PLAN

| | | | |
|--|----------|----------------------------|-----------|
| drawing no. | | 6214-FAC-D101 | |
| drawn | PS | checked | |
| scale | 1:5 @ A3 | date | JULY 2012 |
| job title | | FREDERICK STREET PORTFOLIO | |
| drawing | | FIREPLACE - NEW SURROUND | |
| PROJECT 5 ARCHITECTURE LLP 8 Waterson Street London E2 8HL T: +44 (0)20 7739 9131 F: +44 (0)20 7739 9667 E: info@psa.co.uk | | | |
| | | | |