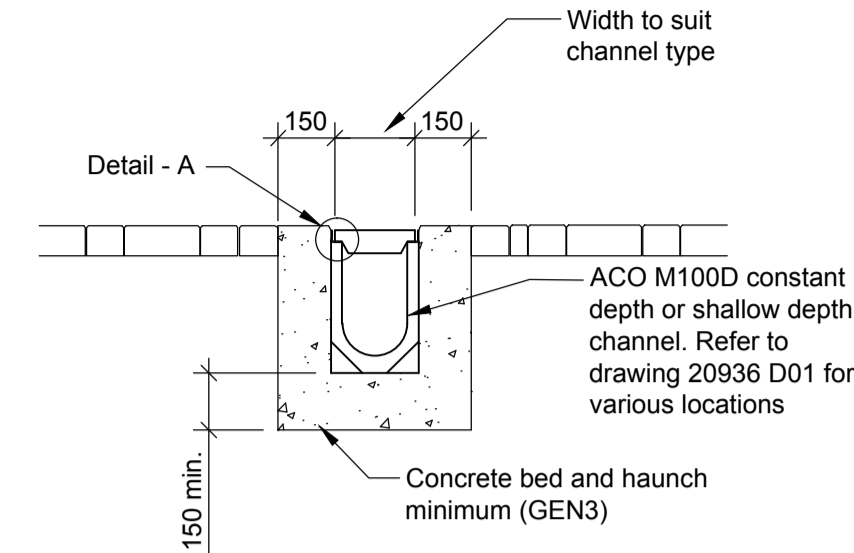
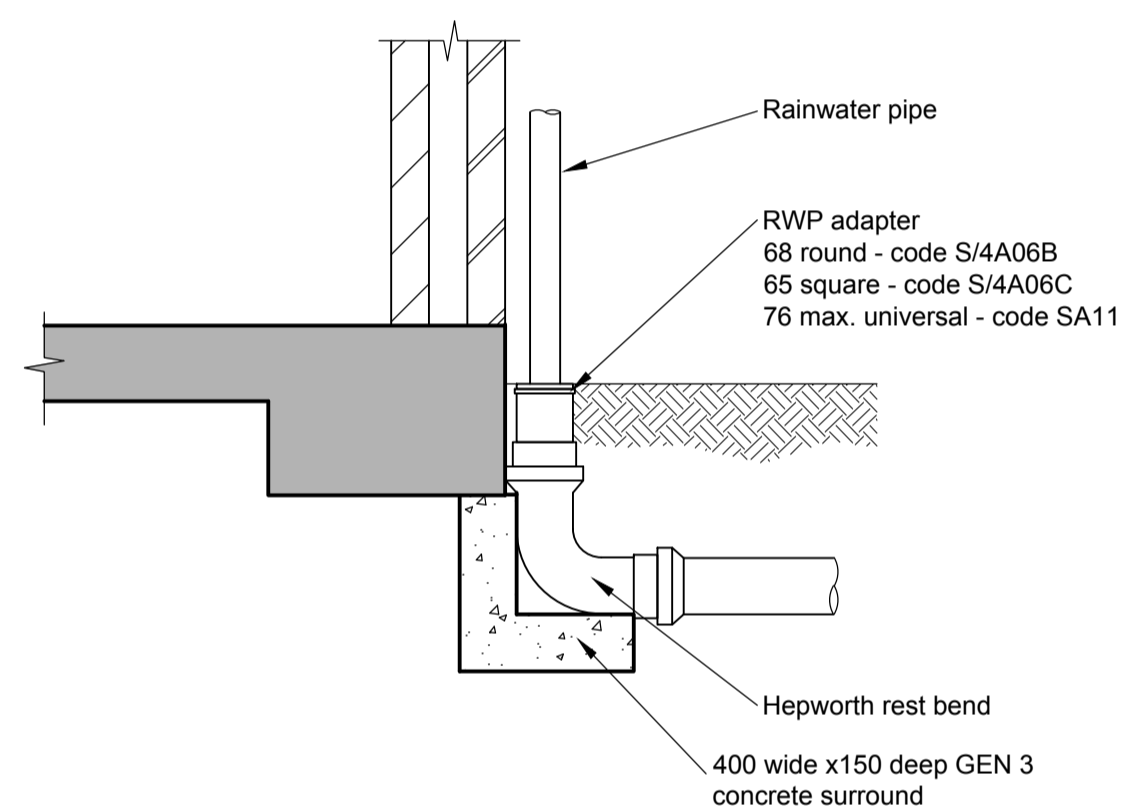
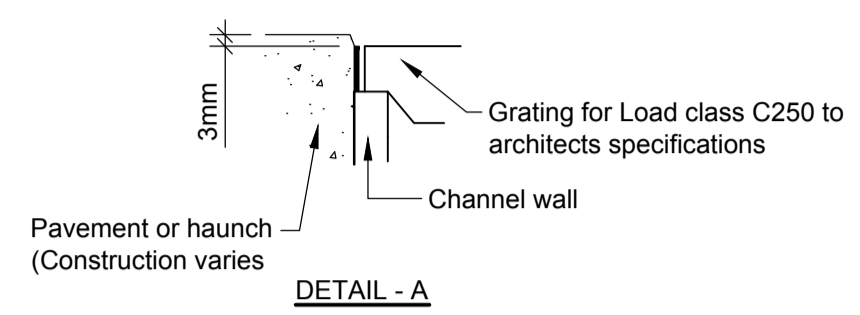


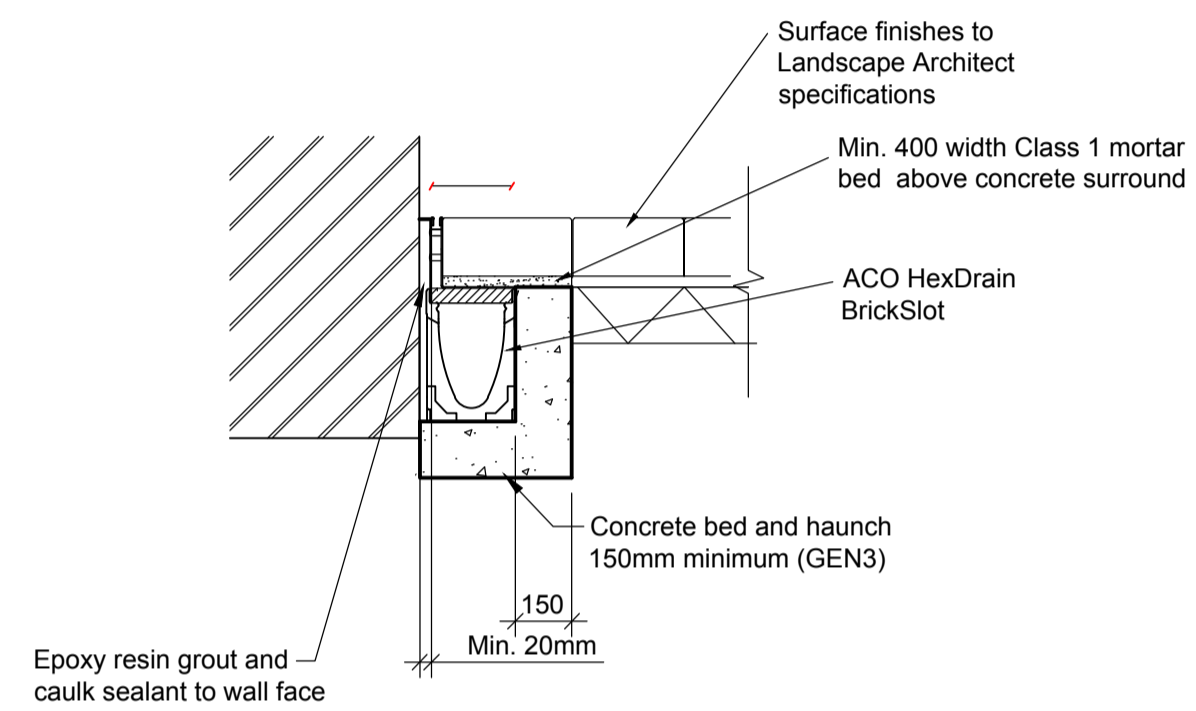
TYPICAL DETAIL FOR PIPELINES UNDER SLABS CLASS Y AND W BEDDING



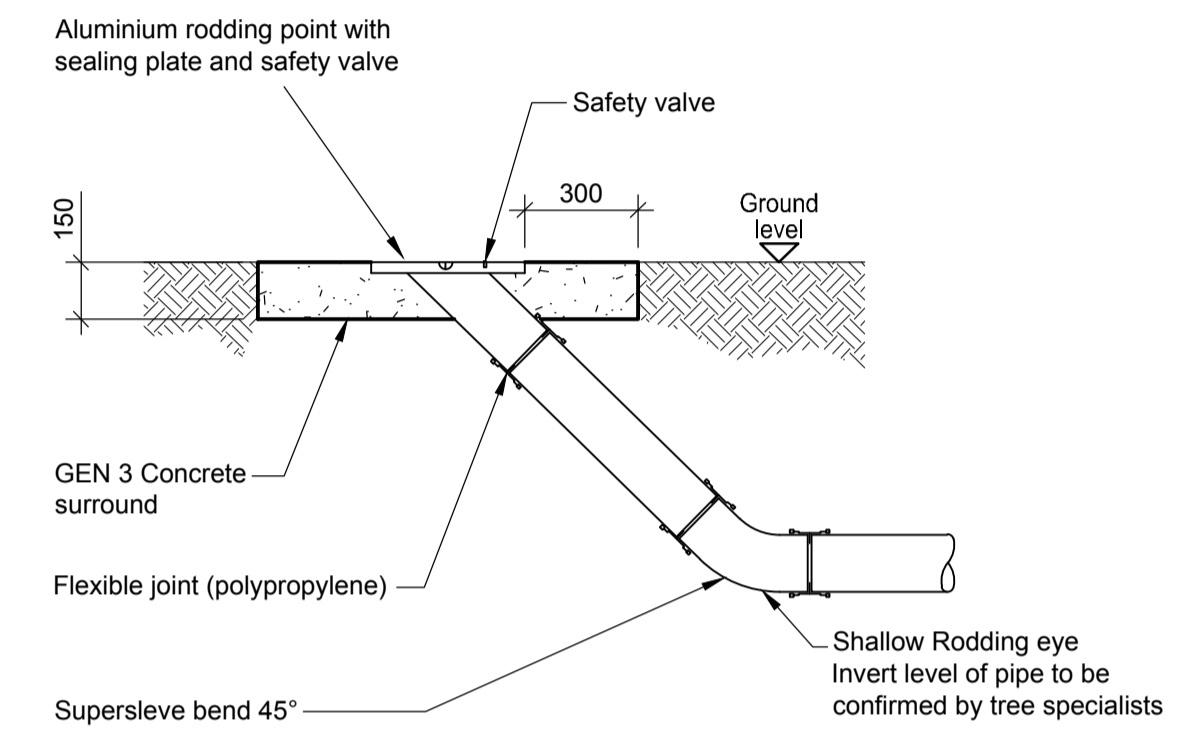
LINEAR DRAIN DETAIL (CD)



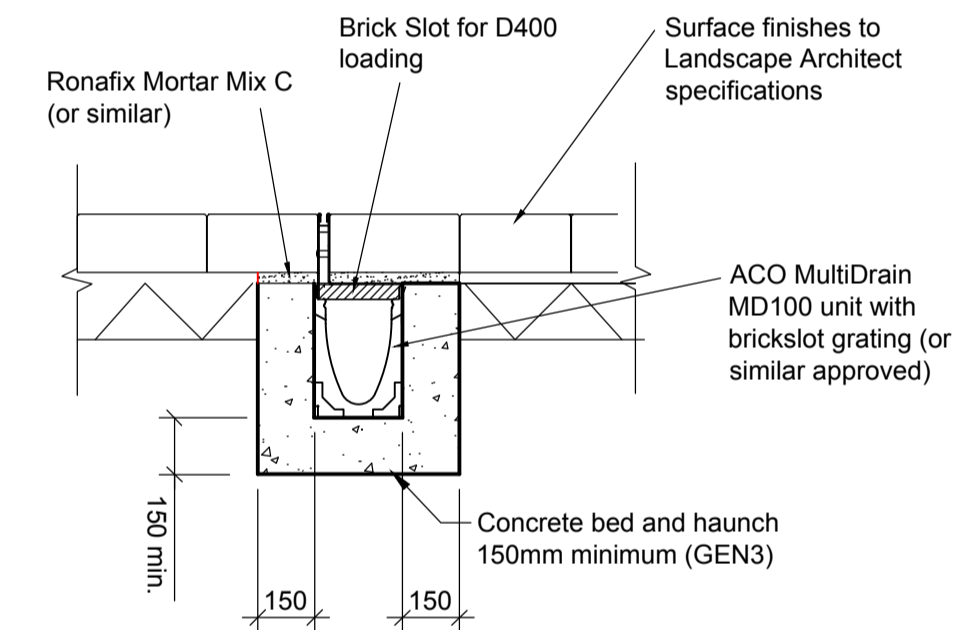
RAINWATER DOWN PIPE TO DRAIN (SURFACE WATER SYSTEM)



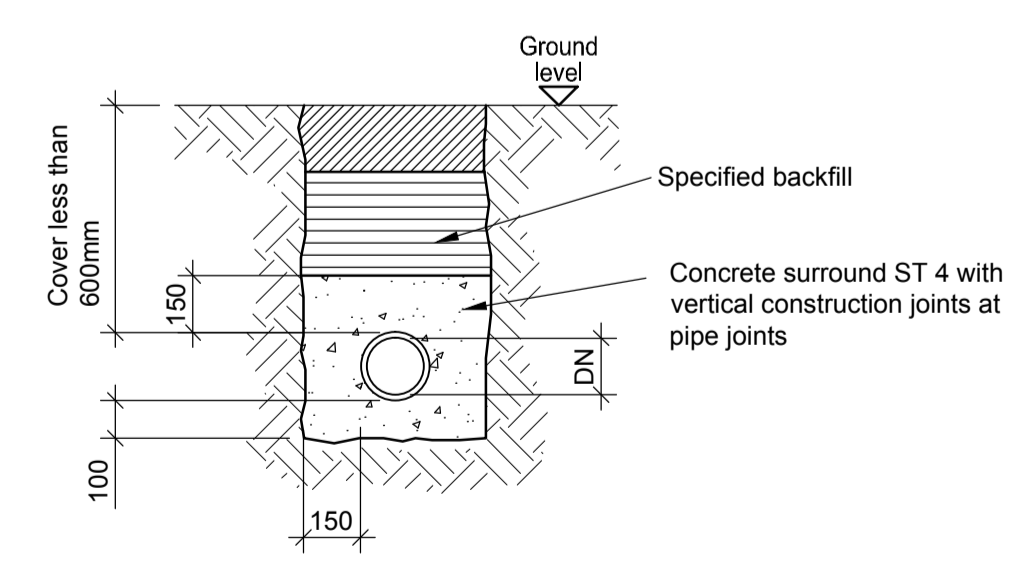
BRICKSLOT CHANNEL DRAIN DETAIL (CD1)



RODDING EYE

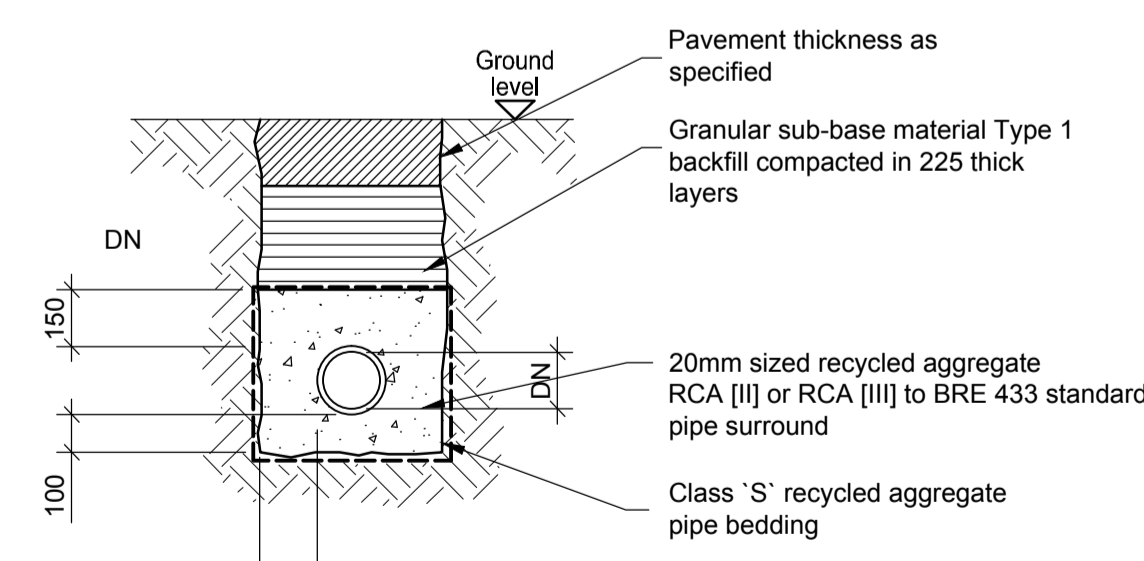


BRICKSLOT CHANNEL DRAIN DETAIL (CD2)



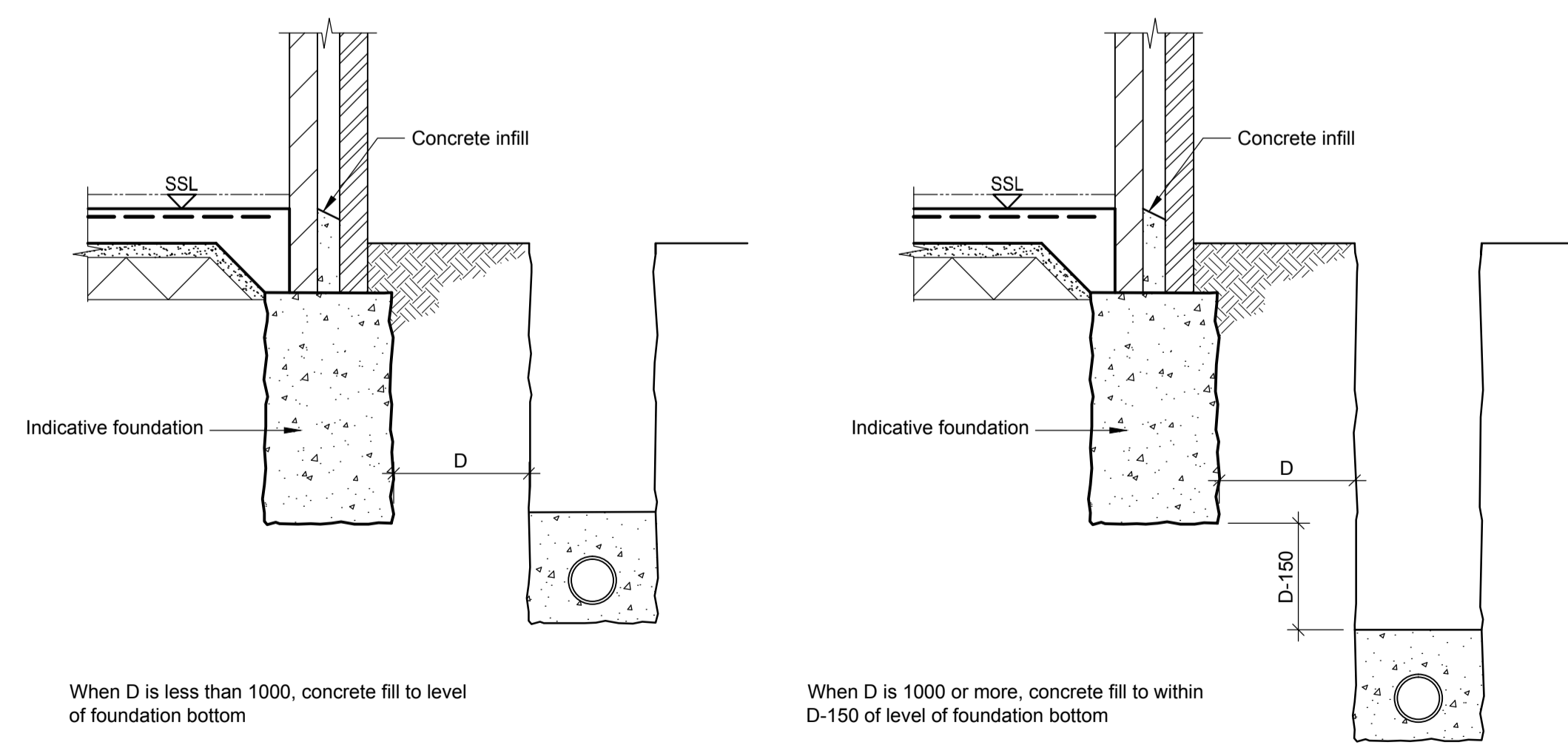
CLASS Z BEDDING

CONCRETE PIPE BEDDING SURROUND DETAIL



CLASS S BEDDING

PIPE BEDDING & BACKFILL (for vitrified pipes)



PIPES NEAR BUILDINGS

Notes :

1. This Drawing is to be read in conjunction with all relevant Architect's Engineer's and specialists' drawings and specifications.
2. Do not scale from this drawing in either paper or digital form. Use written dimensions only. To check drawing has been printed to the intended scale this bar should be 50mm long @ A1 or 25mm long @ A3.
3. Health & Safety : All specific drawing notes are to be read in conjunction with the project "Information Pack" and "Site Rules".
3. All pipes to be vitrified clay unless noted otherwise.
4. Where cover to the crown of pipe is less than 900mm in trafficked areas or less than 600mm in non-trafficked areas - Bed and Surround Type Z.
Where cover to crown of pipes is greater than 900mm in trafficked areas and 600mm in non-trafficked areas - Bed & Surround Type S.
5. Bed & Surround Type Z for pipe gradients <1:10
6. All drainage pipes to be cast in concrete when passing under foundations.
7. All bends in pipework shall be long radius.
8. All RWP's, channel drains and gullies not connected directly to a manhole to be roddable.

CONSTRUCTION ISSUE

C1	16-04-13	SG	SG	Issued for Construction
T3	17-08-12	SG	SG	Issued for Tender-Revised Layout
T2	24-08-12	SG	SG	Revised as clouded
T1	09-08-12	SG	SG	Issued for Tender
Rev	Date	Drawn	Eng	Amendment

CORAM CAMPUS BLOOMSBURY PHASE 1 DRAINAGE CONSTRUCTION DETAILS SHEET 1 OF 2

Drawn	SG	Eng	DL
Scales	1:20 at A1		
Drawing No	20936-D21	Rev	C1