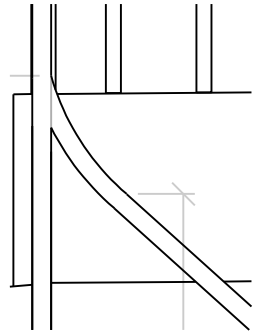
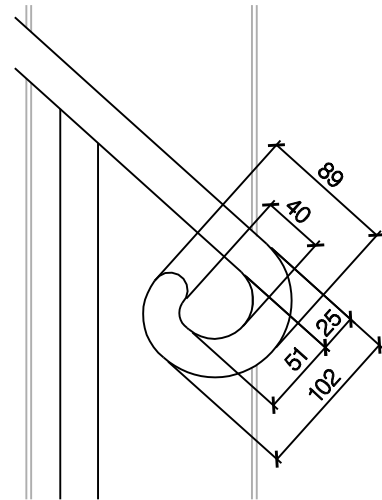


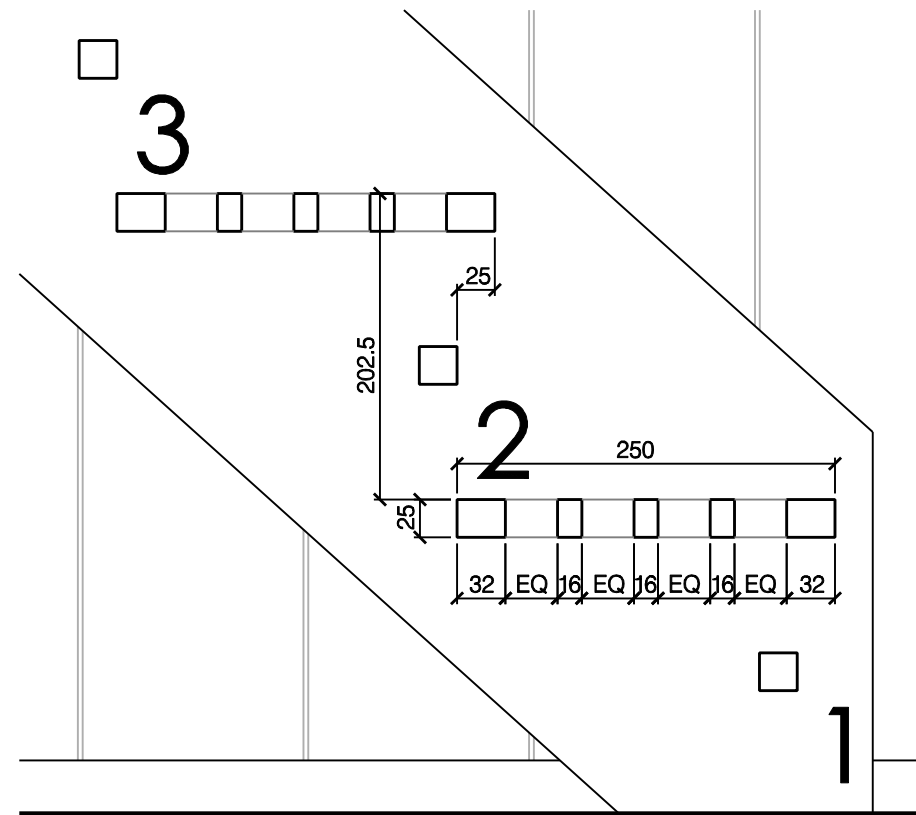
A HANDRAIL ELEV. C
505/11 SCALE 1:10



C HANDRAIL ELEV. B
505/11 SCALE 1:10



B STAIR RAIL DETAIL
505/11 SCALE 1:5



D STAIR DETAIL
505/11 SCALE 1:5

NOTES:

11 NO EQUAL RISERS AT 202.5MM
NB: 12TH RISER - EXISTING WALL TO PAVEMENT

GOINGS AT 225MM WITH 25MM OVERHANGING (REFER TO DETAIL)

PITCH 42 DEGREES

TREADS FITTED BETWEEN 300MM FLUSH STAIR STRINGS
HANDRAIL SUPPORTS FITTED TO INSIDE OF STRING
HANDRAIL AT 900MM ABOVE NOSING LINE

STAIR FABRICATOR TO CHECK ALL DIMENSIONS ON SITE

REV	DATE
REVISIONS	
DRAWING NOT TO BE SCALED FIGURED DIMENSIONS ONLY DRAWING NOT TO BE USED FOR LAND TRANSFER PURPOSES DRAWING TO BE READ IN CONJUNCTION WITH RELEVANT DRAWINGS AND SPECIFICATIONS	
<h1>MG</h1> <h2>ARCHITECTS</h2> <p>2 NORTHFIELDS PROSPECT, NORTHFIELDS LONDON, SW18 1PE TEL: 020 8877 0277 FAX: 020 8877 0249 www.mgarchitects.org mail@mgarchitects.org</p>	
CLIENT	MR DAVID MILNE
PROJECT	22 CHURCH ROW, LONDON
DRAWING TITLE	PROPOSED HAND RAIL DETAIL
SCALE	1:5@A3
DATE	MARCH 2013
DRAWN	KK
CHECKED	505/11
DRAWING NUMBER	505/11
REVISION	.