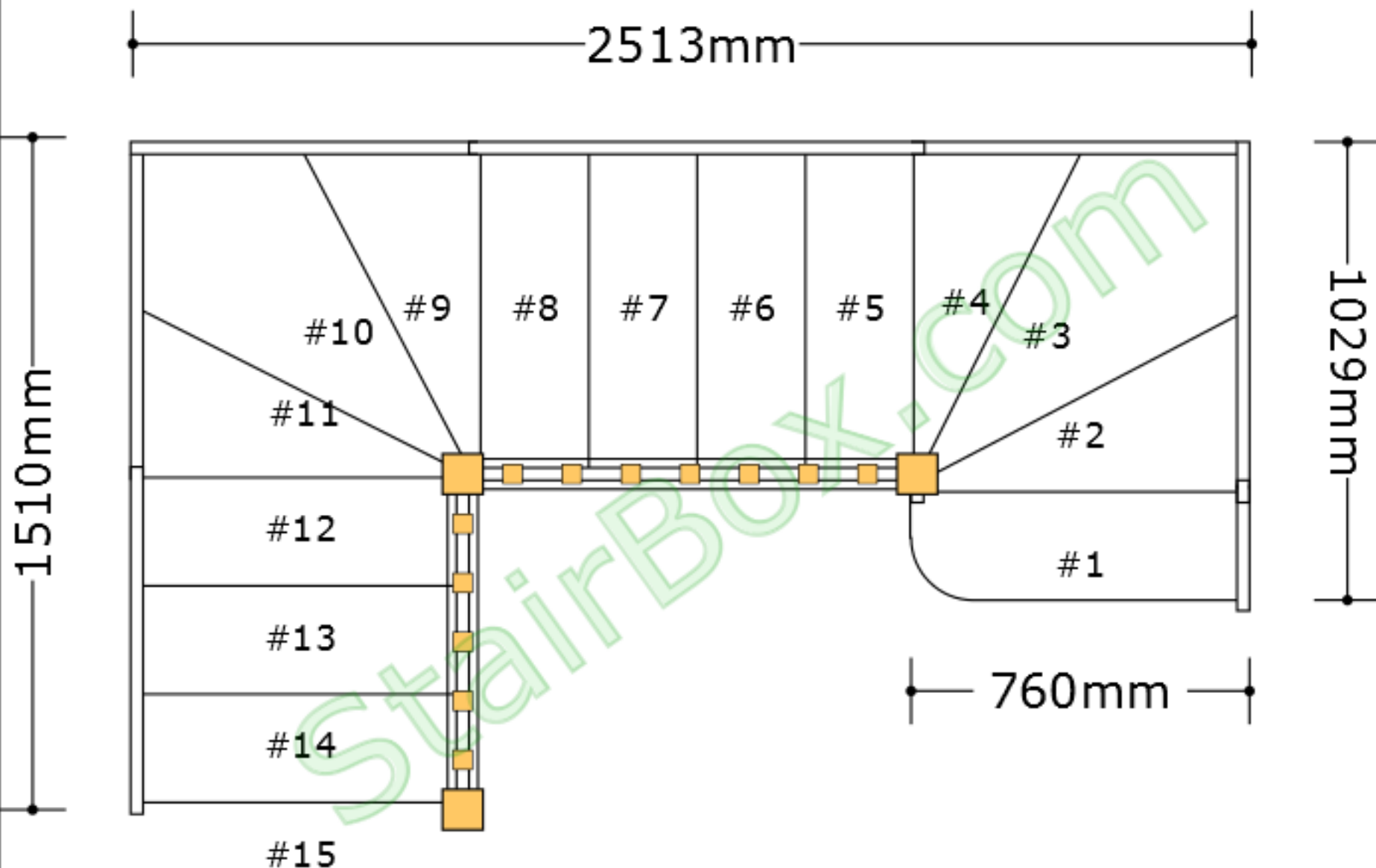


All sizes shown below are in plan view (measured horizontally)  
 #1 is the first tread at the bottom. Stair width is over strings NOT including newel posts  
 All sizes are to be checked on site

Quote Ref: Q6123

Customer: Mark Williams  
 Date: 13/1/2013  
 Site/Plot: sterncraft@msn.com

Phone: 07771708557



### Extras

Landing full newels: 2 no.  
 Landing half newels: 1 no.  
 Landing Balustrade 3.60m (including spindles)

### Assembly and Packaging

This Staircase is: Assembled (main stair runs)  
**\*\*Bubble Wrapped\*\***

### Technical Details

Total Rise: 3285 mm  
 Individual Rise: 15 @ 219.00 mm  
 Individual Going: 243.22 mm  
 Staircase Pitch: 42.00°  
 Staircase Width\*: 760 mm

\*Stair width is over strings NOT including newel posts

### Specification

Strings: 32x240mm Pine (Redwood)  
 Treads: 32mm Whitewood, Plywood Risers  
 Newels: 90x90mm Redwood pine (Square)  
 Spindles: 41x41mm Redwood pine (Square)  
 Handrail: 68x44mm Oak (Standard patt)  
 Baserail: 68x32mm Redwood Pine (Standard patt)

**StairBox.com**

We make stairs... easy

T: 01782 832555 F: 01782 832666 E: sales@stairbox.com