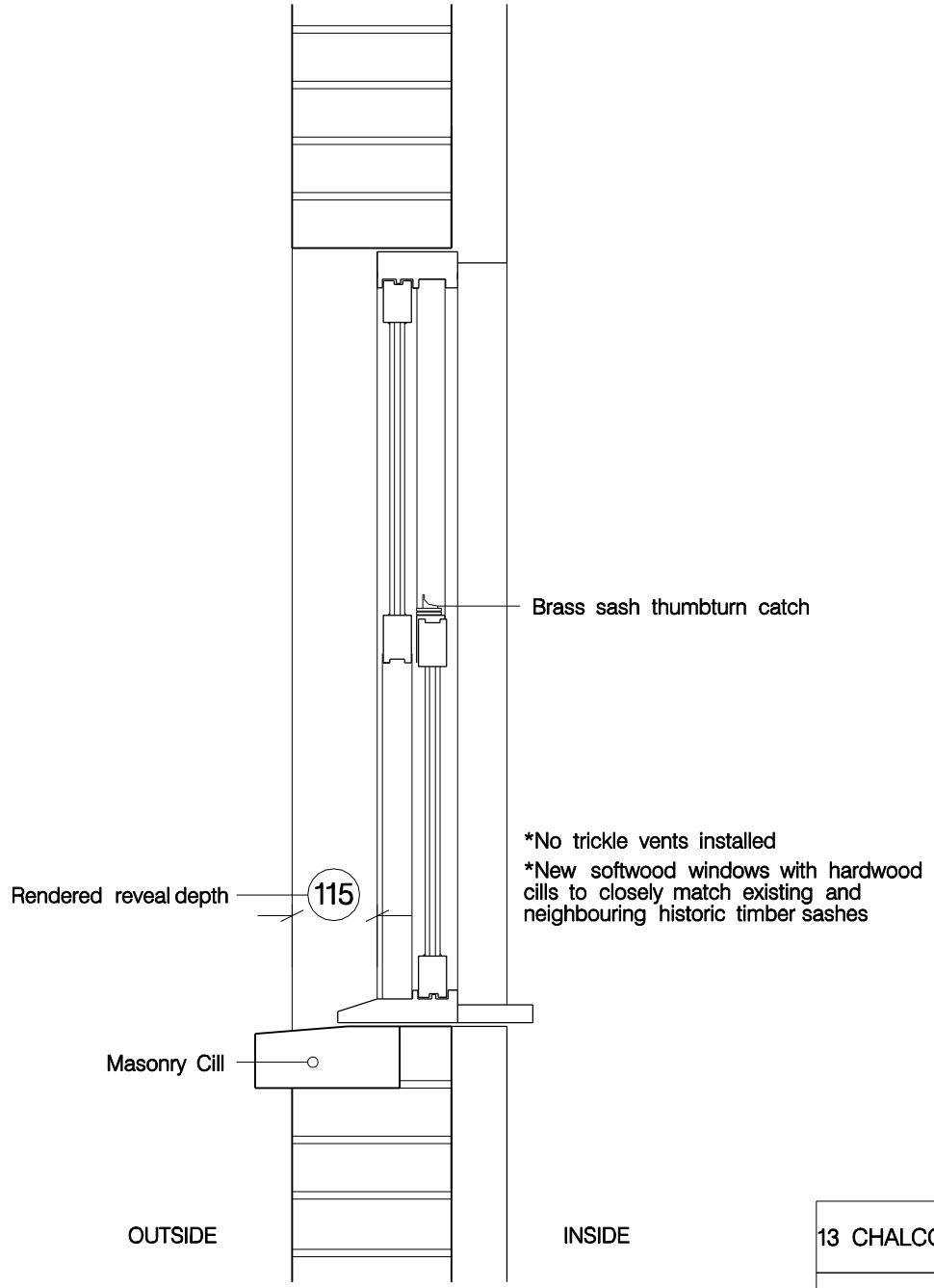


10cm 5cm 1cm 0
BAR SCALE

10cm
 5cm
 10cm



*No trickle vents installed
 *New softwood windows with hardwood cills to closely match existing and neighbouring historic timber sashes

**TYPICAL PROPOSED DOUBLE GLAZED
 TIMBER FRAMED SASH WINDOW**

13 CHALCOT SQUARE	
PROPOSED SASH WINDOW SECTIONS	
DATE 01.05.2013	SCALE 1:10@A4
FILENAME 13chalcot.dgn	
DRWG No 1214/PL30	
REVS /	DRN kg
© copyright gauld architecture	

* Brass ironmongery/window furniture to match original as closely as possible

The Location and Size of Existing Features are Indicative Only. Please Note Site Measurements must be taken to ensure Accuracy