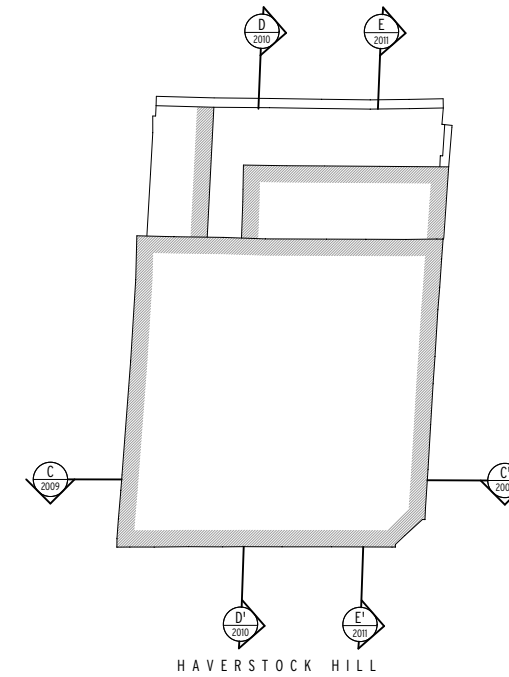




Section EE' - Flats



Notes:
 All copyrights retained.
 All information remains the property of Gregori Chiarotti Architects Ltd. and may not be used for any purpose whatsoever, or reproduced through any medium without the written consent of Gregori Chiarotti Architects Ltd.
 No responsibility is accepted for unauthorised use.
 All information is subject to statutory consents, rights of light and survey.
 Do not scale from drawings - Use figured dimensions only and verify on site.

Rev.	Date	Dwn.	Description
1	30/06/2013	sl	For approval

Gregori | Chiarotti

Gregori | Chiarotti Architects
 United House North Road London N7 9DP
 Telephone +44 (0)20 7619 0522
 Facsimile +44 (0)20 7619 0532
 e-mail gca@gregori-chiarotti.com
 website www.gregori-chiarotti.com

Client:
 Faucet Inn Limited
 Union, 88-90 George Street
 London W1U 8PA

Project:
 The Sir Richard Steel
 97 Haverstock Hill
 London
 NW3 4RL

Status:
 For approval

Drawing:
 Proposed Section EE' - Flats

Scale(s)	Date	Dwn by	Chd by
1:50@ A1	24/07/2013	sl	gca
Project No.	Drawing No.	Revision:	
1309	2011	1	