

Notes:  
 All copyrights retained.  
 All information remains the property of Gregori Chiarotti Architects Ltd. and may not be used for any purpose whatsoever, or reproduced through any medium without the written consent of Gregori Chiarotti Architects Ltd.  
 No responsibility is accepted for unauthorised use.  
 All information is subject to statutory consents, rights of light and survey.  
 Do not scale from drawings - Use figured dimensions only and verify on site.

Rev.	Date	Dwn.	Description
1	30/06/2013	sl	For approval

**Gregori | Chiarotti**

**Gregori | Chiarotti Architects**  
 United House North Road London N7 9DP  
 Telephone +44 (0)20 7619 0522  
 Facsimile +44 (0)20 7619 0532  
 e-mail gca@gregori-chiarotti.com  
 website www.gregori-chiarotti.com

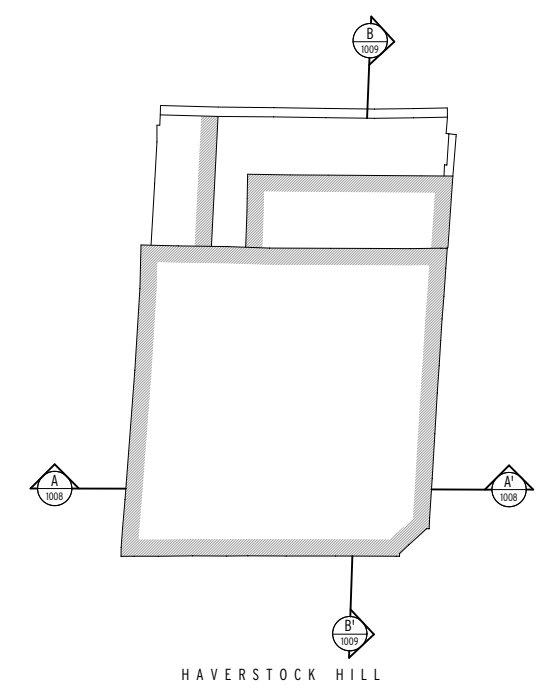
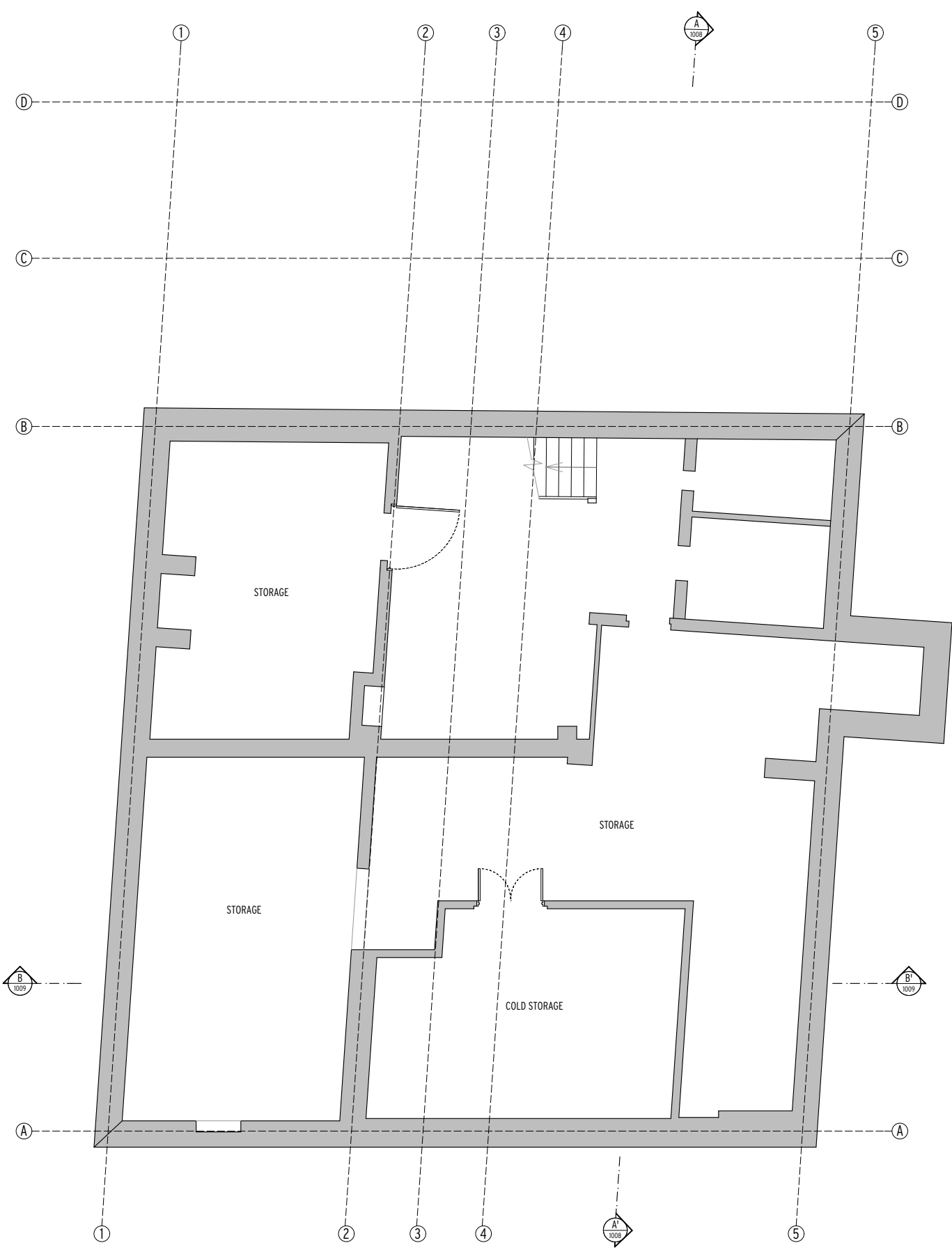
**Client:**  
 Faucet Inn Limited  
 Union, 88-90 George Street  
 London W1U 8PA

**Project:**  
 The Sir Richard Steel  
 97 Haverstock Hill  
 London  
 NW3 4RL

**Status:**  
 Information

**Drawing:**  
 Existing Basement Plan

Scales:	Date:	Dwn by:	Chd by:
1:50@ A1 1:100@ A3	23/07/2013	sl	gca
<b>Project No:</b>	<b>Drawing No:</b>	<b>Revision:</b>	
1309	1001	1	



Existing Basement Plan

