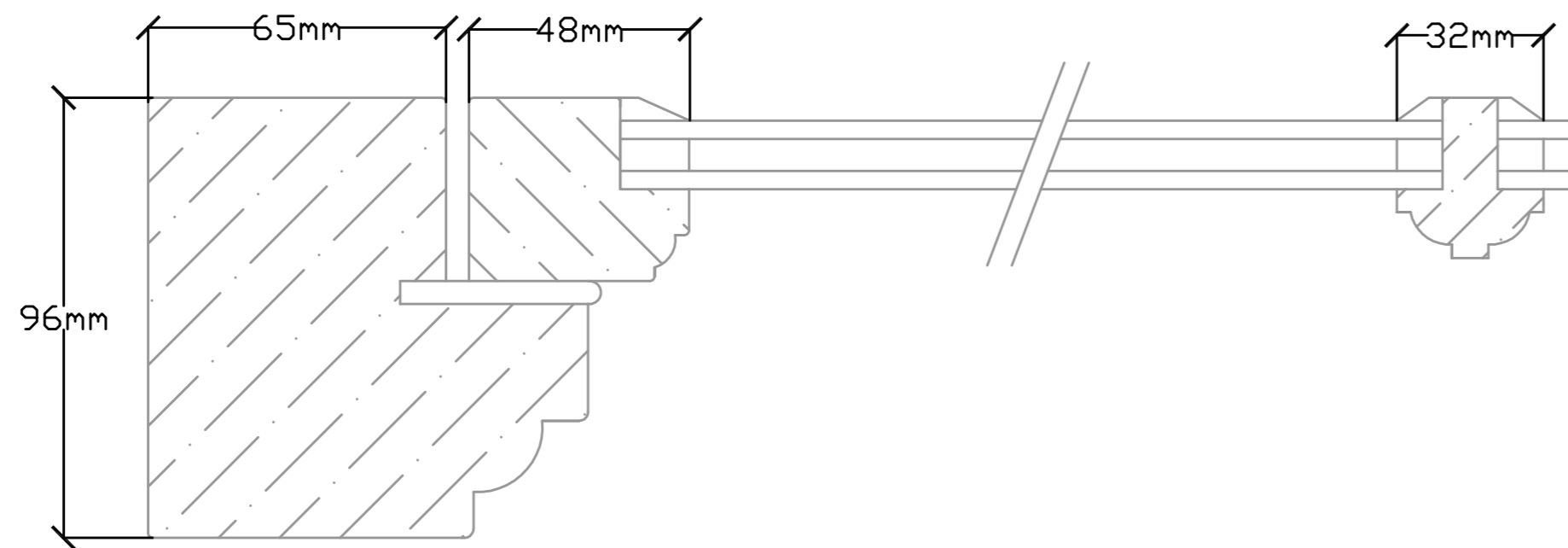


Do not scale from this drawing
All dimensions to be checked on site

Notes:



Amendments:

Drawing type:

PLANNING

Client:

Project:

St Pancras Lodge
Indicative Sections

Title:

The Lodge, St Pancras Gardens
Pancras Road
London, NW1 1UL

Scale: 1:10@A2

Date: 20/06/13

Drawn: AWB

Checked: JF

Drg.no: 118517_P_04

Rev: A

INDICATIVE WINDOW DETAILS

SCALE 1:2

Watts.

Watts Group PLC
1 Great Tower Street
London EC3R 5AA

T: +44 (0)20 7280 8000
F: +44 (0)20 7280 8001

W: www.watts.co.uk