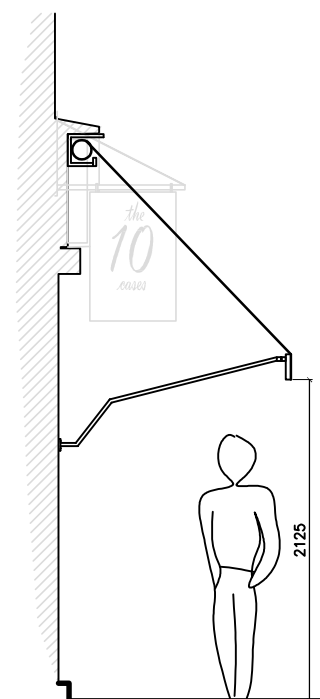
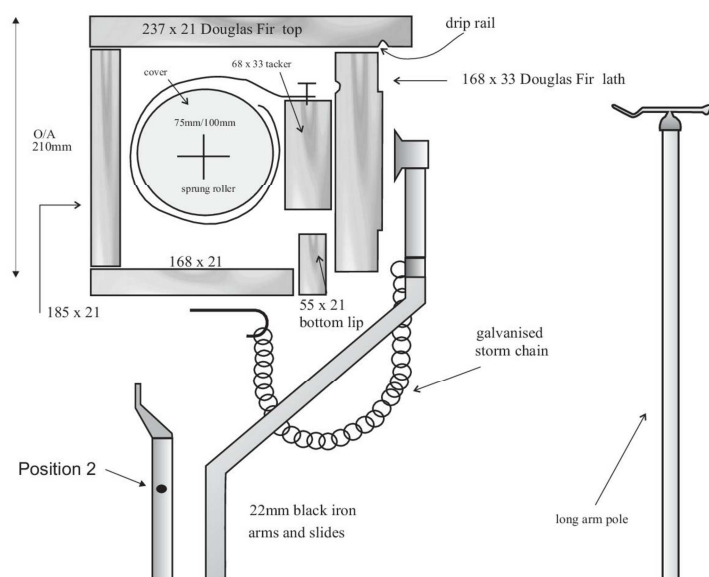
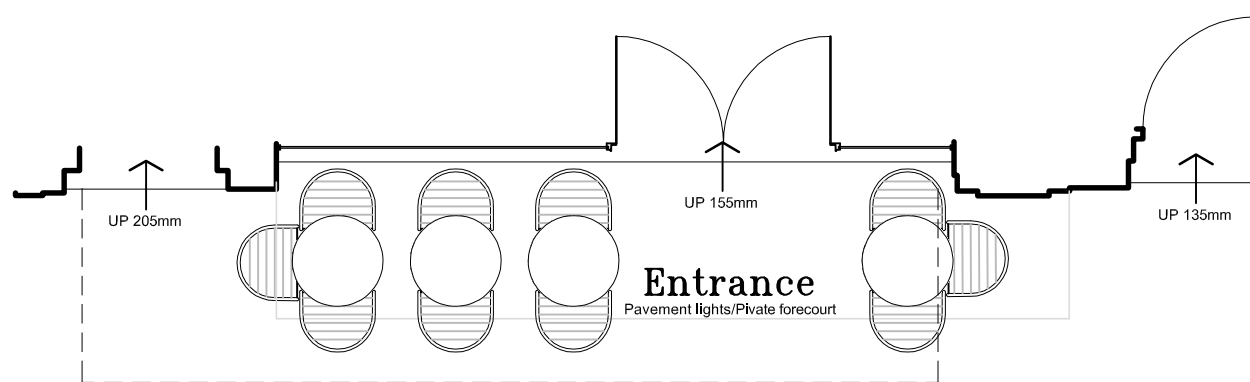


Elevation



Section



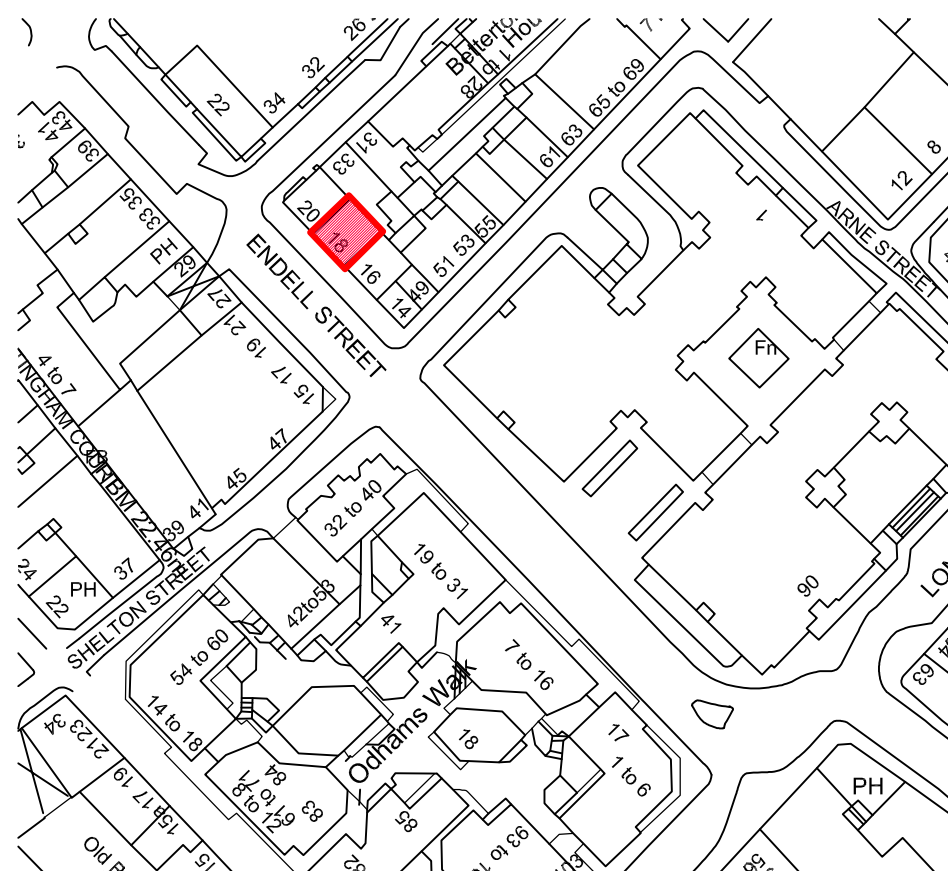
Kerb line Road

E N D E L L S T R E E T

Plan



Photograph



Site Location (Scale 1:1250)