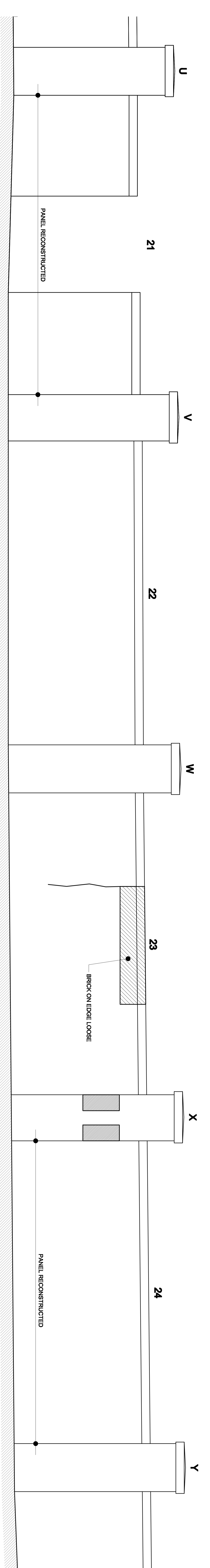
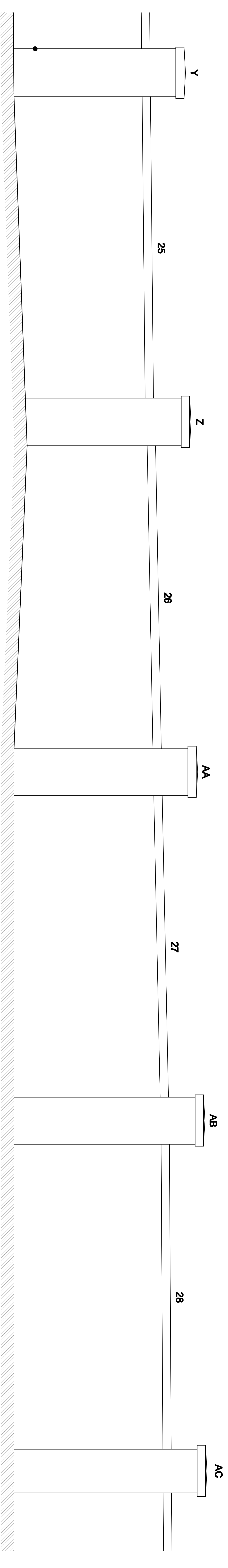


CONTINUED ON DRAWING NO. 12493/A0/03

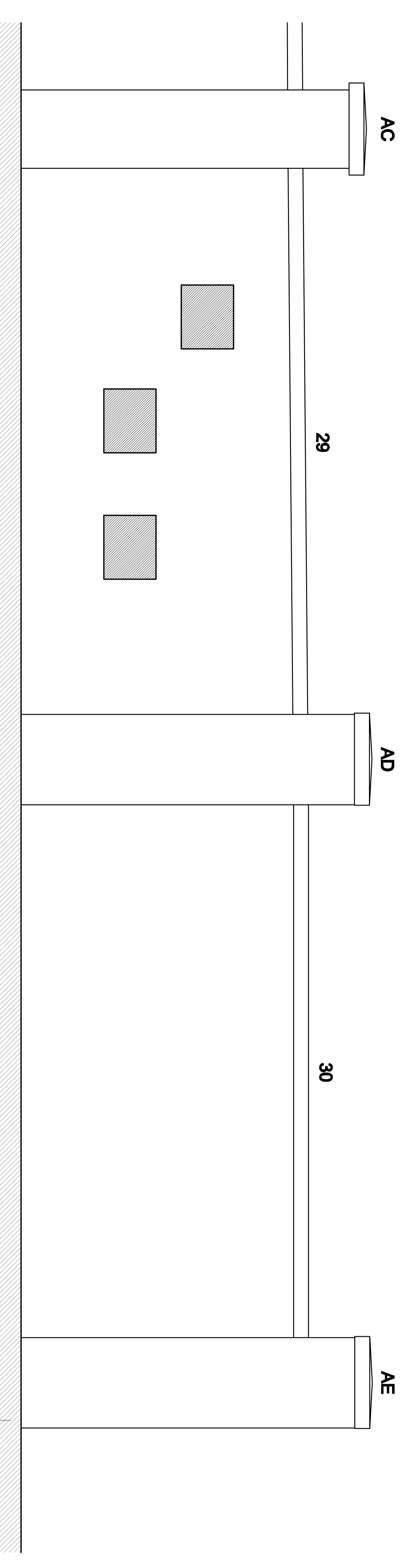
NORTH ELEVATION CONTINUED



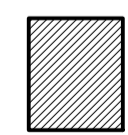
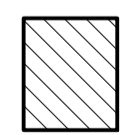
NORTH ELEVATION CONTINUED



NORTH ELEVATION CONTINUED



NORTH ELEVATION CONTINUED

-  DENOTES AREAS OF MISSING BRICKWORK
-  DENOTES AREAS OF POOR RECONSTRUCTION

<p><b>The Morton Partnership</b> CONSULTING CIVIL &amp; STRUCTURAL ENGINEERS, 55 THE TOWER YARD LONDON N1 0JF TEL: 020 7323 4373 FAX: 0207 729 1196 EMAIL: info@mortonpartnership.co.uk</p>		<p><b>CORAM FAMILY CAMPUS</b> LONDON WC1</p>								
<p>LEONARDO PROJECT HEADSUPPLY AREA TEL: 01980 875651 FAX: 01980 875085 EMAIL: leonardo@leonardoprojects.com</p>		<p><b>MAIN SITE WALL</b> STRUCTURAL SURVEY NORTH ELEVATION SHEET 2</p>								
<p>SCALE: 1:200/40 DATE: APRIL 2010 DRAWN BY: TC CHECKED BY:</p>	<p>DATE: 12/4/2010 Dwg No: 12493/A0/04</p>	<p>REV / AMENDMENT</p> <table border="1"> <tr> <th>REV</th> <th>AMENDMENT</th> <th>CHK</th> <th>DATE</th> </tr> <tr> <td> </td> <td> </td> <td> </td> <td> </td> </tr> </table>	REV	AMENDMENT	CHK	DATE				
REV	AMENDMENT	CHK	DATE							