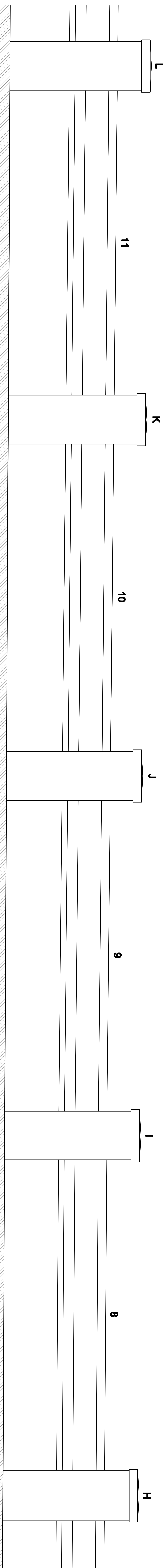
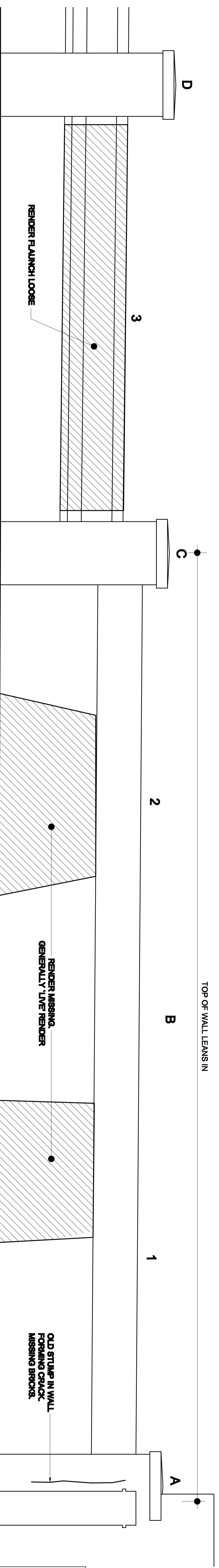
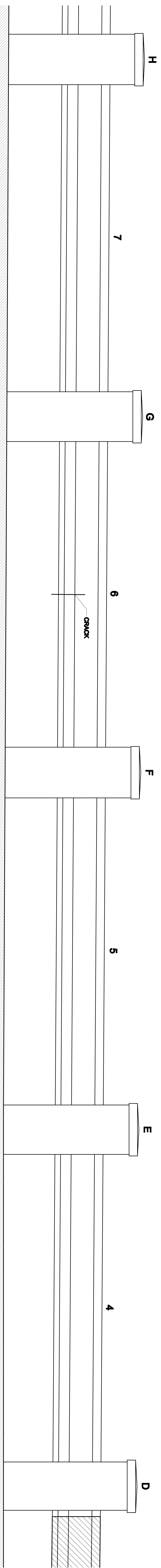


CONTINUED ON  
DRAWING No.  
12493/A0/01

SOUTH ELEVATION CONTINUED



SOUTH ELEVATION CONTINUED



- DENOTES AREAS OF MISSING BRICKWORK
- ▨ DENOTES AREAS OF POOR RECONSTRUCTION

<p><b>The Morton Partnership</b> CONSULTING CIVIL &amp; STRUCTURAL ENGINEERS, 61-63 THE TOWER YARD, 55 THE TOWER YARD, LONDON, N1 9ET. TEL: 0207 729 1196 EMAIL: info@mortonpartnership.co.uk</p>		<p><b>CORAM FAMILY CAMPUS</b> LONDON WC1</p>	
<p>LEONARDO PROJECT HEADSQUARTERS, 88A FIELDWAY, LONDON, N1 9ET TEL: 0207 729 1196 EMAIL: info@coramfamilycampus.co.uk</p>		<p>MAIN SITE WALL STRUCTURAL SURVEY SOUTH ELEVATION SHEET 2</p>	
<p>SCALE: 1:200/40 DATE: APRIL 2010 CHECKED BY:</p>	<p>DATE: APRIL 2010 CHECKED BY:</p>	<p>DWG No. <b>12493/A0/02</b></p>	<p>DWG No. <b>12493/A0/02</b></p>