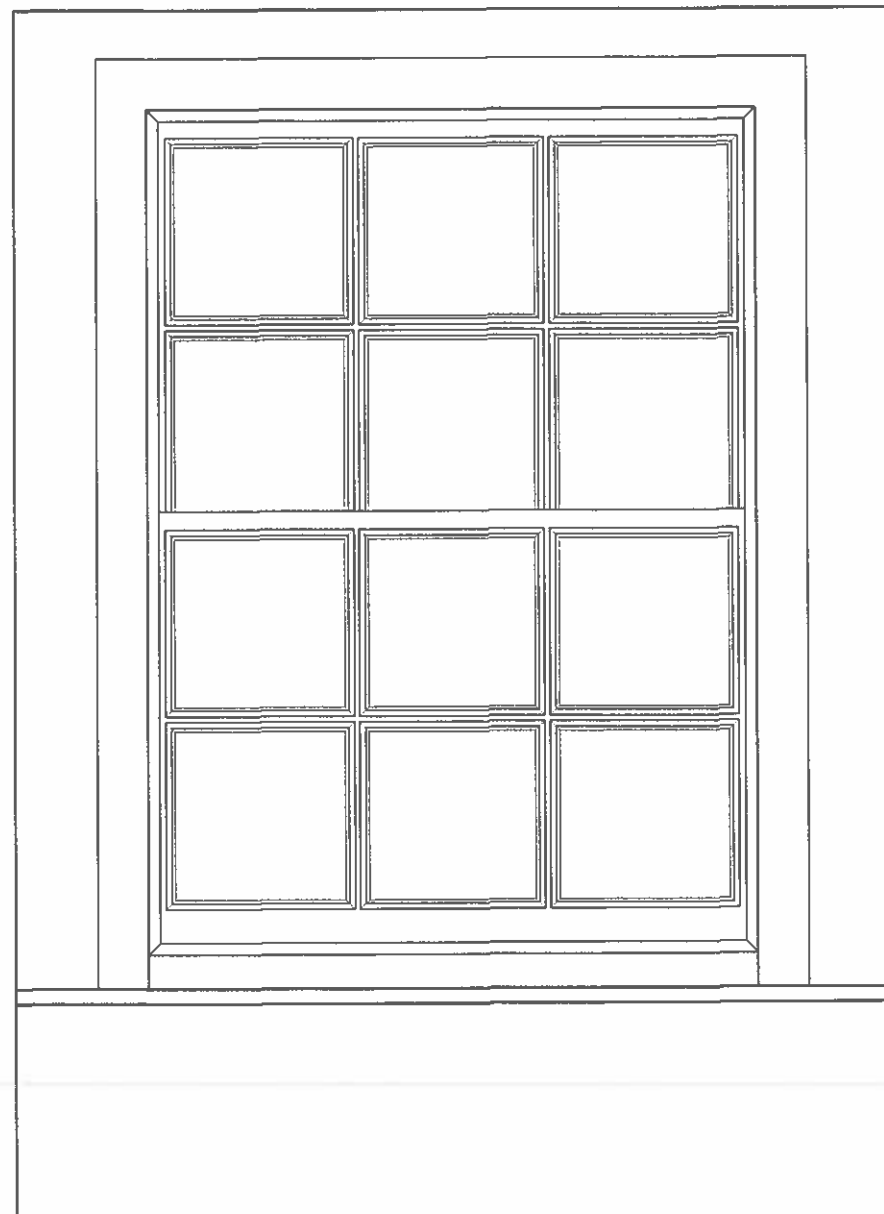
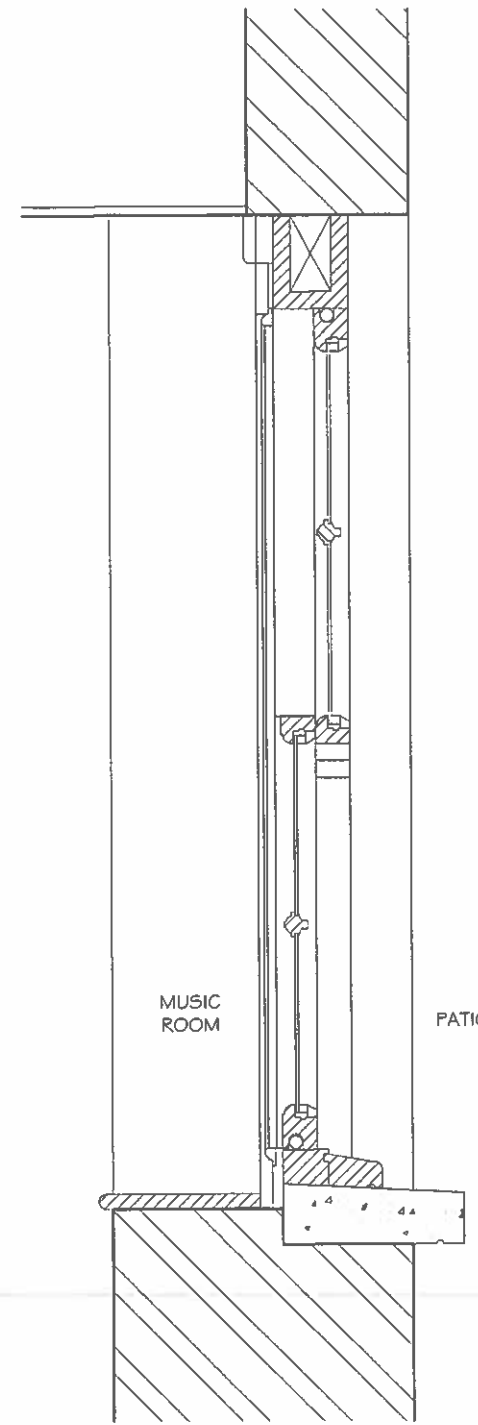


PLAN



ELEVATION

NB: SINGLE GLAZING
ONLY TO BE USED



SECTION

WINDOW TYPE 1

Softwood timber sliding box sash window and architrave to match original period features throughout with softwood sub frame, hardwood sub cill, pre cast stone cill and clear glazing- height and width to suit existing location below.

Location: W1.

©2013 Hamilton Associates
The copyright of this drawing remains the property of Hamilton Associates. This drawing may not be reproduced either in whole or in part without the express written permission of the author.
Figured dimensions only to be taken from this drawing. All dimensions to be checked on site prior to commencement of construction. This drawing must not be used for land transfer purposes. Errors and omissions to be reported to Hamilton Associates immediately.

Notes:
PLANNING DRAWING
Refer to accompanying plans for window locations.

A	16-8-13	Single glazing note added	J.F.
No	Date	Revision Details	By

HAMILTON ASSOCIATES
Property Consultants
66 Porchester Road, London, W2 6ET
Office: 020-7381-3434
Mobile: 07734-847-899
Email: edward@hamiltonassociates.co.uk
Web: www.hamiltonassociates.co.uk

Client Name:
MR. & MRS. C. LEES

Project:
7 CHALCOT SQUARE
LONDON, NW1 8YB

Scale: 1:10@A3
Date: APR 13
Drawn by: J.F.

Drawing Title:
WINDOW PLANS, ELEVATIONS
& SECTIONS SHEET 1

Drawing No: 1131-46
Rev No: A