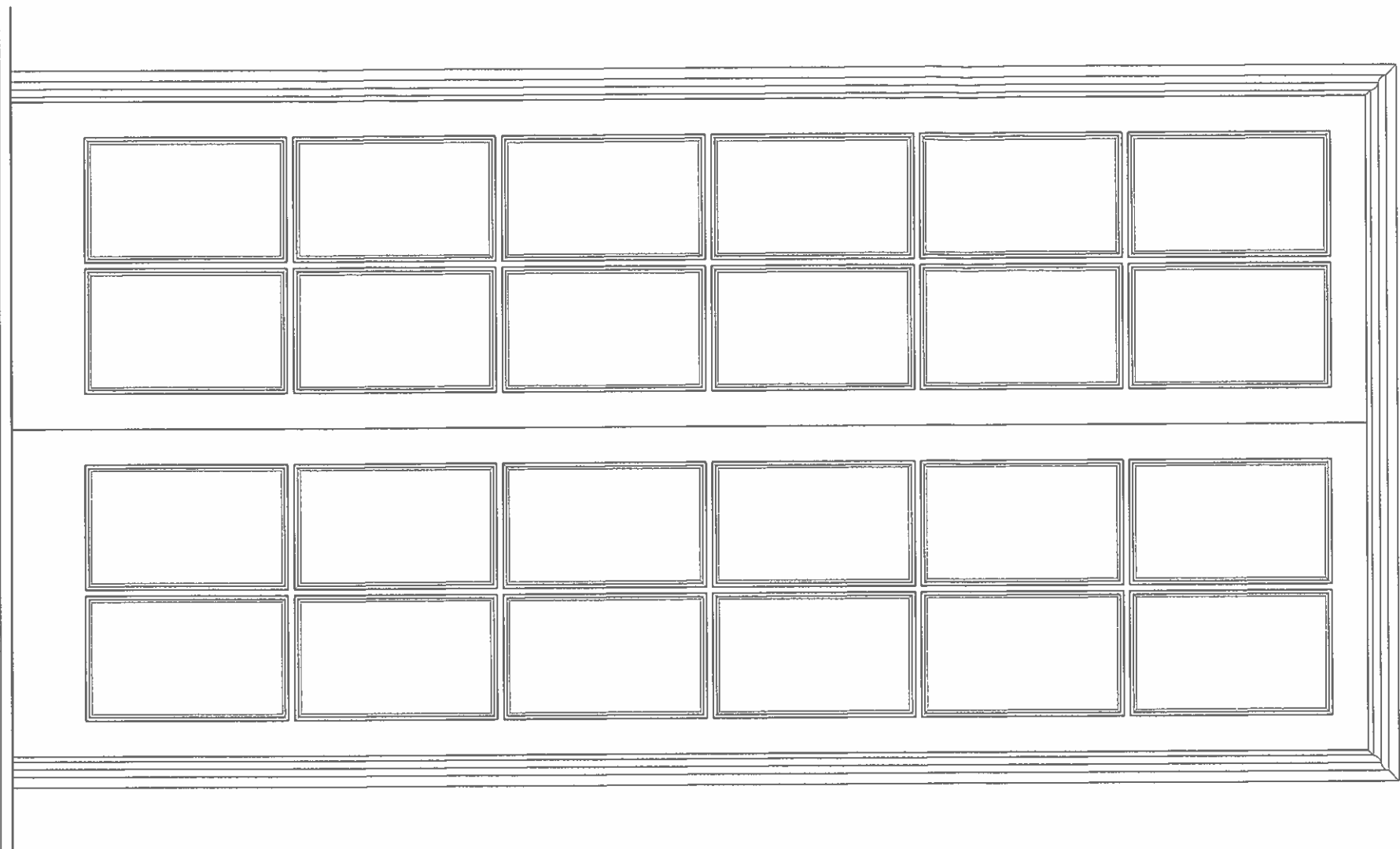
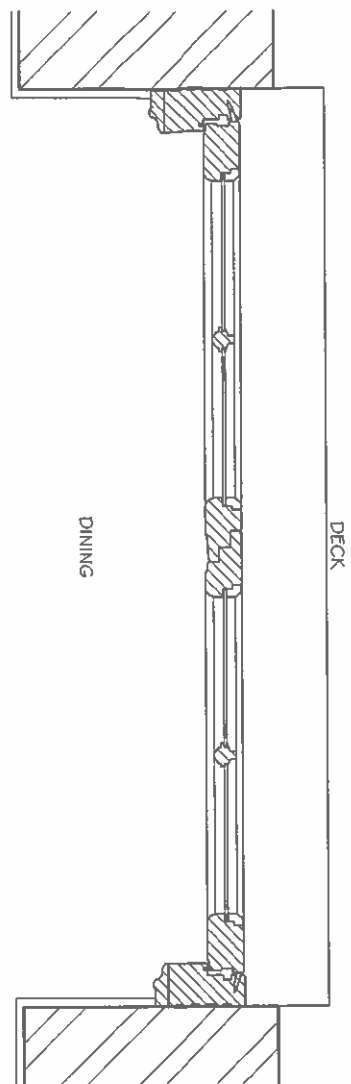


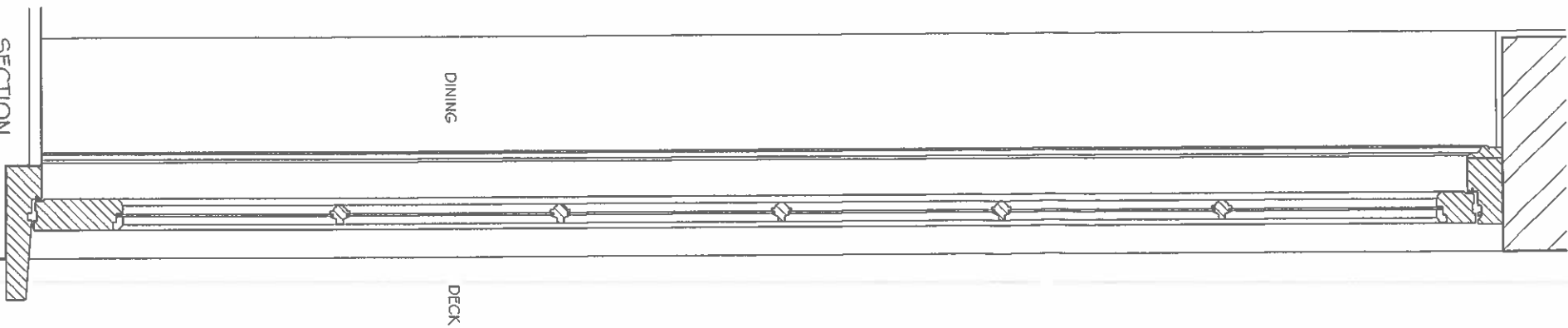
ELEVATION



PLAN



SECTION



Location: D9, D11 & D12.

**DOOR TYPE 4**  
 Softwood timber doors and architrave to match original period features throughout with softwood sub frame and hardwood cill - height and width to suit existing location below.

©2013 Hamilton Associates  
 The copyright of this drawing remains the property of Hamilton Associates. This drawing may not be reproduced either in whole or in part without the express written permission of the author.  
 Figured dimensions only to be taken from the drawing. All dimensions to be checked on site prior to commencement of construction. This drawing must not be used for land transfer purposes. Errors and omissions to be reported to Hamilton Associates immediately.

Notes:  
 PLANNING DRAWING  
 Refer to accompanying plans for door locations.

No.	Date	Revision Details	By
A	21-5	Door locations revised	J.F.

**HAMILTON ASSOCIATES**  
 Property Consultants  
 66 Porchester Road, London, W2 6ET  
 Office: 020-7381-3434  
 Mobile: 07734-847-899  
 Email: edward@hamiltonassociates.co.uk  
 Web: www.hamiltonassociates.co.uk

Client Name:  
 MR. & MRS. C. LEES

Project:  
 7 CHALCOT SQUARE  
 LONDON, NW1 8YB

Scale: 1:10@A3  
 Date: APR 13  
 Drawn by: J.F.

Drawing Title:  
 DOOR PLANS, ELEVATIONS & SECTIONS SHEET 4

Drawing No: 1131-43  
 Rev No: A