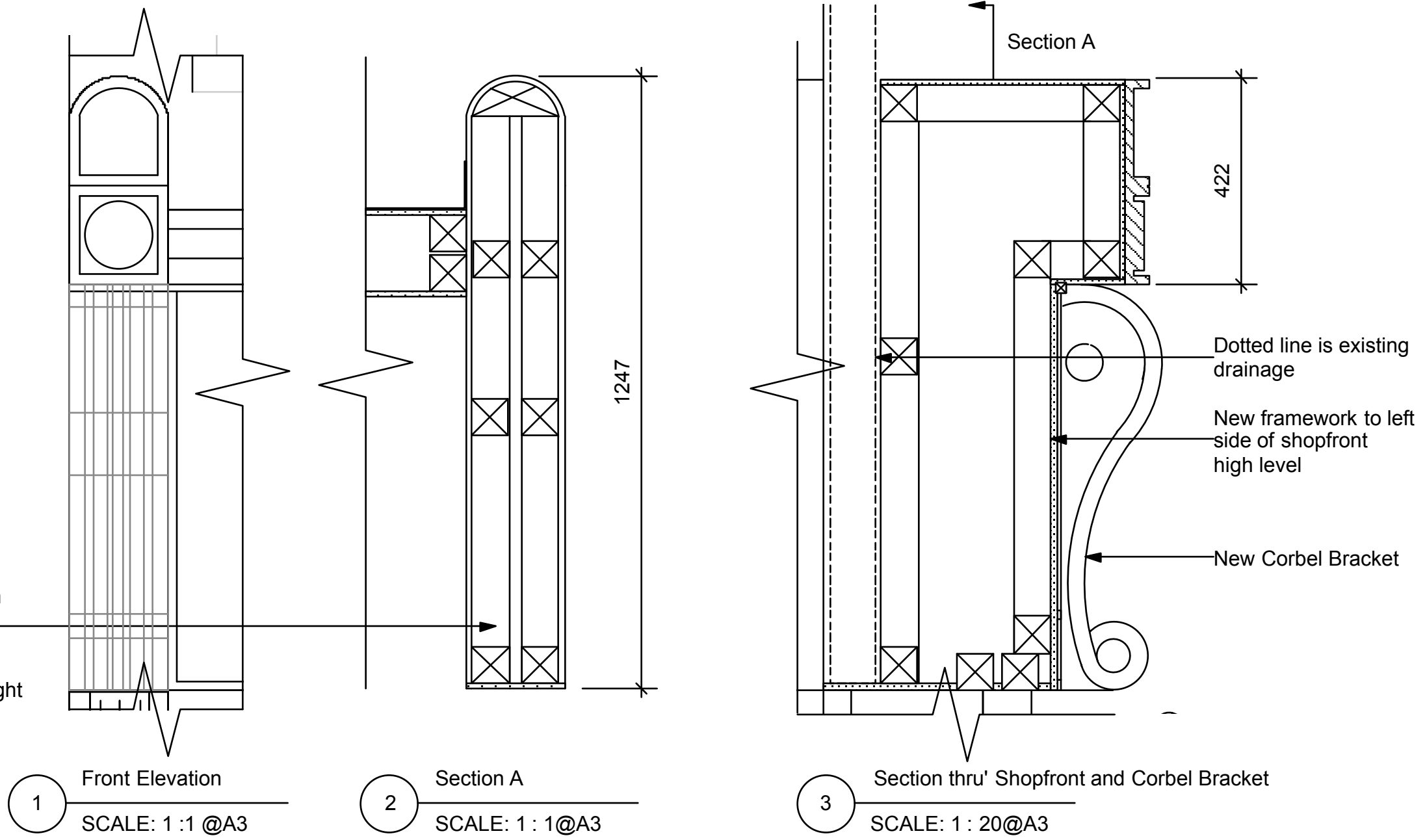


# A-3.2

NOTE:  
ALL DIMENSIONS TO BE CHECKED ON SITE PRIOR TO ANY WORK COMMENCING  
DRAWINGS TO BE READ IN CONJUNCTION WITH ALL REFERENCED DRAWINGS, MATERIALS AND FINISHES SCHEDULES

New corbel bracket made in timber framework mirrored opposite side.  
Contractor to make template from existing on right side.



4 Proposed Front Elevation  
SCALE: 1:20 @A3



## DRAWING ISSUE FOR PLANNING

Portland Design Associates Ltd First Floor 63 Gee Street London EC1V 3RS T +44(0)20 7017 8780 F +44(0)20 7017 8781		
Revision	Date	Amendment
Client: JCREW		
Project: 38 LAMBS CONDUIT STREET, LONDON, WC1N 3LD		
Drawing Title: SHOPFRONT DETAILS		
Date	Scale	Signature
31.08.13	1:20 @A3	CJ
Job Number	Drawing Number	
04037	A-3.2	
Copyright © 2009 Portland Design Associates Limited All rights reserved		
No part of this design work may be reproduced without prior permission of the copyright owners.		
All dimensions and site levels on this drawing to be checked on site and any discrepancies reported to the designer prior to commencement of the work.		
No dimensions to be scaled from this drawing. If in doubt ask.		