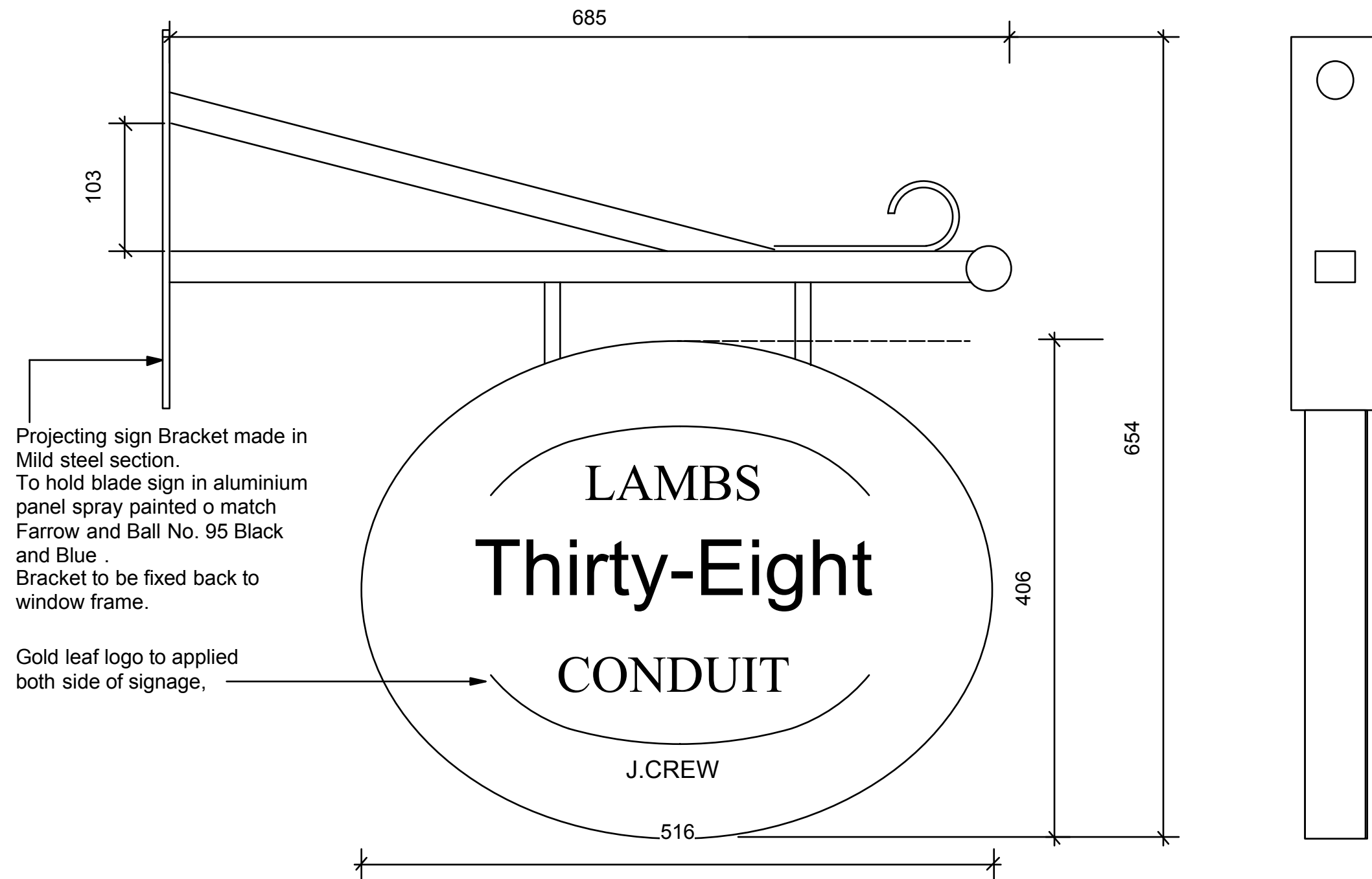


NOTE:
ALL DIMENSIONS TO BE CHECKED ON SITE PRIOR TO ANY WORK COMMENCING DRAWINGS TO BE READ IN CONJUNCTION WITH ALL REFERENCED DRAWINGS, MATERIALS AND FINISHES SCHEDULES



Projecting sign Bracket made in Mild steel section.
To hold blade sign in aluminium panel spray painted to match Farrow and Ball No. 95 Black and Blue .
Bracket to be fixed back to window frame.

Gold leaf logo to applied both side of signage,

1 Elevation of Projecting sign
SCALE: 1:4@A3

1 Section of Projecting sign
SCALE: 1:4@A3

DRAWING ISSUE FOR PLANNING

Portland Design Associates Ltd First Floor 63 Gee Street London EC1V 3RS T +44(0)20 7017 8780 F +44(0)20 7017 8781			
Revision	Date	Amendment	Signature
Client: JCREW			
Project: 38 LAMBS CONDUIT STREET, LONDON, WC1N 3LD			
Drawing Title: Projecting Sign			
Date	Scale	Signature	
31.08.13	1:4 @ A3	CJ	
Job Number	Drawing Number		
04037	A-3.7		
Copyright © 2009 Portland Design Associates Limited All rights reserved. No part of this design work may be reproduced without prior permission of the copyright owners. All dimensions and site levels on this drawing to be checked on site and any discrepancies reported to the designer prior to commencement of the work. No dimensions to be scaled from this drawing, if in doubt ask.			

Please read with drawing A-3.1 Shopfront Section