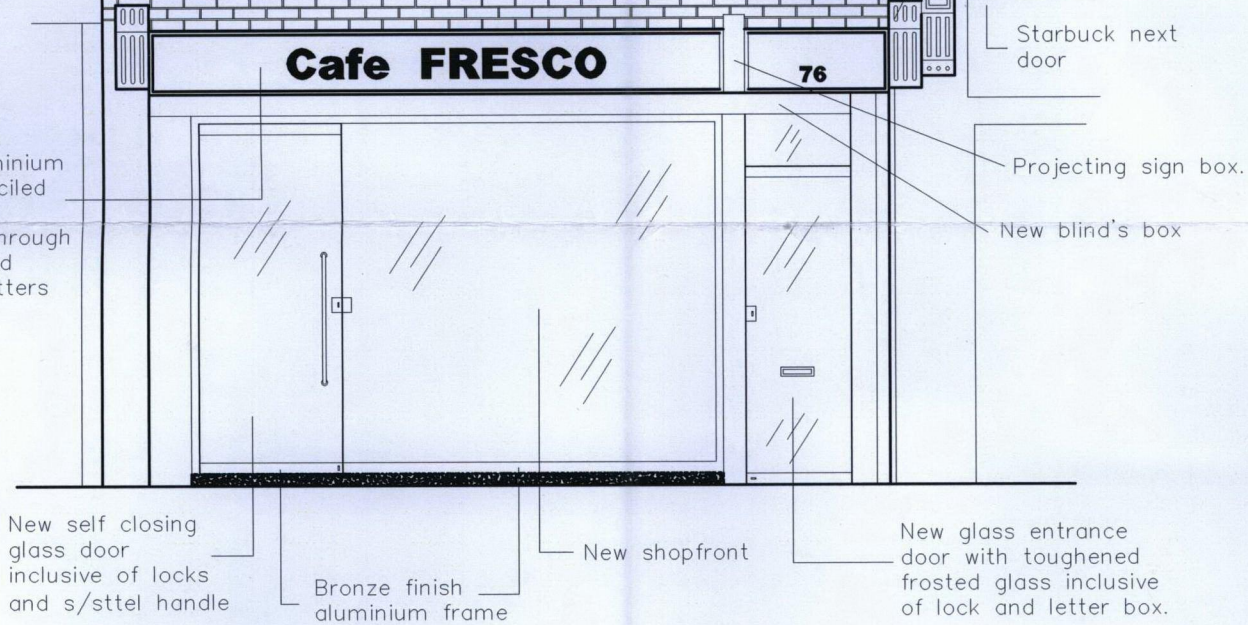
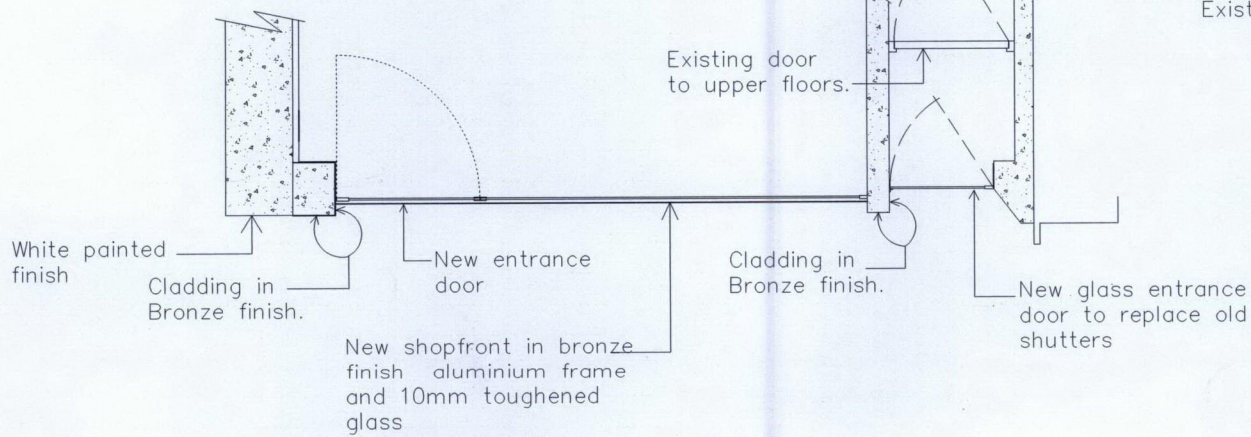
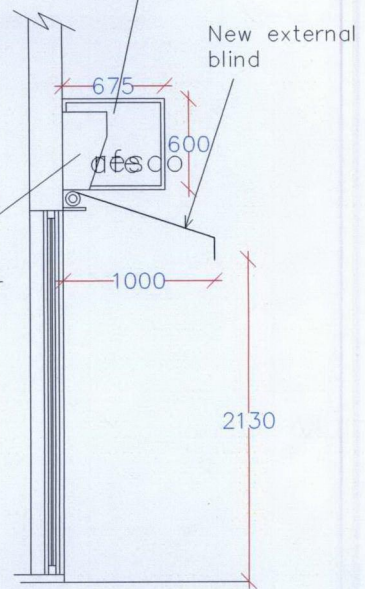


Existing shopfront

New aluminium pan stenciled cut with pushed through illuminated acrylic letters



New illuminated projecting sign box to replace old one.



DRAWING N° MC/13

<p>Proposed new shopfront at 76 Tottenham Court Road London W1T 2HG</p>	<p>Date: July 1913</p>	<p>Scale 1:50</p>	<p>Applicant: Mr. Mario Cattini – Hertroll Ltd. Unit A01– Tower Bridge Business Complex Clements Road – London SE16 4DG</p>
---	----------------------------	-----------------------	---