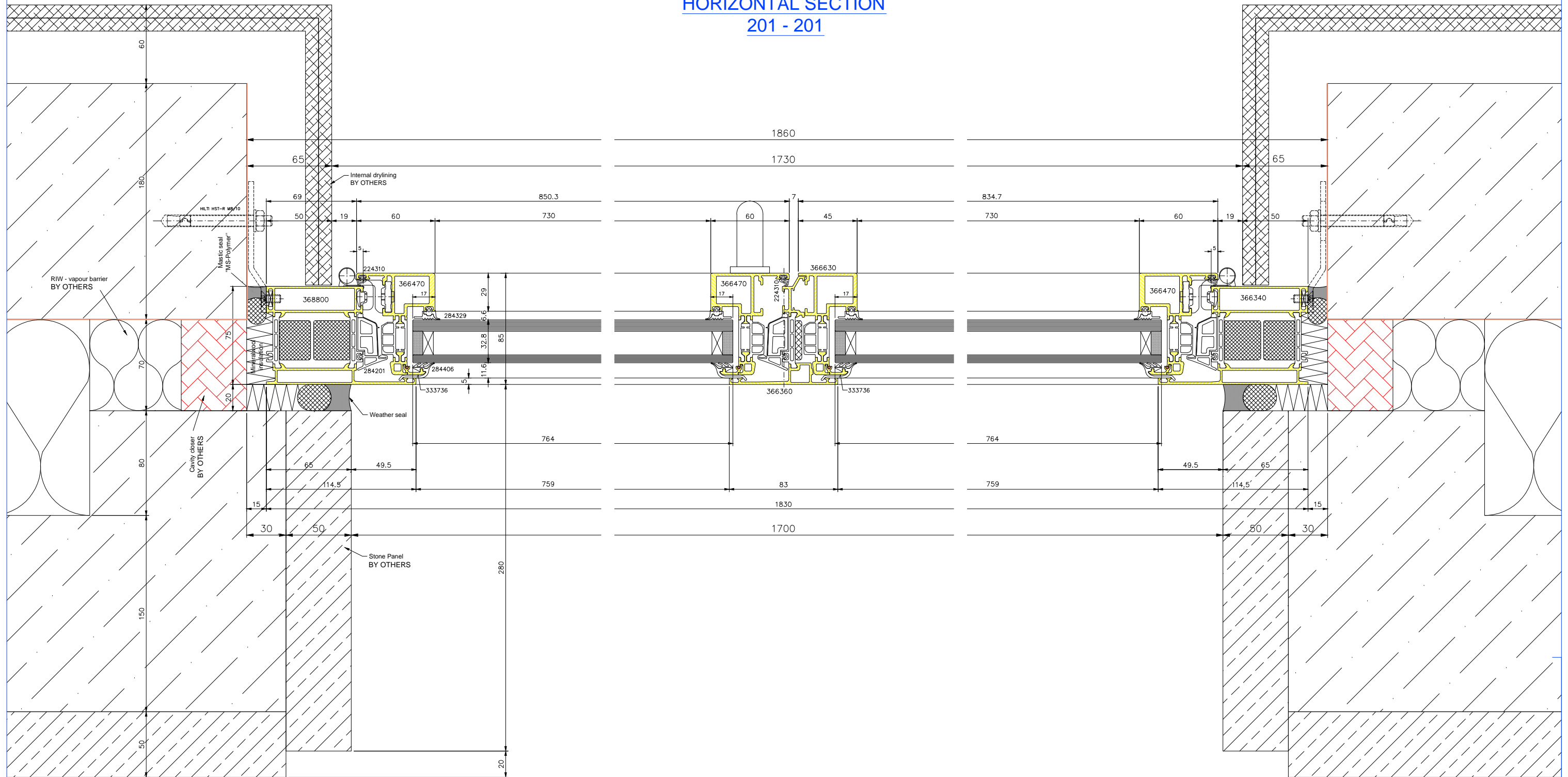


HORIZONTAL SECTION 201 - 201



ELEVATION
see Drawing.-No.: 21471-A-101

Revision	01 amended acc. comments 08.04.13	19.04.2013, sen										
Drawing-No	21471 - A - 201	Revision 01										
CAD-No	A-201b detail section	Drawn by/Date 25.03.2013, sen										
Project	St. Edmunds Terrace, London NW8											
Architect	Squire and Partners, London											
Contractor		Checked										
<table border="1" style="width: 100%; border-collapse: collapse;"> <tr> <td style="width: 15%;">Früh</td> <td style="width: 15%;">Scale: 1:1</td> <td style="width: 15%;">1189 x 841</td> <td style="width: 15%;">Status</td> <td style="width: 40%;"></td> </tr> <tr> <td> <small> Metallbau Früh GmbH / UK Ltd www.metallbau-frueh.com Tel: +49 (0)365 890-0 e-mail: info@metallbau-frueh.com </small> </td> <td colspan="2"> Title: Window Type 04 H-Section 201 - 201 </td> <td> <input type="checkbox"/> A Approved for construction <input type="checkbox"/> B Approved for construction with consideration of the entered corrections, resubmission required <input type="checkbox"/> C Not approved for construction, resubmission required </td> <td style="text-align: right; font-size: 8px;">Copyright by Metallbau Früh</td> </tr> </table>			Früh	Scale: 1:1	1189 x 841	Status		<small> Metallbau Früh GmbH / UK Ltd www.metallbau-frueh.com Tel: +49 (0)365 890-0 e-mail: info@metallbau-frueh.com </small>	Title: Window Type 04 H-Section 201 - 201		<input type="checkbox"/> A Approved for construction <input type="checkbox"/> B Approved for construction with consideration of the entered corrections, resubmission required <input type="checkbox"/> C Not approved for construction, resubmission required	Copyright by Metallbau Früh
Früh	Scale: 1:1	1189 x 841	Status									
<small> Metallbau Früh GmbH / UK Ltd www.metallbau-frueh.com Tel: +49 (0)365 890-0 e-mail: info@metallbau-frueh.com </small>	Title: Window Type 04 H-Section 201 - 201		<input type="checkbox"/> A Approved for construction <input type="checkbox"/> B Approved for construction with consideration of the entered corrections, resubmission required <input type="checkbox"/> C Not approved for construction, resubmission required	Copyright by Metallbau Früh								