

a s s h o w n

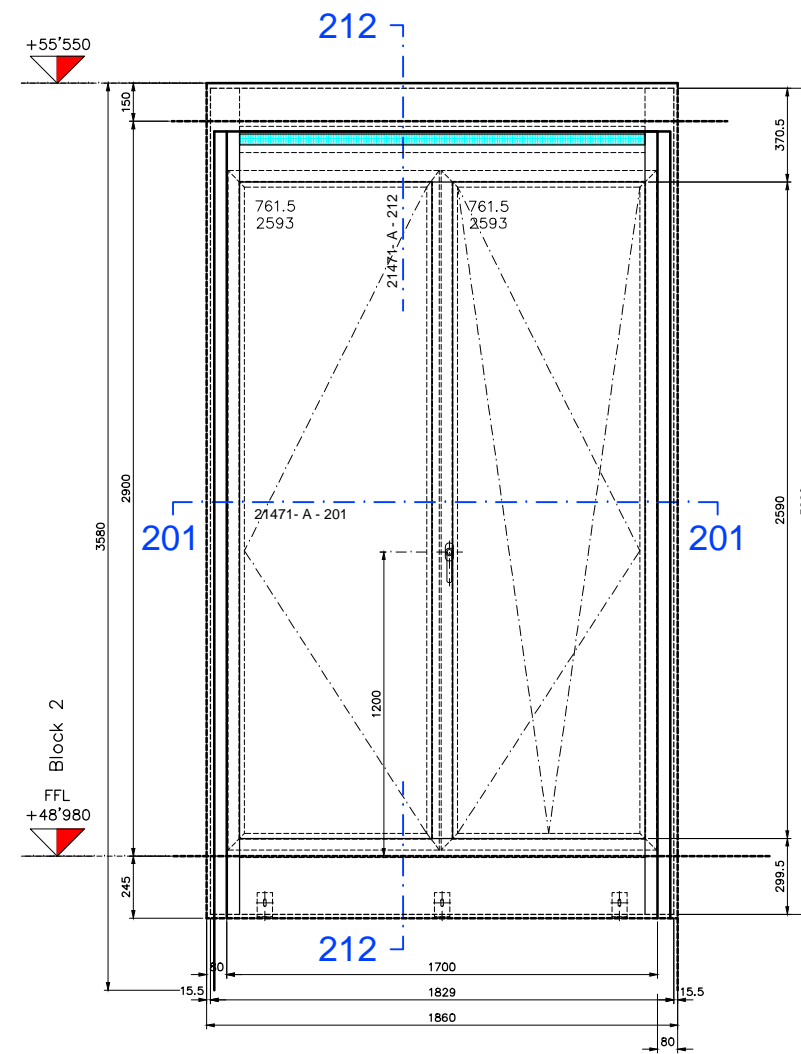
with Trickle vent (T)

BLOCK 2

Pos. 430-0

Pos. 431-0

Secured by Design
RC2N to BS EN 1627



a s s h o w n

with Kitchen ventilation

BLOCK 2

Pos. 429-0

Pos. 432-0

Secured by Design
RC2N to BS EN 1627

Revision	01	amended	02.08.2013	sen	
Drawing-No	21471 - A - 104			Revision	01
CAD-No	A-201d detail section			Drawn by/Date	01.07.13 E. Senkow
Project	St. Edmunds Terrace, London NW8				
Architect	Squire and Partners, London				
Contractor		Checked			
Früh	Scale:	1:10	1189 x 841	Status	
Metallbau Früh GmbH / UK Ltd www.metallbau-frueh.com Tel: +49 (0)365 890-0 e-mail: info@metallbau-frueh.com	Title:	Window Type 04 Ground Level Elevation			<input type="checkbox"/> A Approved for construction <input type="checkbox"/> B Approved for construction with consideration of the entered corrections, resubmission required <input type="checkbox"/> C Not approved for construction, resubmission required