

as shown

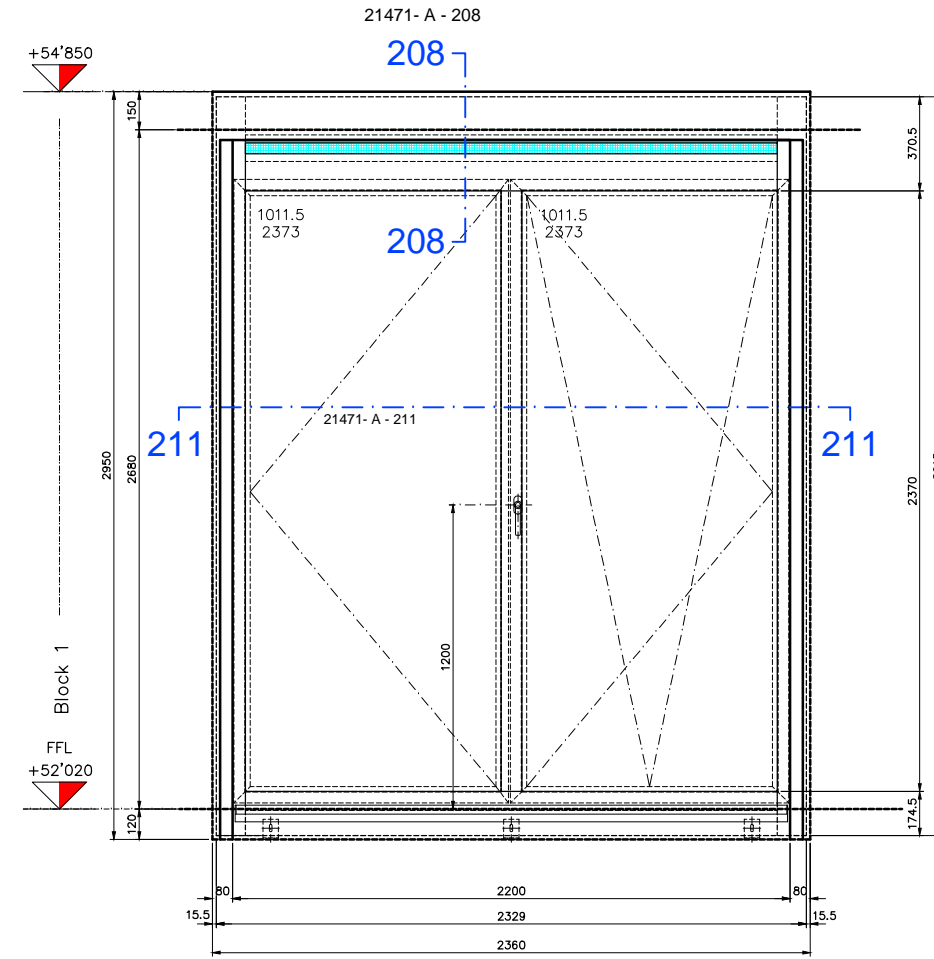
with Trickle vent (T)

BLOCK 1  
Pos. 415-1  
Pos. 416-1  
Pos. 417-1

as shown

without

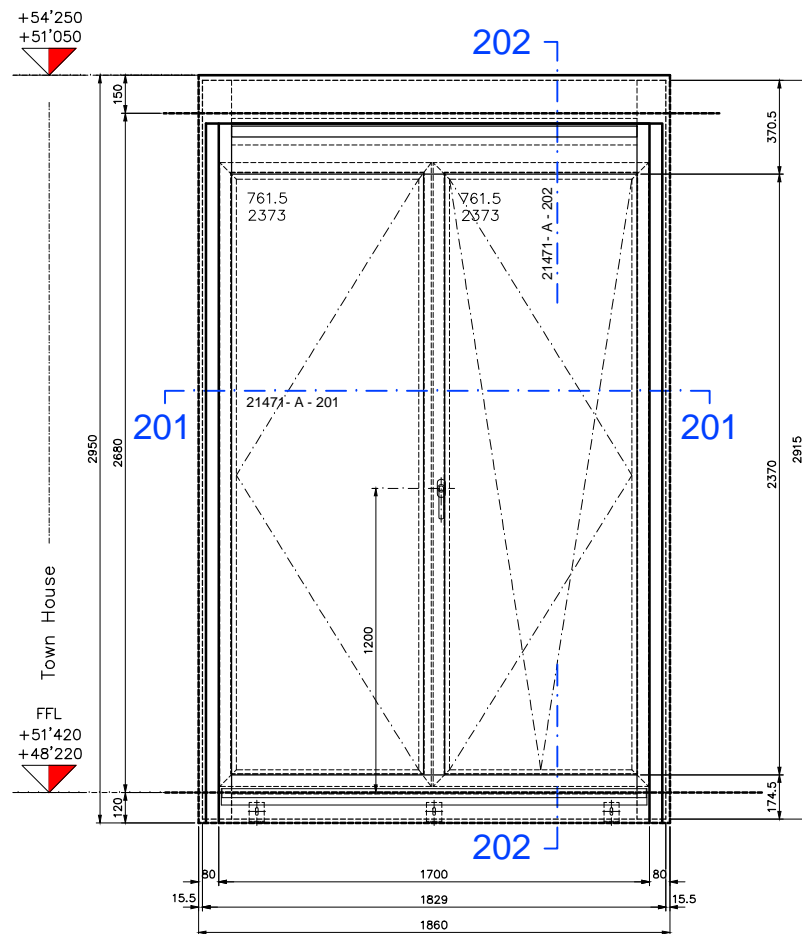
BLOCK 1  
Pos. 418-1



as shown

with Kitchen ventilation

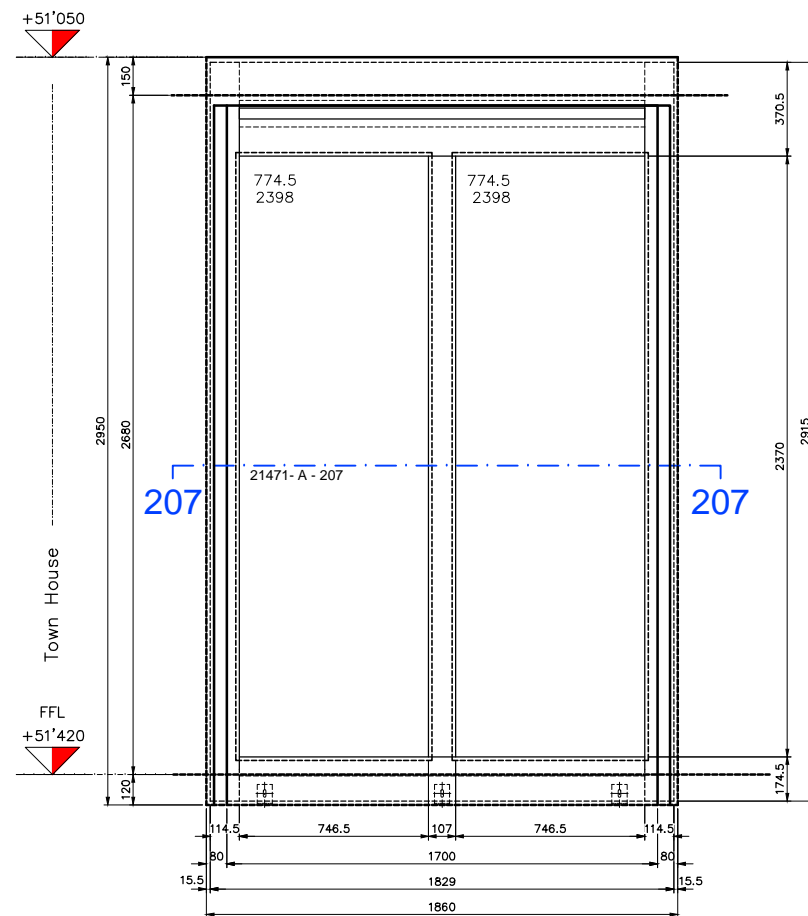
BLOCK 1  
Pos. 414-1



as shown

without

BLOCK 1 Town House  
Pos. 454-1  
Pos. 455-0  
Pos. 455-1  
Pos. 458-1  
Pos. 459-1



as shown

without

BLOCK 1 Town House  
Pos. 452-1  
Pos. 453-1  
Pos. 456-1  
Pos. 457-1

**FOR CONSTRUCTION**

Revision	01	amended acc. comments 17.07.13	02.08.2013	sen
Drawing-No	21471 - A - 103		Revision	01
CAD-No	A-201d detail section		Drawn by/Date	25.06.13 E: Senkow
Project	St. Edmunds Terrace, London NW6			
Architect	Squire and Partners, London			
Contractor		Checked		
		Scale:	1:10	1189 x 841
Title: Window Type 04 Level 1 + Town House Elevation		Status:	<input type="checkbox"/> A Approved for construction <input type="checkbox"/> B Approved for construction with consideration of the entered corrections, resubmission required <input type="checkbox"/> C Not approved for construction, resubmission required	
Copyright by Metallbau Fruh				