

as shown

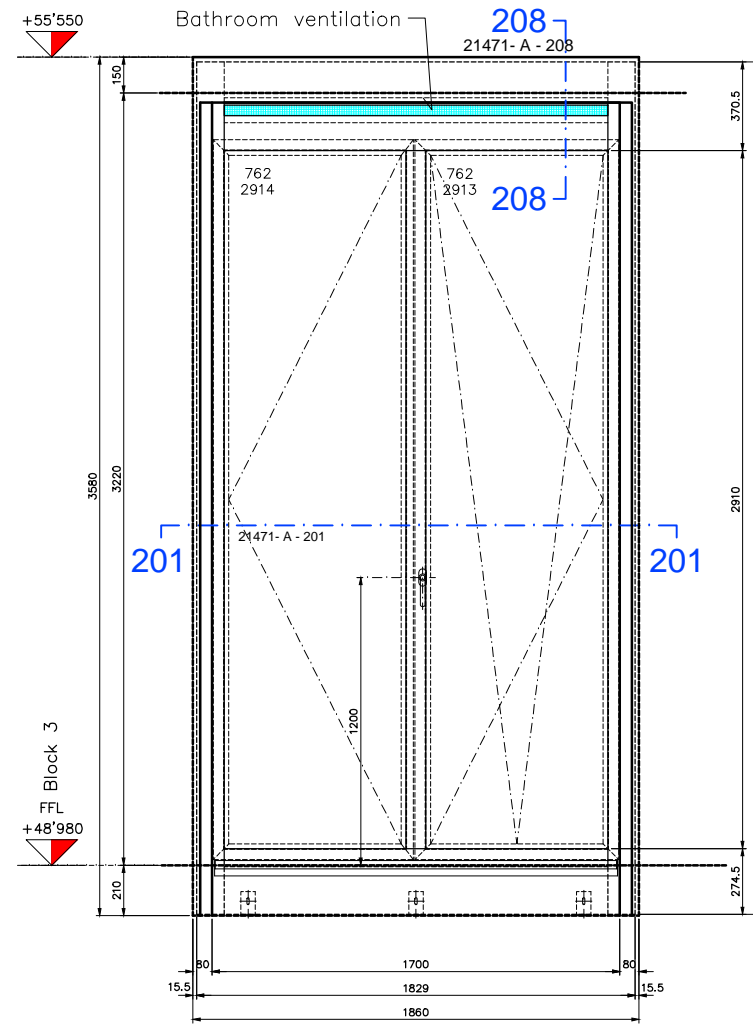
with Trickle vent (T)

- BLOCK 3
- Pos. 433-0
- Pos. 435-0
- Pos. 436-0
- Pos. 440-0
- Pos. 447-0

as shown

without

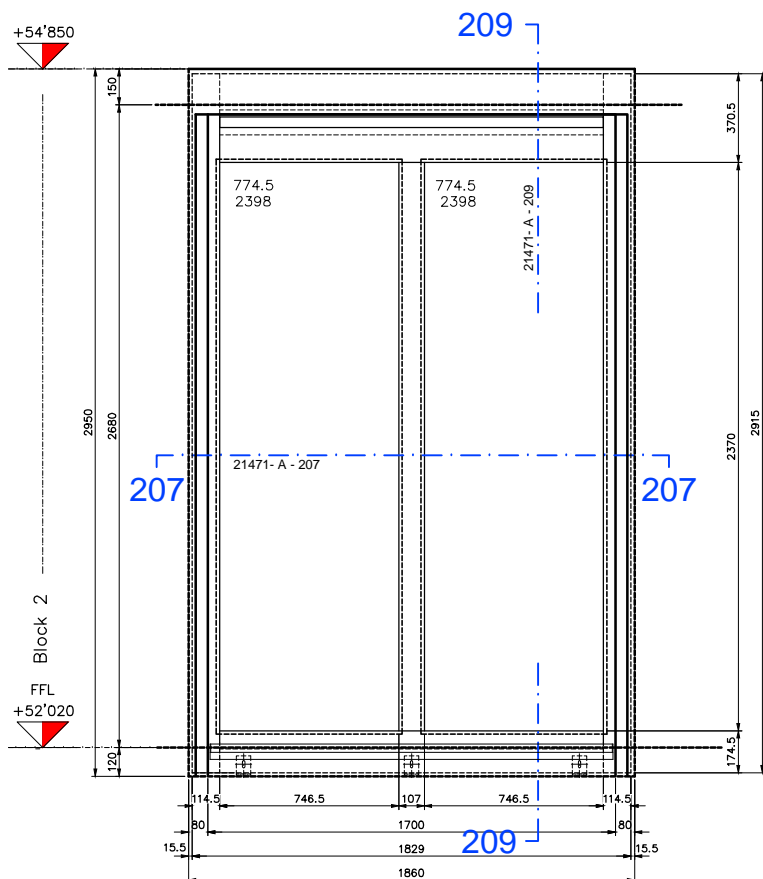
- BLOCK 3
- Pos. 439-0
- Pos. 448-0
- Pos. 450-0
- Pos. 451-0



as shown

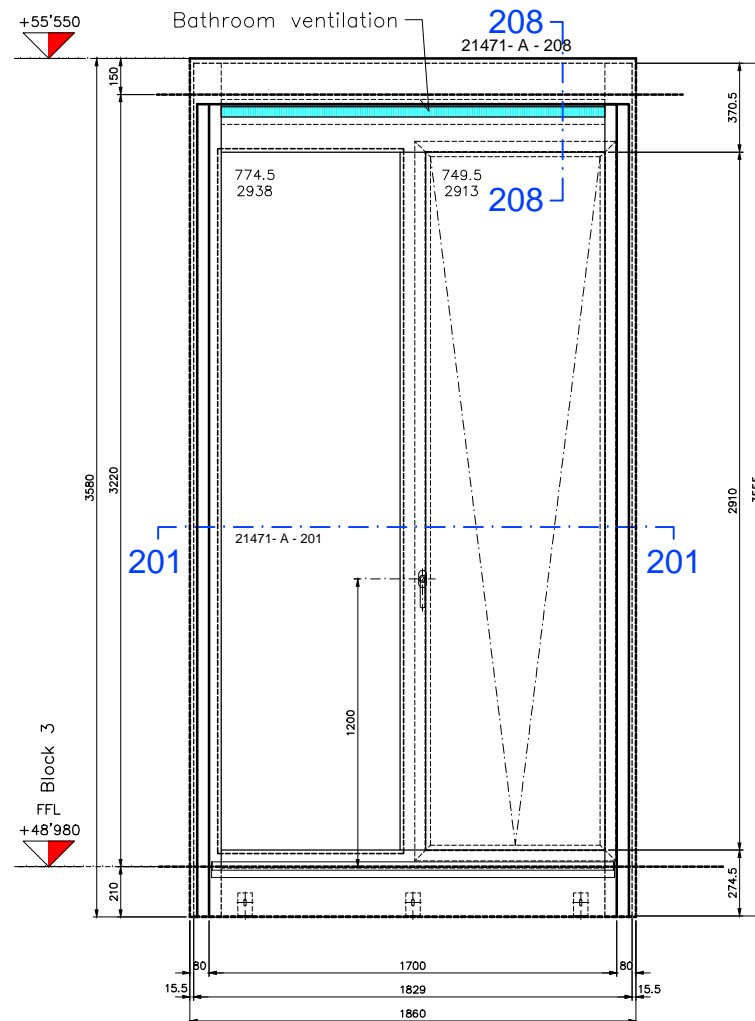
with Bathroom ventilation  
with Kitchen ventilation

- BLOCK 3
- Pos. 434-0
- Pos. 438-0
- Pos. 449-0



without

- BLOCK 2
- Pos. 426-1



as shown

with Bathroom ventilation

- BLOCK 3
- Pos. 437-0

**FOR CONSTRUCTION**

Revision	01	amended occ. comments 17.07.13	02.08.2013, sen
Drawing-No	21471 - A - 102	Revision	01
CAD-No	A-201d detail section	Drawn by/Date	25.06.13 E. Squires
Project	St. Edmunds Terrace, London NW8	Architect	Squire and Partners, London
Contractor		Checked	

<b>Fruh</b>	Scale:	1:10	1189 x 900	Status	
Metalbau Fröh GmbH / UK Ltd www.metalbau-fruh.com Tel: +49 (0)7865 8910-0 e-mail: metalbau@metalbau-fruh.com	Title:	Window Type 04 Level 1 + Ground Floor Elevation	<input type="checkbox"/> A	Approved for construction	
			<input type="checkbox"/> B	Approved for construction with consideration of the external corrections, readmission required	
			<input type="checkbox"/> C	Not approved for construction, readmission required	