

as shown
with Trickle vent (T)

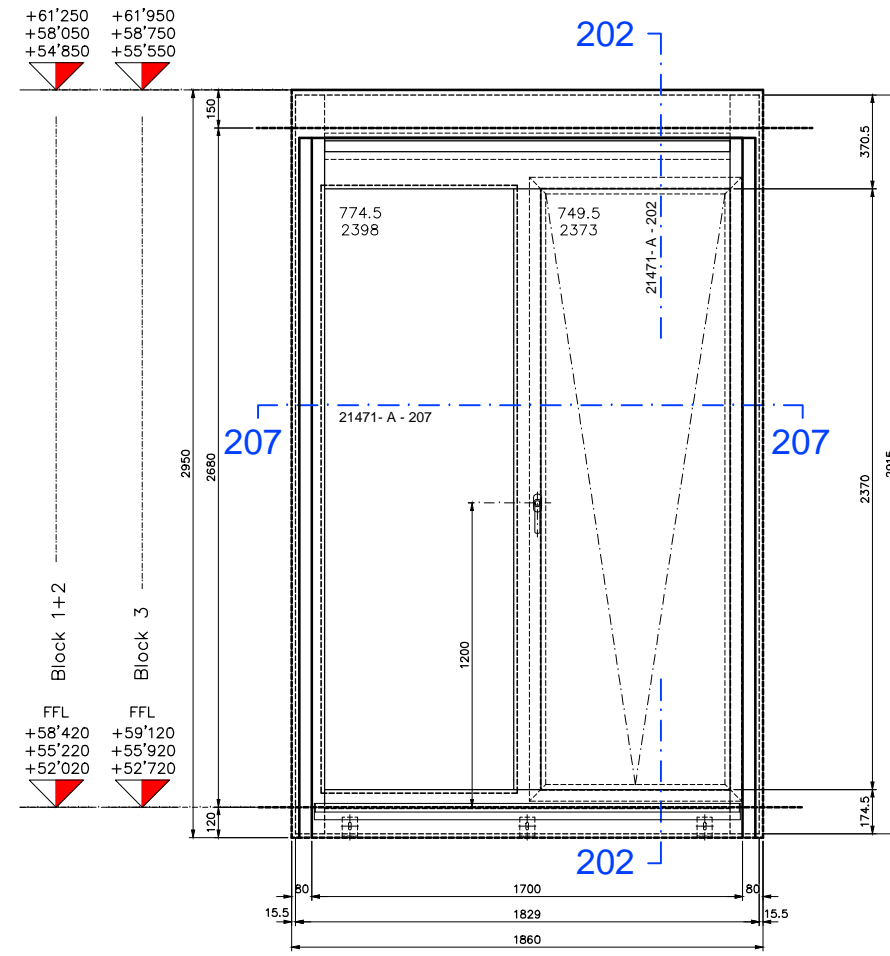
BLOCK 1	BLOCK 2	BLOCK 3
Pos. 402-2	Pos. 419-1	Pos. 438-2
Pos. 402-3	Pos. 419-2	Pos. 438-3
Pos. 404-1	Pos. 419-3	Pos. 440-2
Pos. 406-2	Pos. 422-1	Pos. 440-3
Pos. 406-3	Pos. 422-2	Pos. 441-1
Pos. 407-1	Pos. 422-3	Pos. 442-2
Pos. 408-2	Pos. 426-2	Pos. 442-3
Pos. 408-3	Pos. 426-3	Pos. 444-2
Pos. 410-2	Pos. 427-1	Pos. 444-3
Pos. 410-3	Pos. 428-1	Pos. 448-1
Pos. 412-1		Pos. 448-2
Pos. 412-2 *		Pos. 448-3
Pos. 412-3 *		Pos. 450-1
		Pos. 450-2
		Pos. 450-3

as shown
without

BLOCK 1	BLOCK 2	BLOCK 3
Pos. 405-1	Pos. 421-2	Pos. 434-1
Pos. 406-1	Pos. 421-3	Pos. 434-2
Pos. 415-2 *	Pos. 424-2	Pos. 434-3
Pos. 415-3 *	Pos. 424-3	Pos. 444-1
Pos. 417-2 *	Pos. 431-2	
Pos. 417-3 *	Pos. 431-3	

* fixed to steel structur

ELEVATION

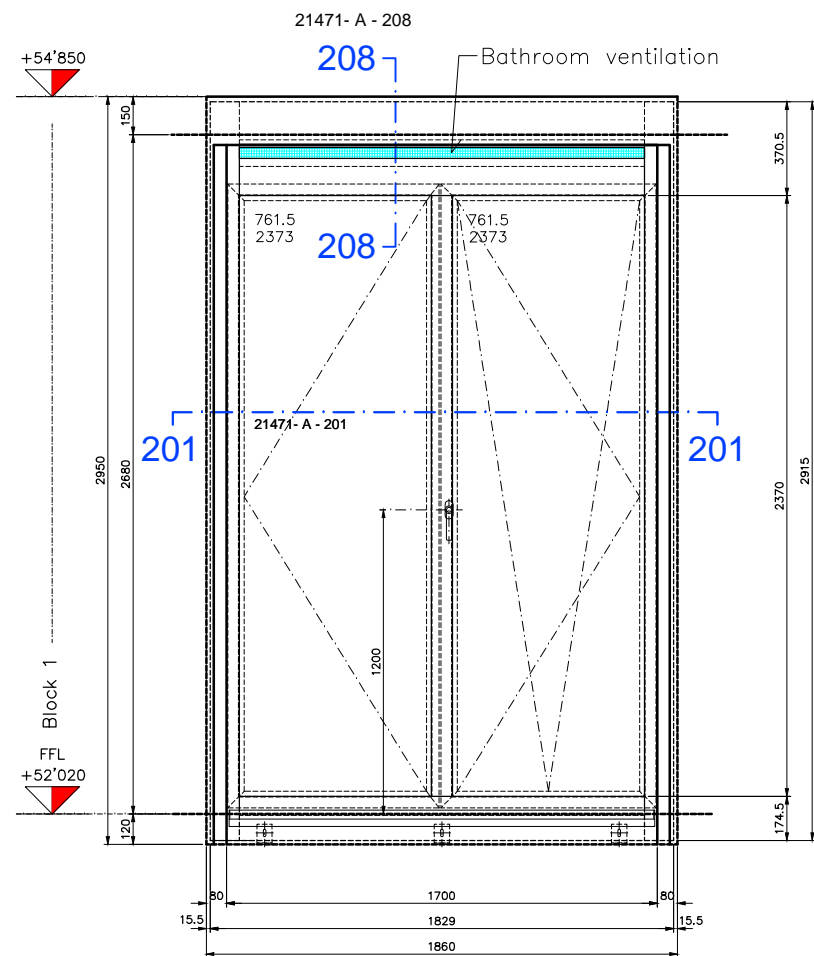


as shown
without

BLOCK 1
Pos. 403-1 / Opaque glazing

BLOCK 2
Pos. 427-2 / Opaque glazing
Pos. 427-3 / Opaque glazing
Pos. 430-2
Pos. 430-3

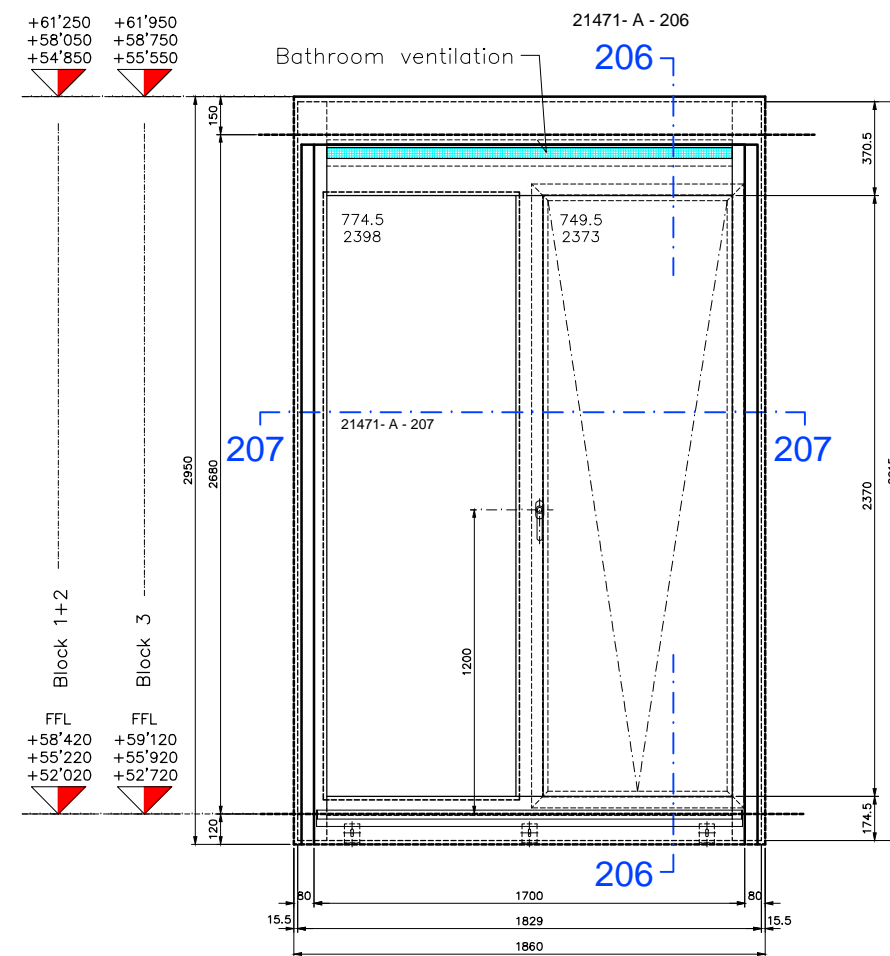
BLOCK 3
Pos. 445-1 / Opaque glazing
Pos. 445-2 / Opaque glazing
Pos. 445-3 / Opaque glazing



as shown
with Bathroom ventilation
with Kitchen ventilation

BLOCK 1	BLOCK 2	BLOCK 3
Pos. 401-1	Pos. 421-1	Pos. 436-1
Pos. 402-1	Pos. 423-2	Pos. 436-2
Pos. 404-2	Pos. 423-3	Pos. 436-3
Pos. 404-3	Pos. 425-1	Pos. 440-1
Pos. 409-2	Pos. 430-1	Pos. 441-2
Pos. 409-3	Pos. 431-1	Pos. 441-3
Pos. 411-2		Pos. 442-1
Pos. 411-3		Pos. 443-1
Pos. 413-1		Pos. 443-2
		Pos. 443-3

Pos. 434-1



as shown
with Bathroom ventilation
with Kitchen ventilation

BLOCK 1
Pos. 413-2 *
Pos. 413-3 *

BLOCK 2
Pos. 420-1 / Opaque glazing
Pos. 420-2
Pos. 420-3
Pos. 425-2 / Opaque glazing
Pos. 425-3 / Opaque glazing
Pos. 428-2 / Opaque glazing
Pos. 428-3 / Opaque glazing

BLOCK 3
Pos. 438-1
Pos. 446-1 / Opaque glazing
Pos. 446-2 / Opaque glazing
Pos. 446-3 / Opaque glazing

FOR CONSTRUCTION

Revision 03	amended acc. comments 17.07.13	04.09.2013	sen
Revision 02	general amendment	24.06.2013	sen
Revision 01	Type 6 amended	06.04.2013	sen

Drawing-No	21471 - A - 101	Revision	03
CAD-No	A-201d detail section	Drawn by/Date	20.06.13 E. Senkow
Project	St. Edmunds Terrace, London NW6	Architect	Squire and Partners, London
Contractor		Checked	

Scale:	1:10	1189 x 841	Status	
Title:	Window Type 04		<input type="checkbox"/> A	Approved for construction
Level 1 ; 2 ; 3	Elevation		<input type="checkbox"/> B	Approved for construction with consideration of the entered corrections, resubmission required
			<input type="checkbox"/> C	Not approved for construction, resubmission required