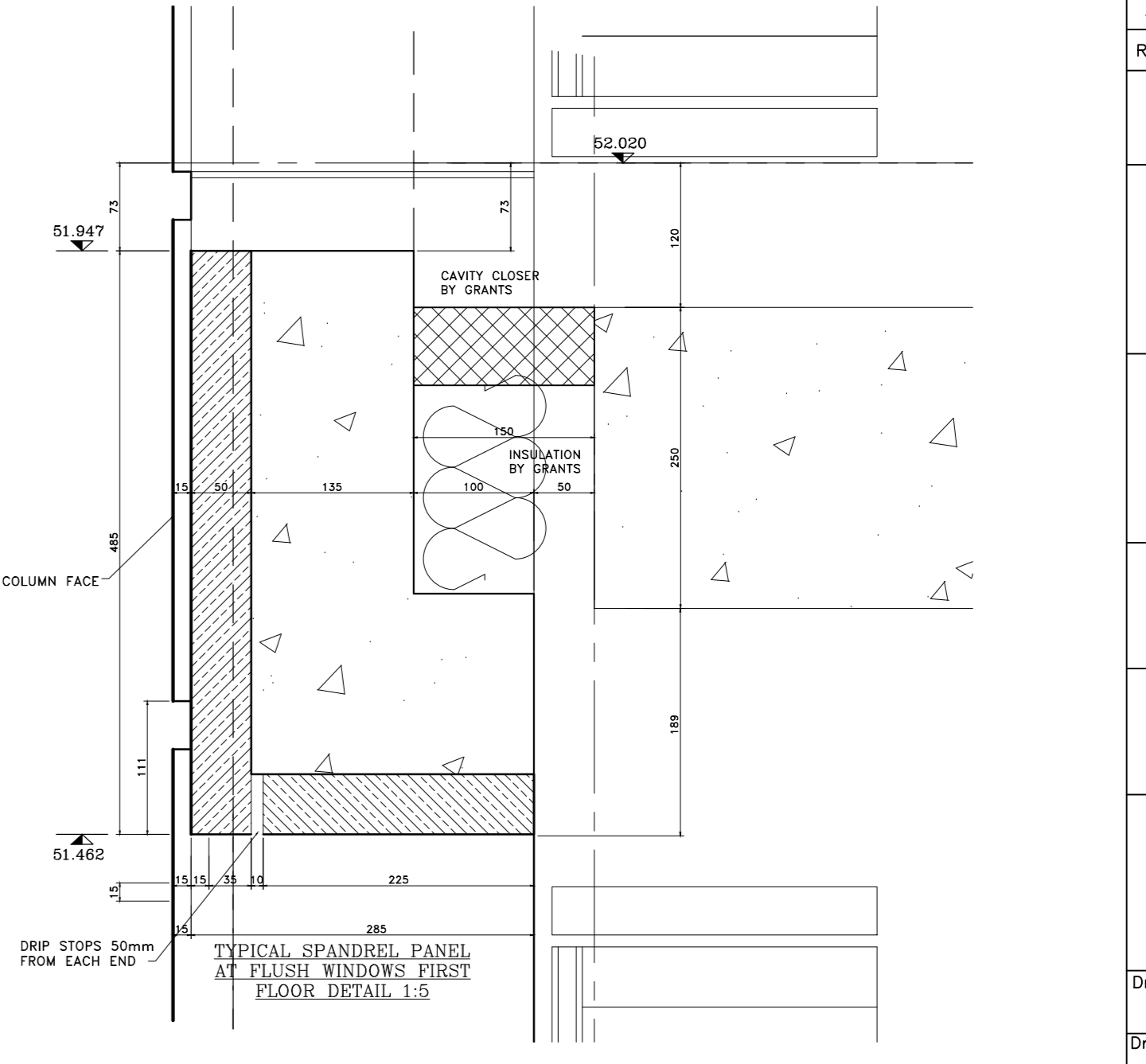
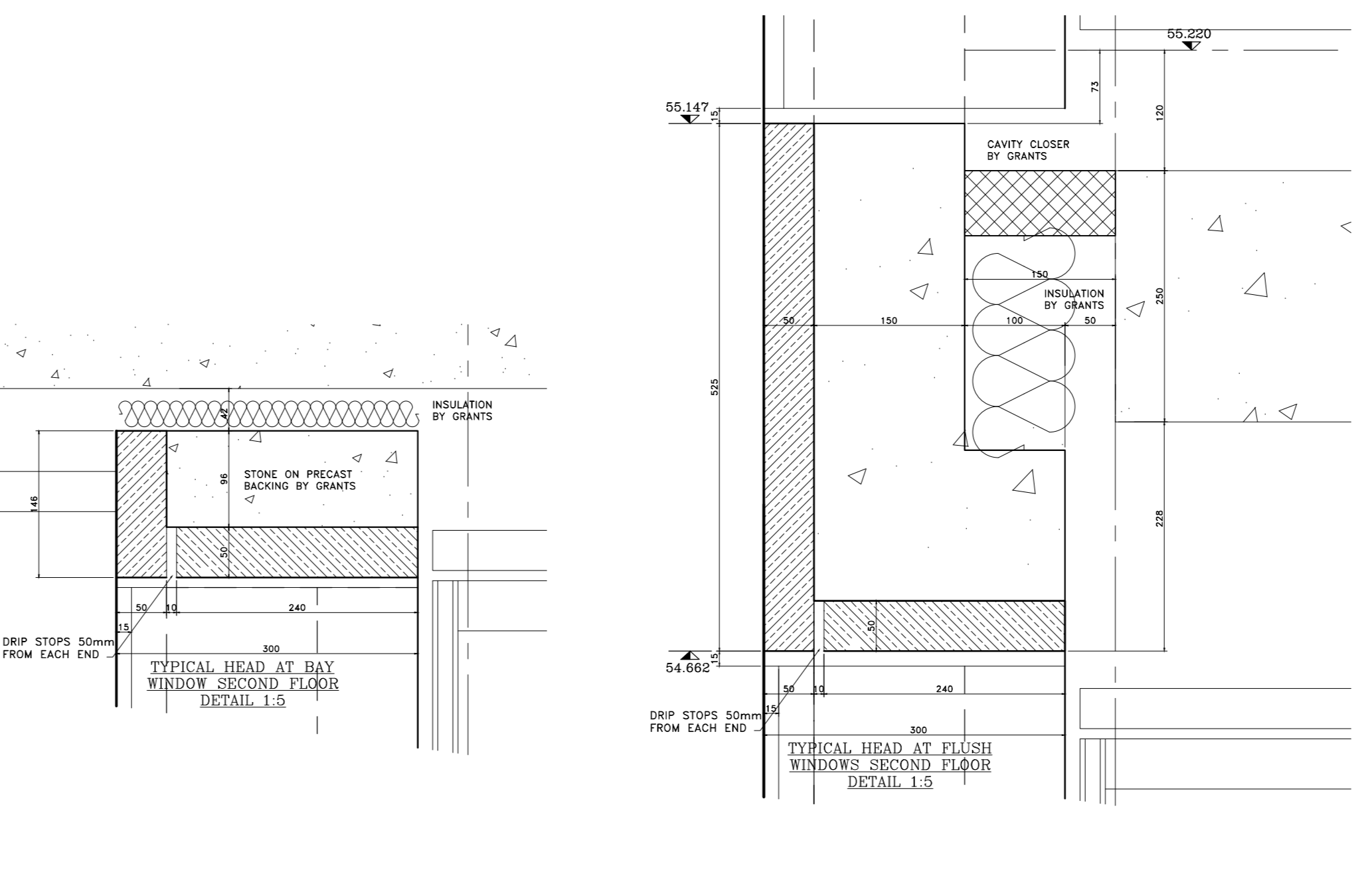
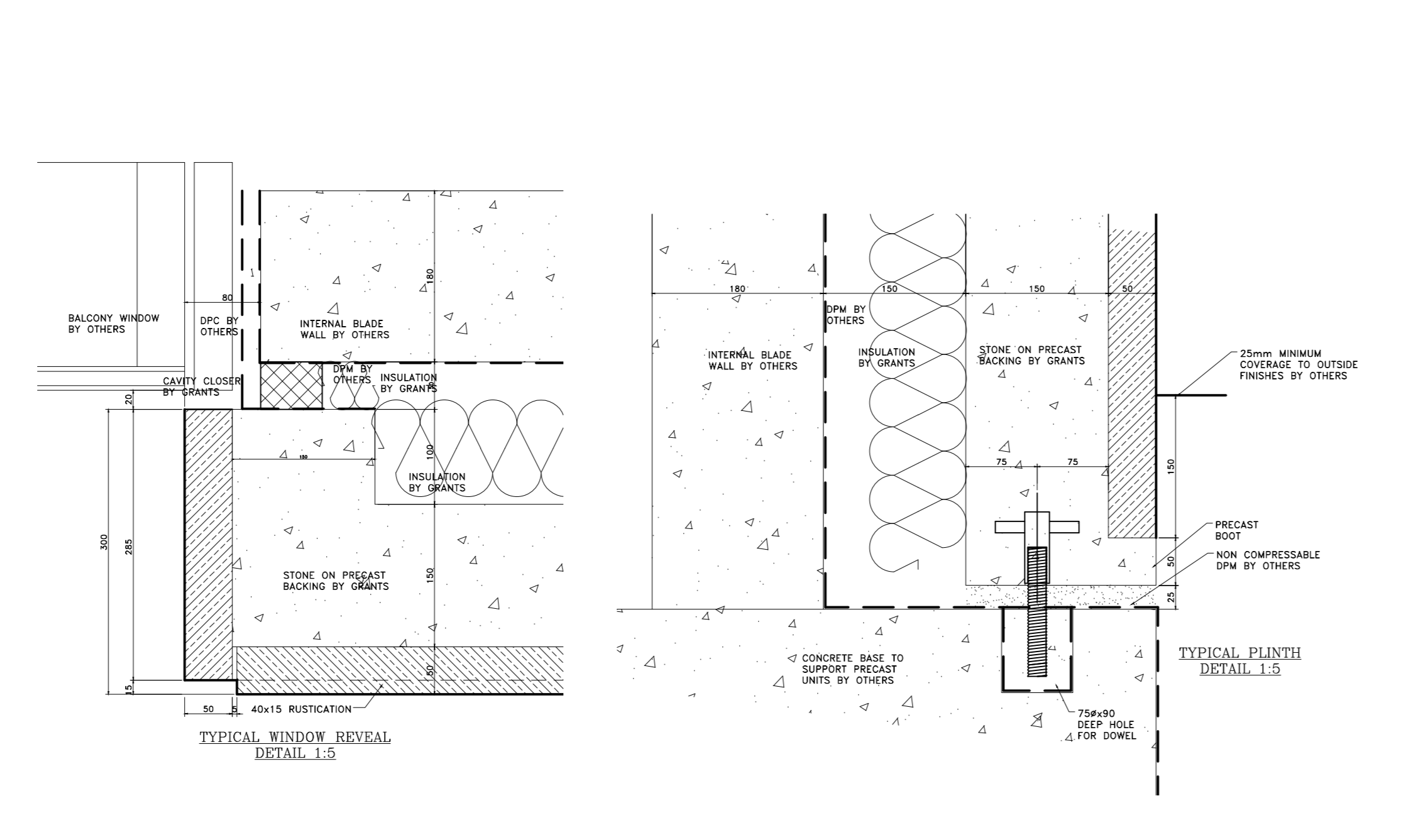
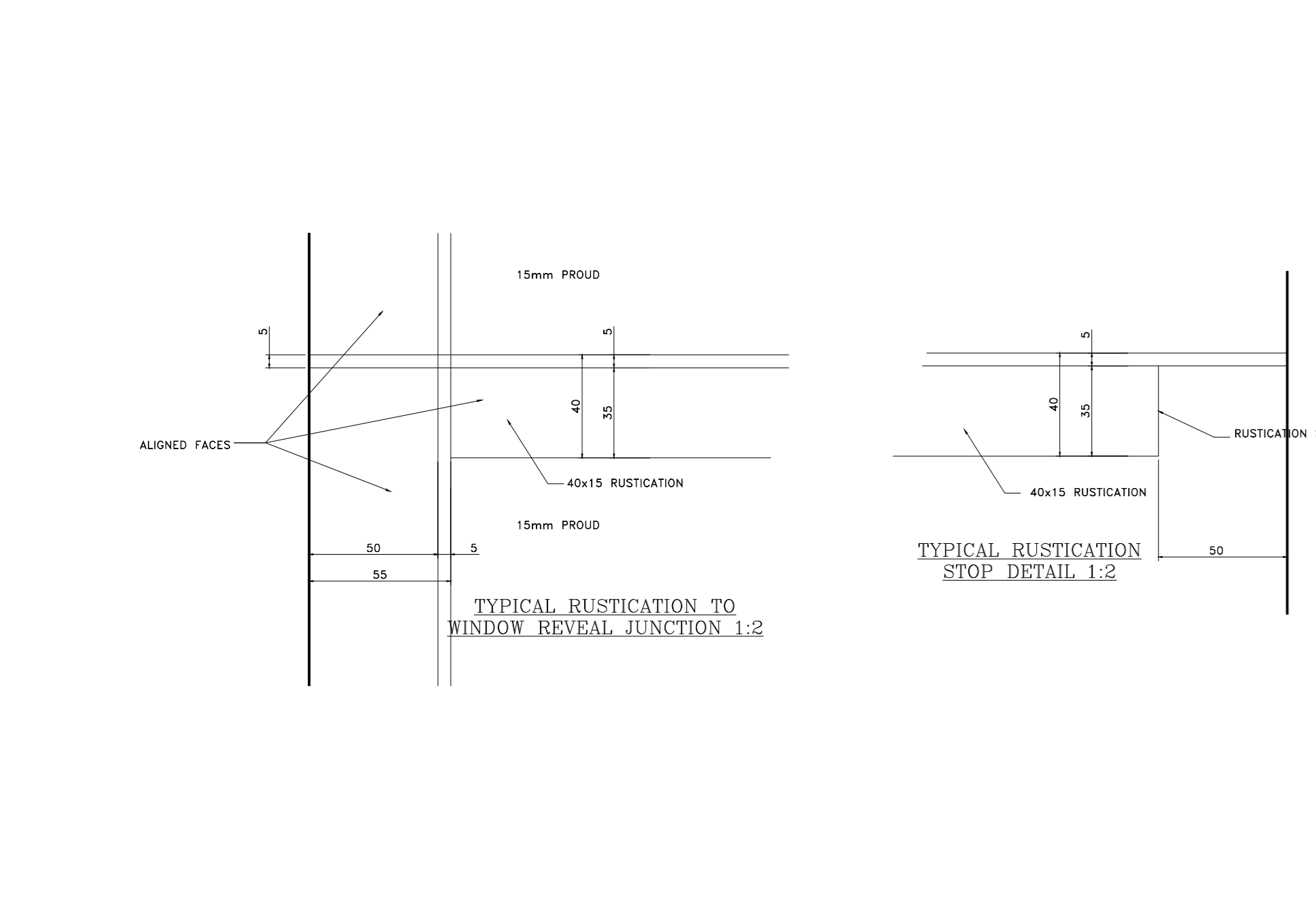


**Notes:**  
 STONE TYPE TO RUSTICATED STONEWORK TO BE PORTLAND BOWERS ROACH SAMPLE AND RANGE TO BE APPROVED.  
 STONE TYPE TO NON RUSTICATED STONEWORK TO BE PORTLAND FANCY BEACH WHITBED SAMPLE AND RANGE TO BE APPROVED.  
 STONE TYPE TO PLINTH STONEWORK TO BE GRANITE (SAMPLE TO BE APPROVED).  
 STANDARD JOINTS TO BE 6mm FULLY POINTED TO APPROVED SAMPLE.  
 ALL MASTIC JOINTS TO MATCH APPROVED SAMPLES.  
 ALL FIXING RESTRAINTS TO BE STAINLESS STEEL GRADE 304 AND TO BE ISOLATED FROM THE MILD STEEL TO PREVENT BIMETALLIC REACTION.  
 ALL STONES SHOULD HAVE NUMBERS MARKED ON UNSEEN FACES AND BE PROVIDED AS PER THE CUTTING SCHEDULES.  
 INSULATION TO BE KINGSPAN TWISS.  
 ALL WATERPROOFING DPM BY OTHERS.

**CDM Regulations**  
 Design Risk Assessment:  
 The size and shape of individual stones for this project have been designed to satisfy the overall design requirements for the building. All persons handling and fixing such stones should be aware that there are risks associated with this type of work that cannot be designed out.  
**RISK: INJURY**  
 Risk Reduction:  
 Fixers must be suitably experienced in the handling of stones and employ lifting methods appropriate to the size and shape of that component. Access and platforms must be to the standard required by current legislation. References must always be made to COSHH information for the materials being used.



A Updated to Architects comments.		24.07.13
Rev.	Reason For Issue	Date
This drawing is the property of Grants and is to be used only for the contracted project. Grants are not responsible for any errors occurring through the use of this drawing by other parties. Do not scale drawings.		
 GRANTS OF SHOREDITCH LTD GRANTS HOUSE, PROSPECT WAY HATFIELD, BREKENTWOOD ESSEX, CM13 1XD 01273 700000 Fax: 01273 700000 E: info@grants.co.uk		
Project: <b>ST EDMUNDS TERRACE LONDON</b>		
Architect: <b>SQUIRE AND PARTNERS</b>		
Contractor: <b>MACE</b>		
Drawing Title: <b>BLOCK 1 EAST ELEVATION RIGHT HAND END CHECKED TO SECOND FLOOR</b>		
Drawn By: <b>JM</b>	Scale: <b>1:25 @ A0</b>	Date: <b>7/06/13</b>
Drawing No: <b>3205-A-GA-1042</b>		Revision: <b>A</b>