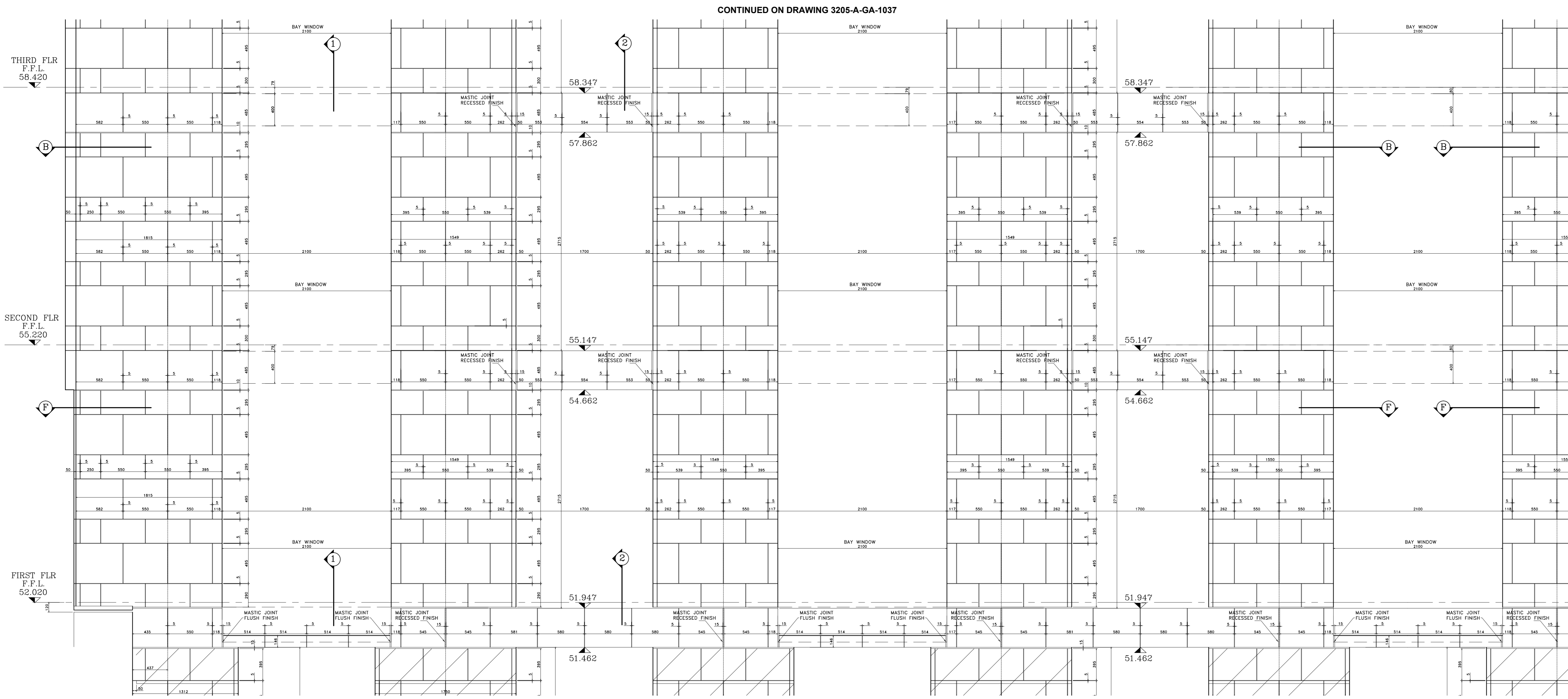
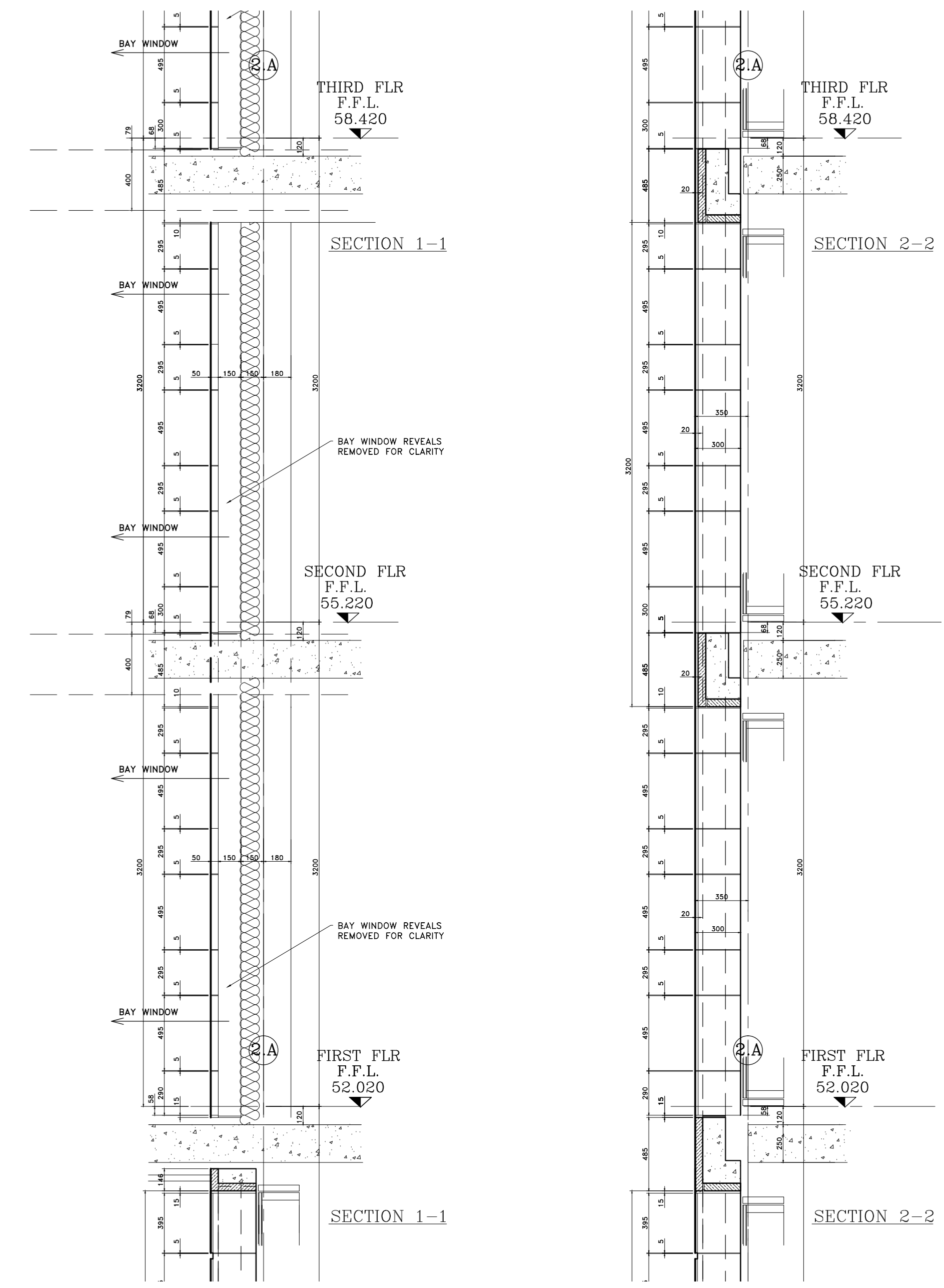


CONTINUED ON DRAWING 3205-A-GA-1030

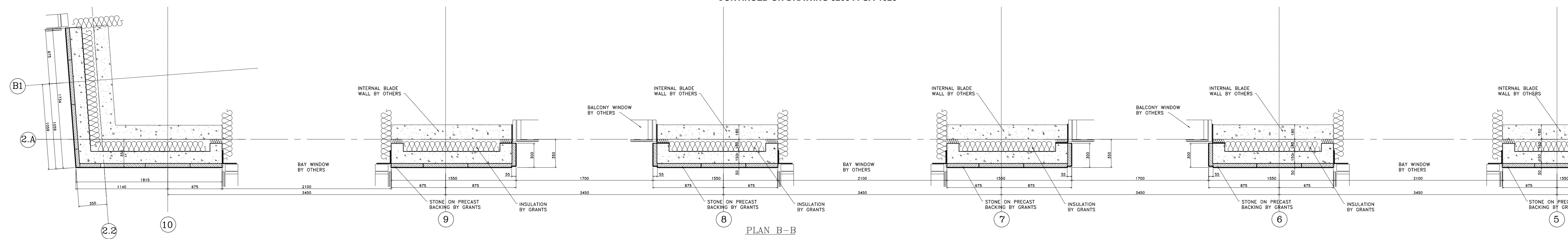


CONTINUED ON DRAWING 3205-A-GA-1037

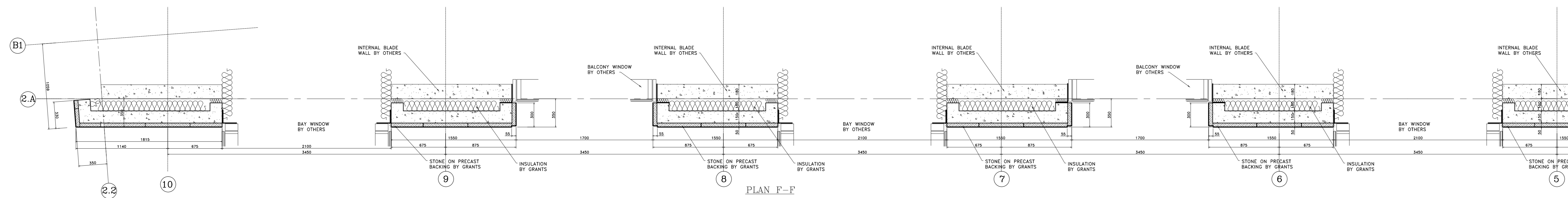
CONTINUED ON DRAWING 3205-A-GA-1032



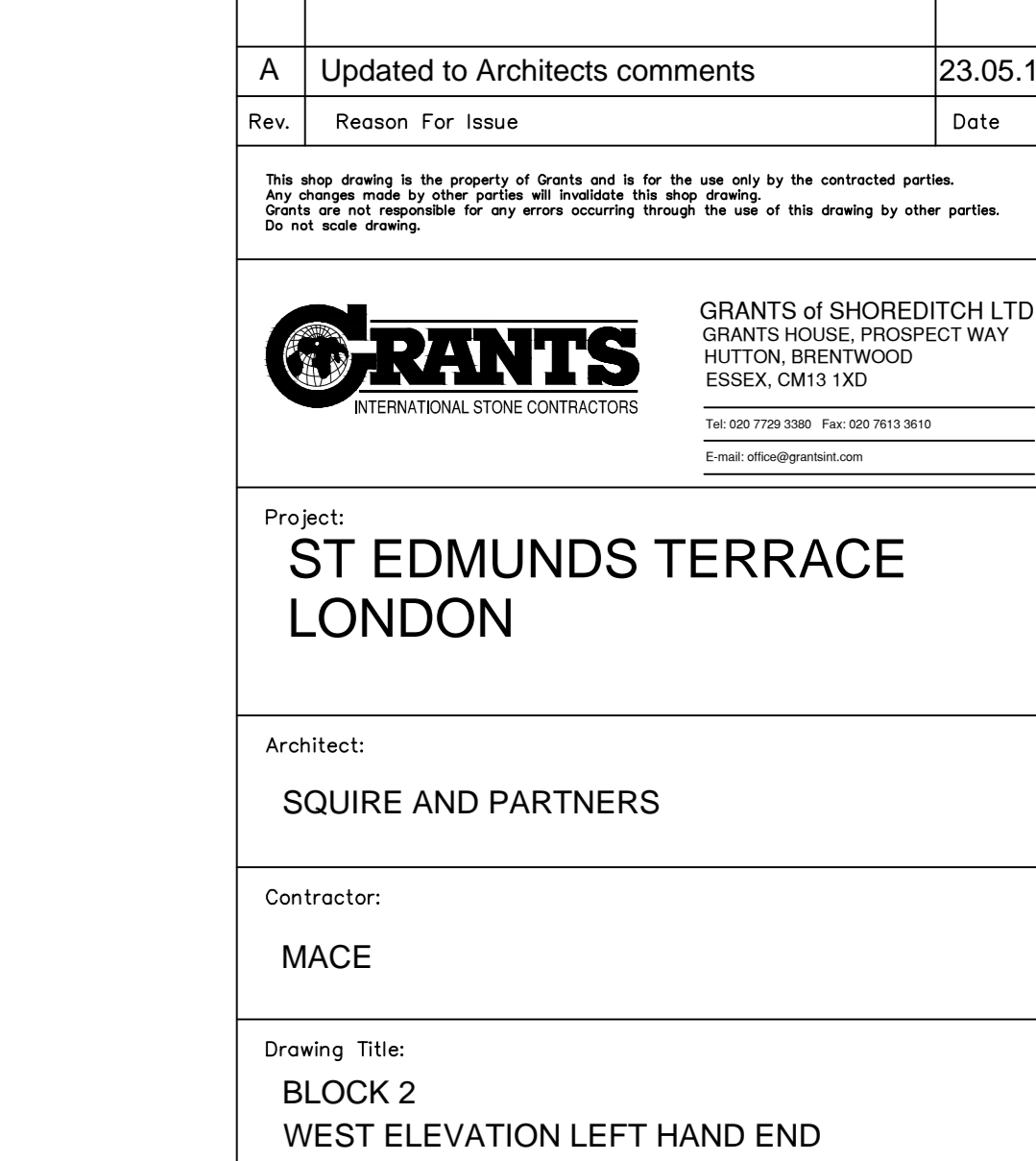
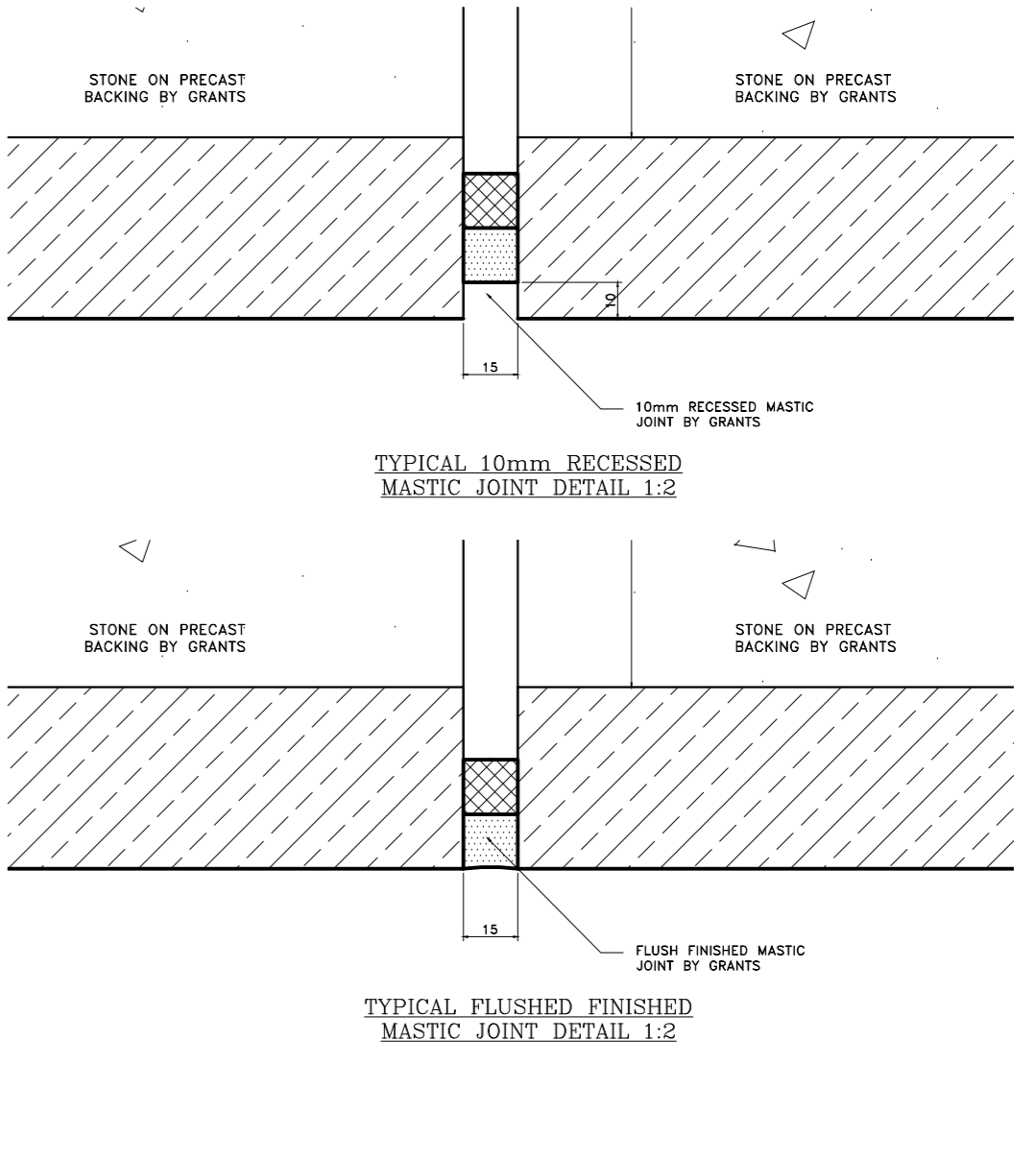
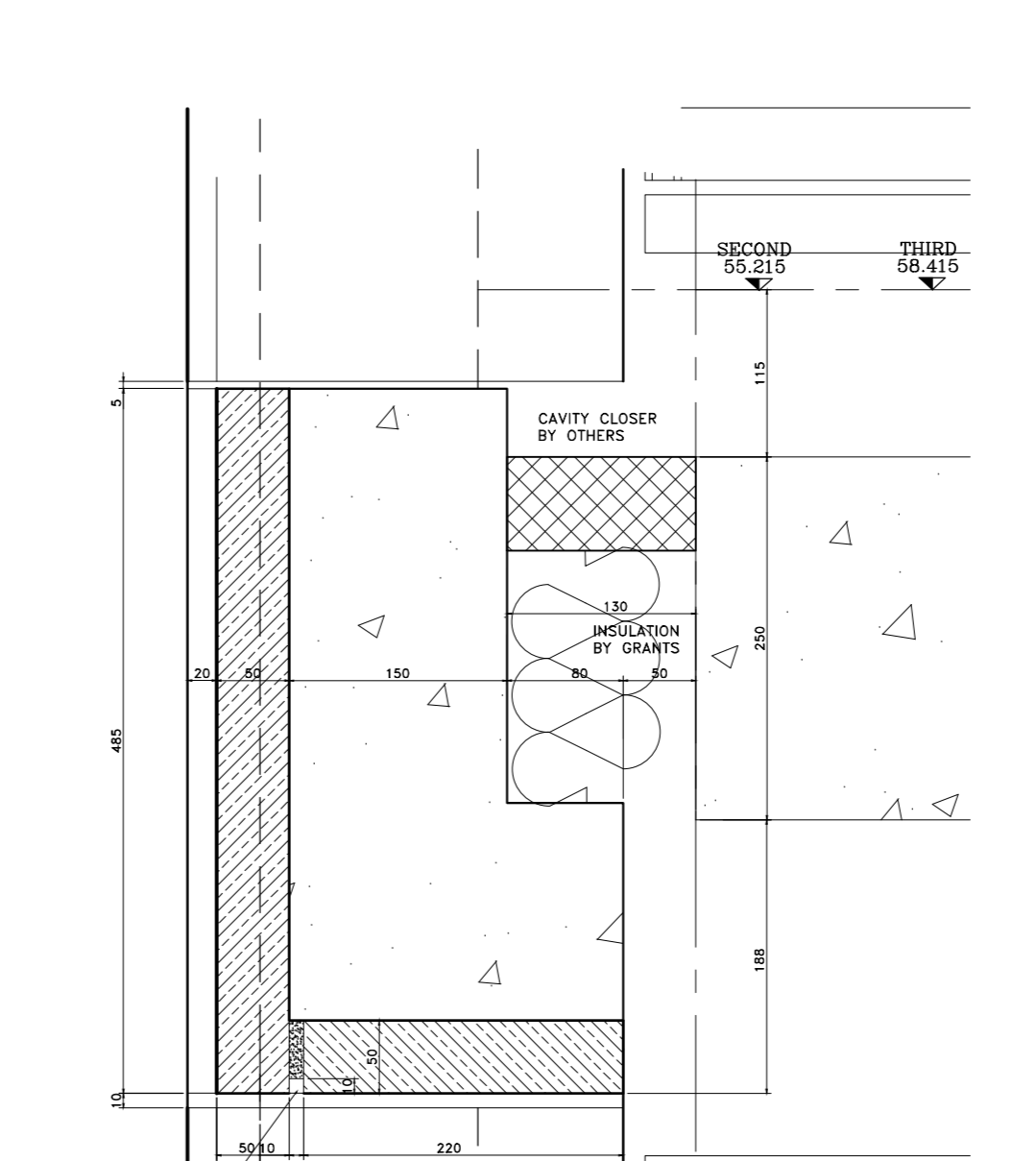
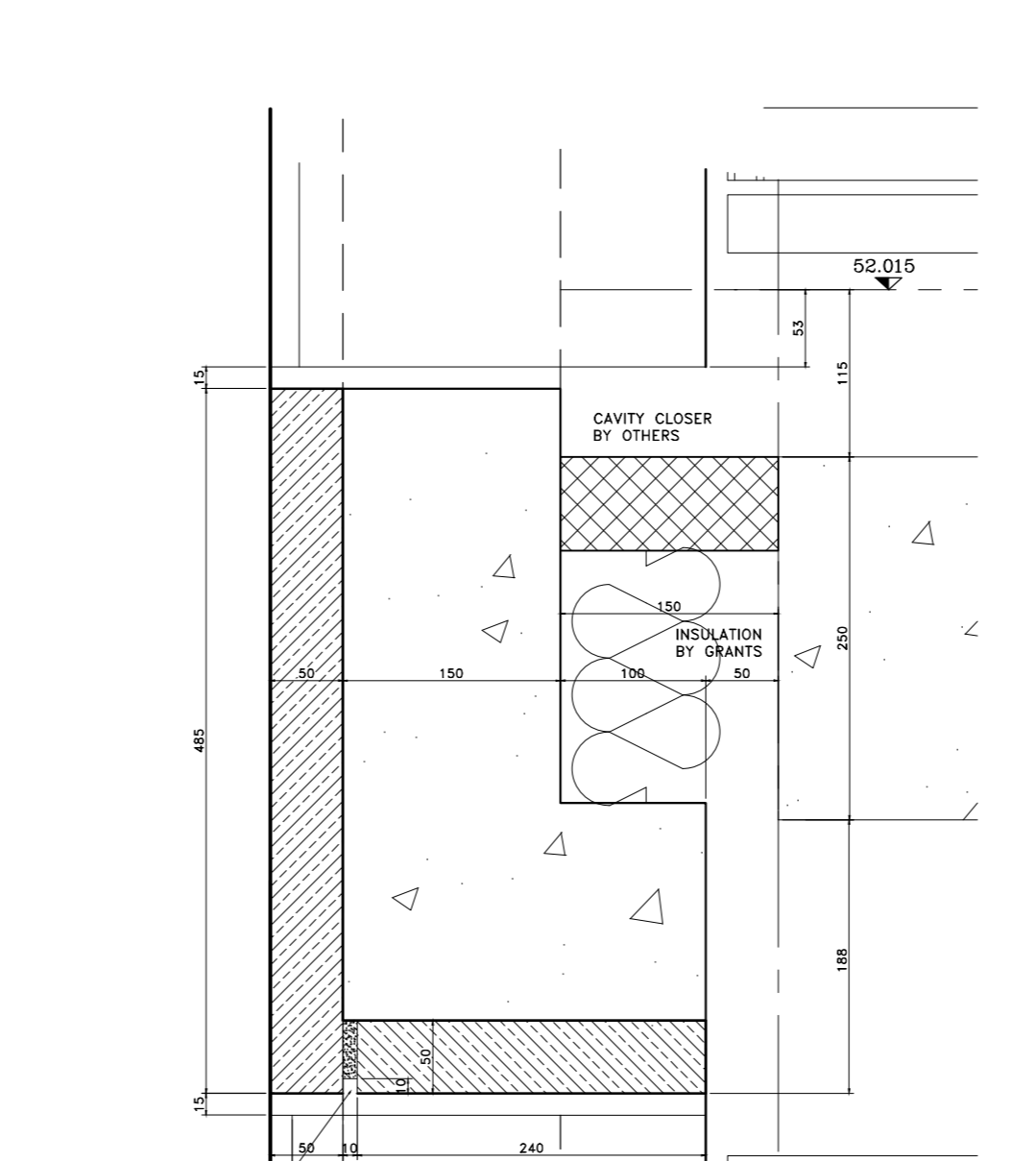
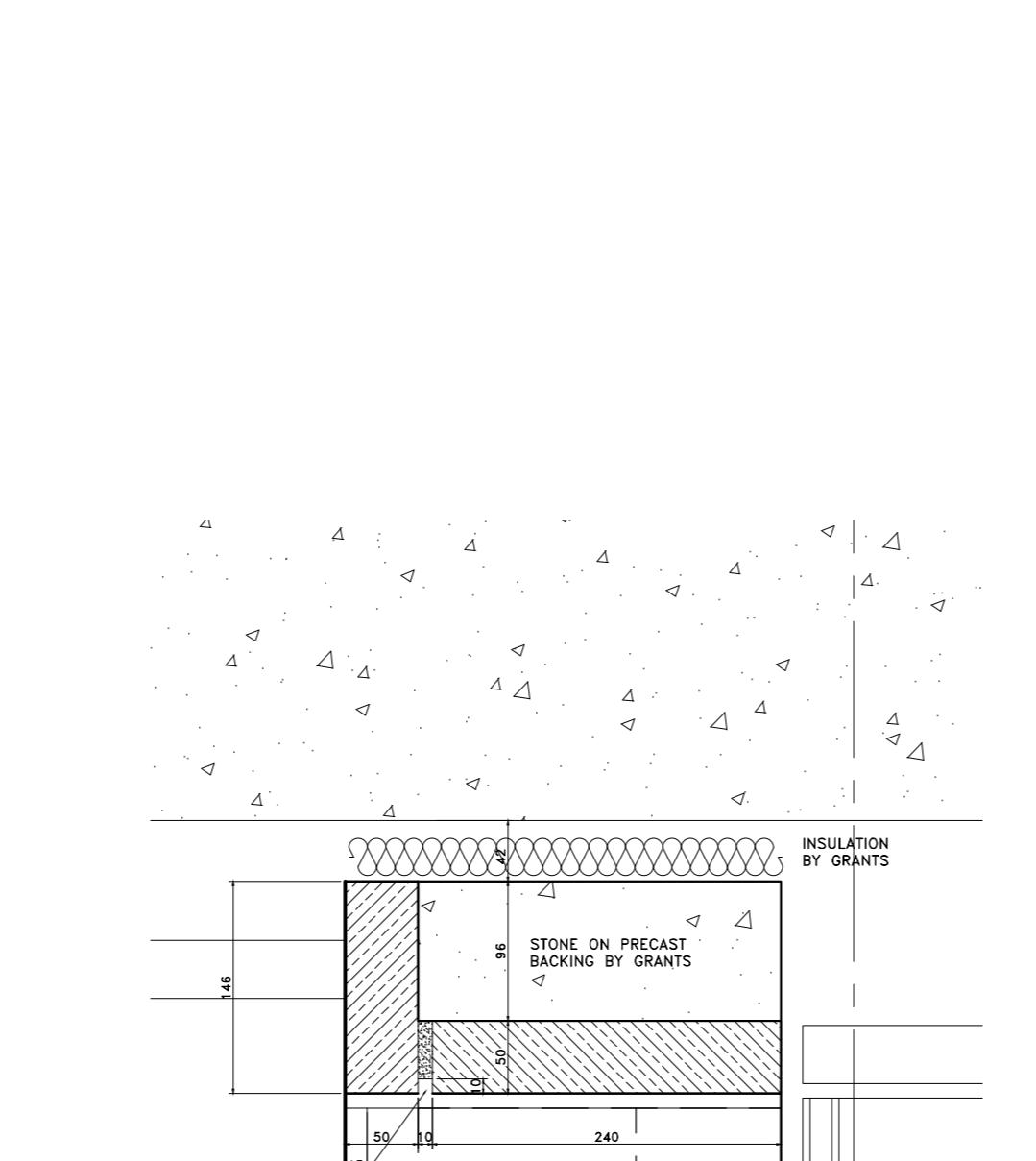
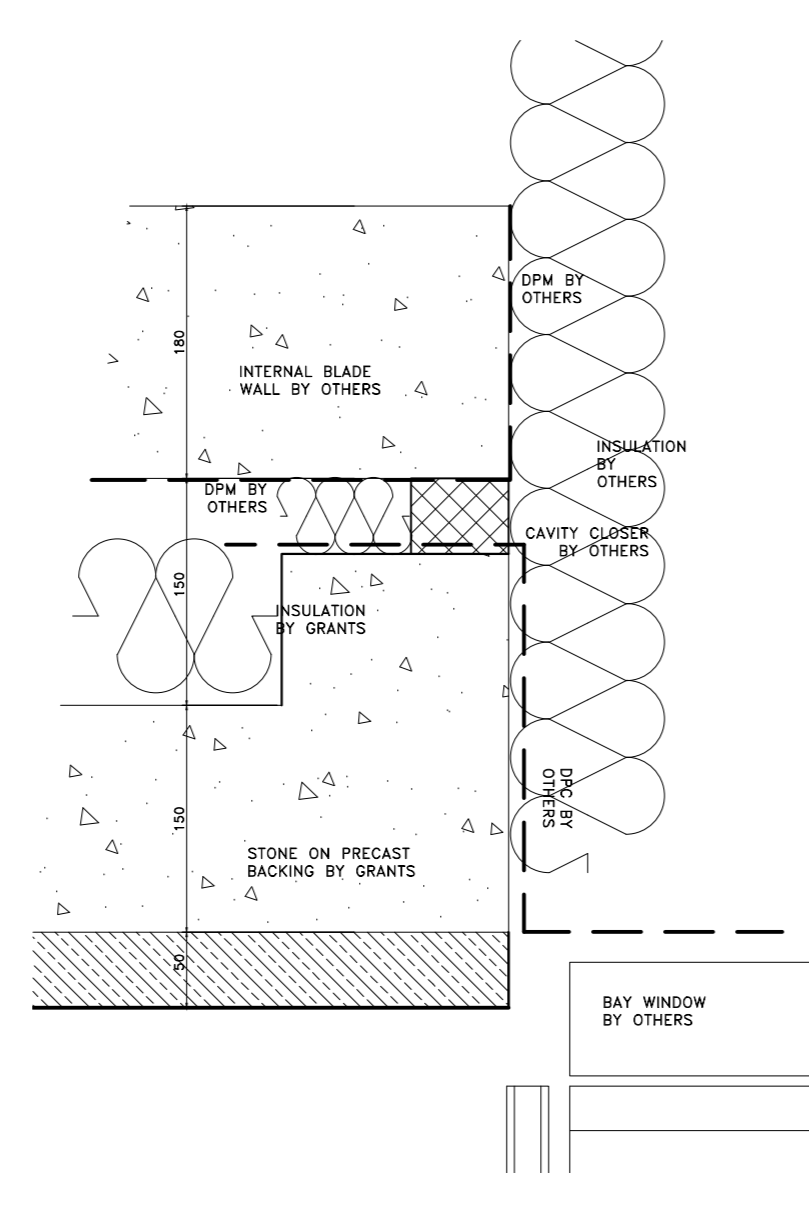
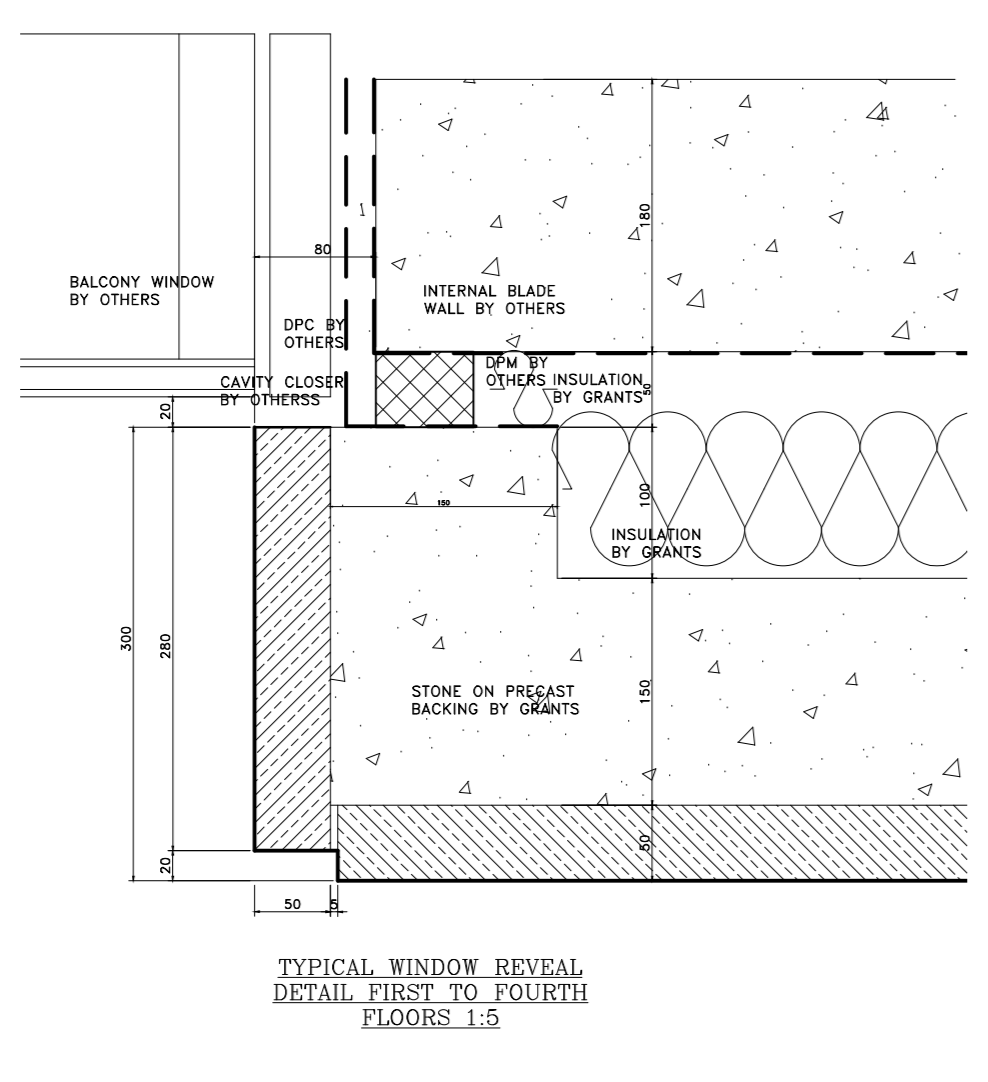
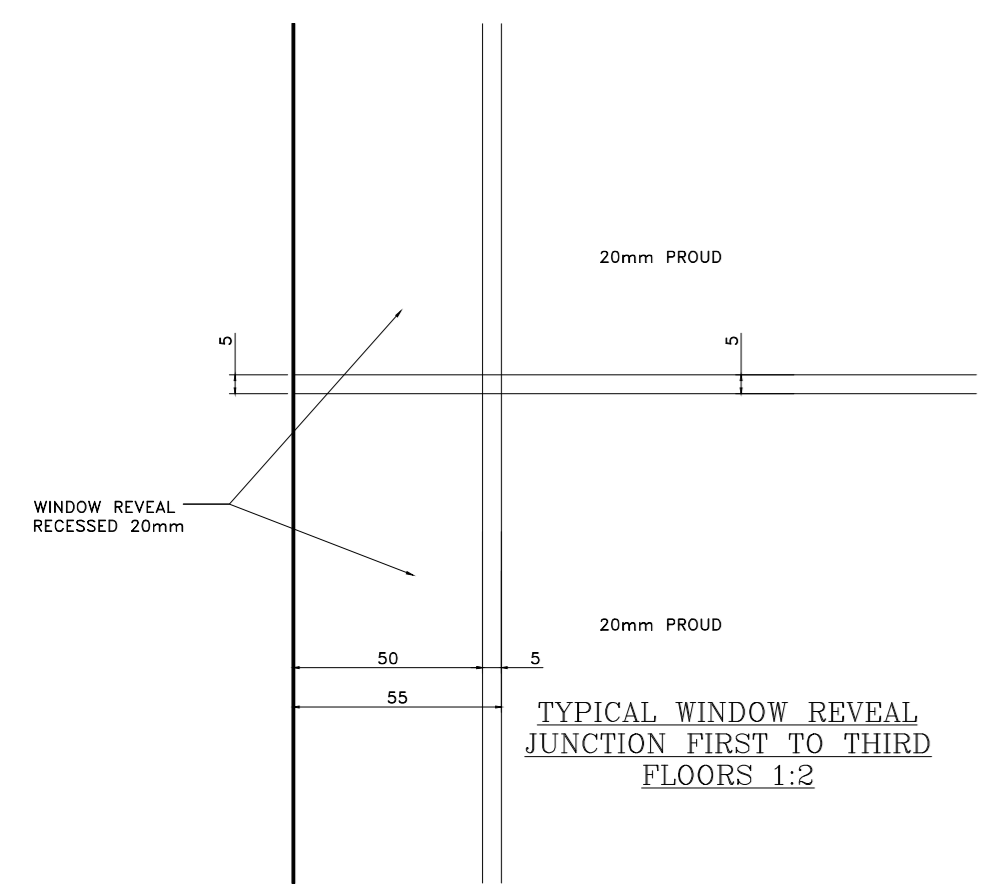
CONTINUED ON DRAWING 3205-A-GA-1025



PLAN B-B



PLAN F-F



Notes:

- STONE TYPE TO RUSTICATED STONEMARK TO BE PORTLAND BOWERS ROACH SAMPLE AND RANGE TO BE APPROVED.
- STONE TYPE TO NON RUSTICATED STONEMARK TO BE PORTLAND FANCY BEACH WHITBED SAMPLE AND RANGE TO BE APPROVED.
- STONE TYPE TO PLINTH STONEMARK TO BE GRANITE (SAMPLE TO BE APPROVED).
- STANDARD JOINTS TO BE 5mm FULLY POINTED TO APPROVED SAMPLE.
- ALL MASTIC JOINTS TO MATCH APPROVED SAMPLES.
- ALL FIXING RESTRAINTS TO BE STAINLESS STEEL GRADE 304 AND TO BE ISOLATED FROM THE MILD STEEL TO PREVENT BIMETALLIC REACTION.
- ALL STONES SHOULD HAVE NUMBERS MARKED ON UNSEEN FACES AND BE PROVIDED AS PER THE CUTTING SCHEDULES.
- INSULATION TO BE KINGSPAN TWISS.
- ALL WATERPROOFING DPM BY OTHERS.

CDM Regulations
Design Risk Assessment

The size and shape of individual stones for this project have been designed to satisfy the overall design requirements for the building. All persons handling and installing such stones should be aware that there are risks associated with this type of work that cannot be designed out.

RSK: INJURY
Risk Reduction:
Fixers must be suitably experienced in the handling of stones and employ lifting methods appropriate to the size and shape of that component. Access and platforms must be to the standard required by current legislation.
Reference must always be made to COSHH information for the materials being used.

Rev.	Reason for Issue	Date
A	Updated to Architects comments	23.05.13

This drawing is the property of Grants and is to be used only for the contractual parties.
Grants are not responsible for any errors occurring through the use of this drawing by other parties.
Do not scale drawings.

GRANTS
GRANTS OF SHOREDITCH LTD
GRANTS HOUSE, PROSPECT WAY
MUTUAL GREENWOOD
ESSEX, CM13 9XD
Tel: 0203 291 980
E: info@grants.co.uk

Project:
ST EDMUNDS TERRACE LONDON

Architect:
SQUIRE AND PARTNERS

Contractor:
MACE

Drawing Title:
BLOCK 2 WEST ELEVATION LEFT HAND END FIRST TO THIRD FLOOR

Drawn By: **3/11** Checked By: **SCS** Date: **03/05/13** Revision: **A**
Drawing No.: **3205-A-GA-1031**