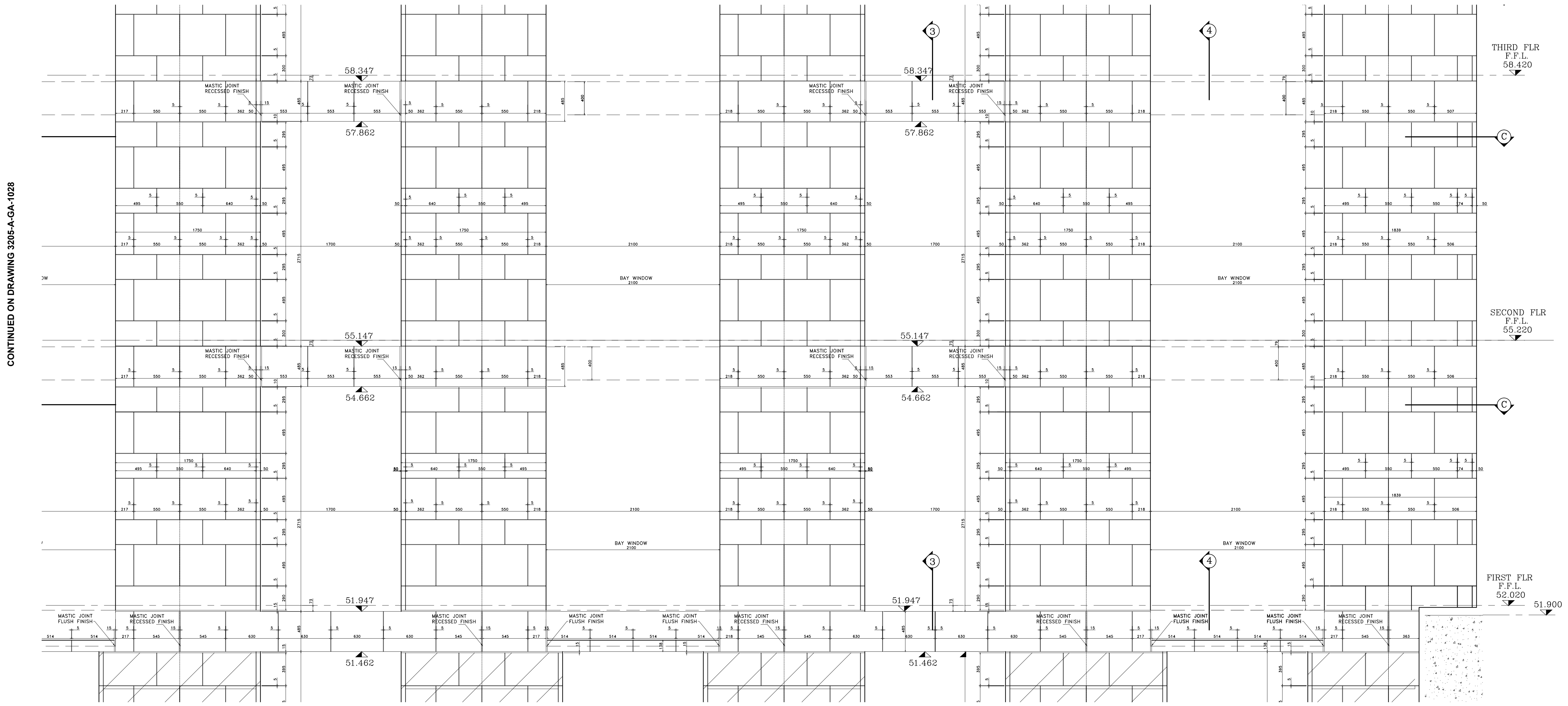
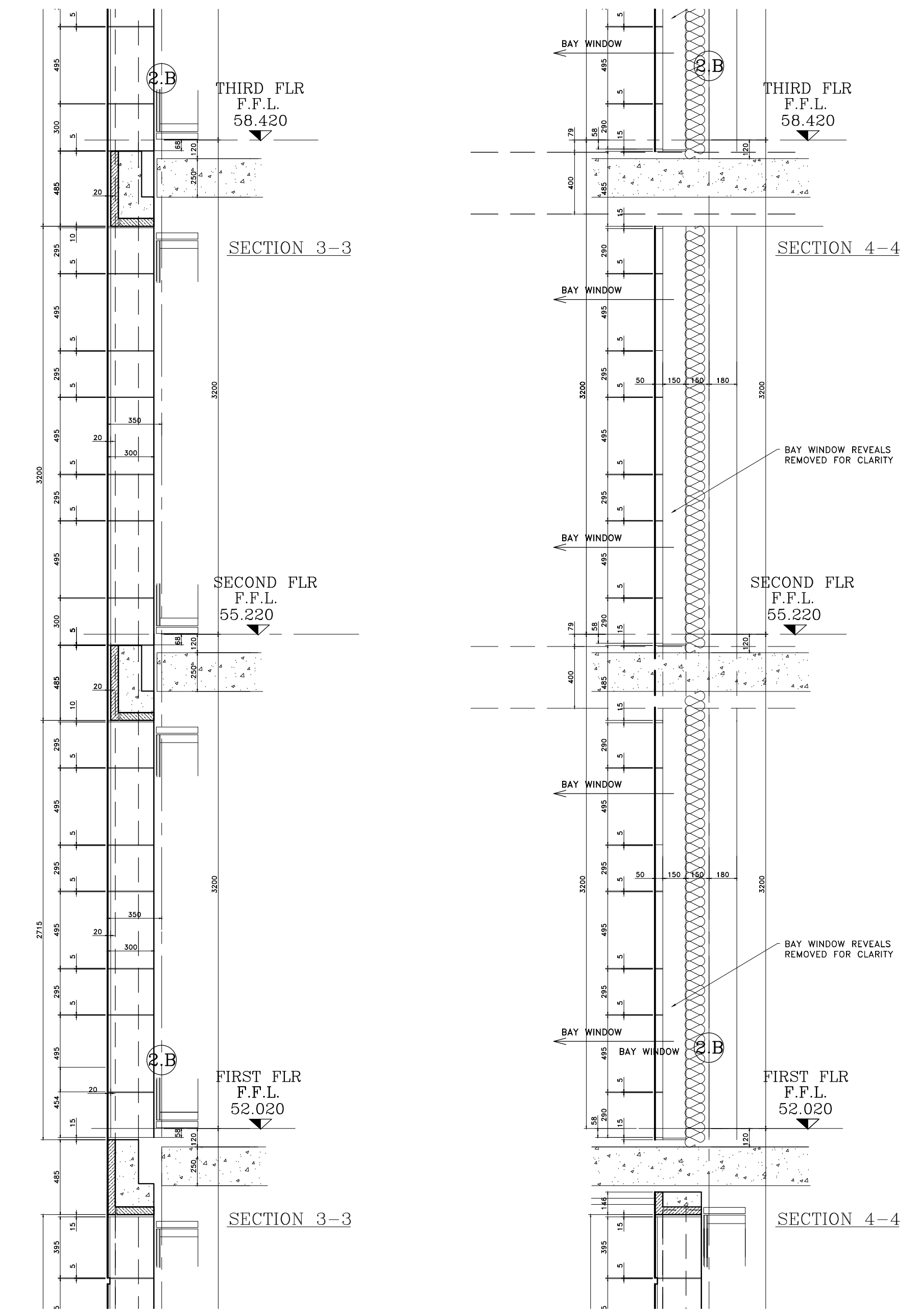


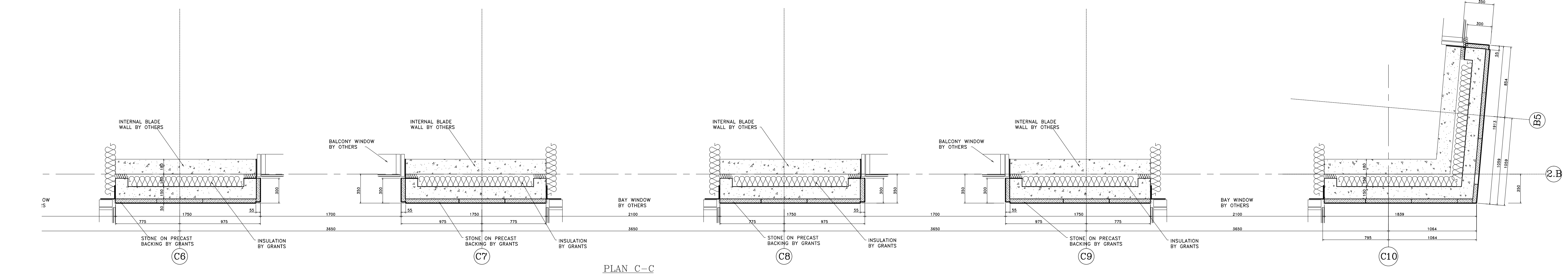
CONTINUED ON DRAWING 3205-A-GA-1035



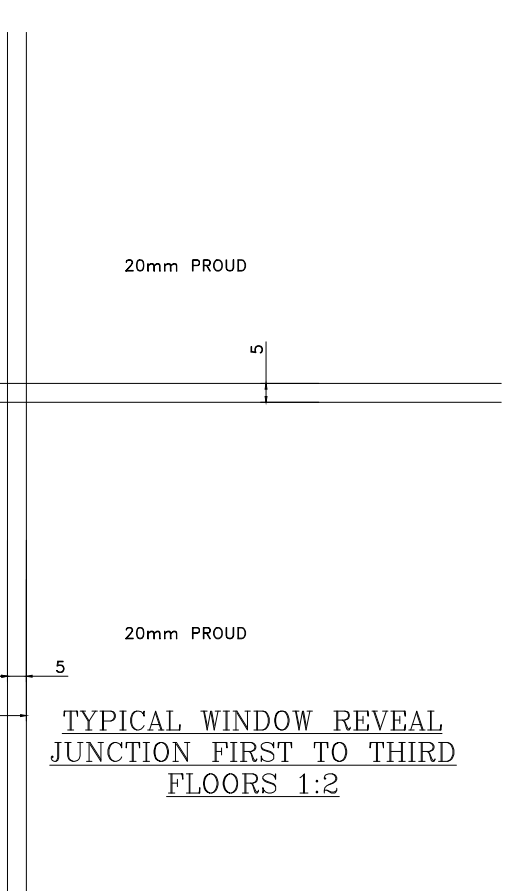
CONTINUED ON DRAWING 3205-A-GA-1030



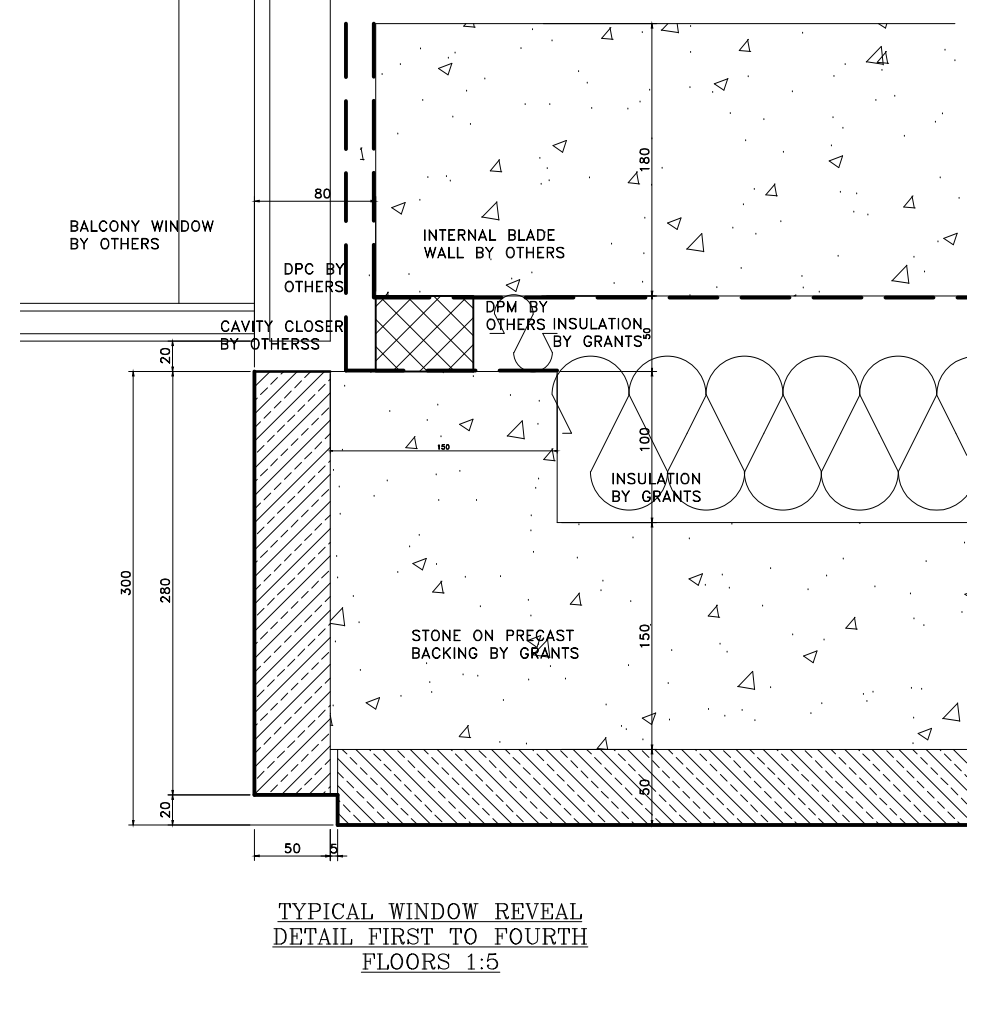
CONTINUED ON DRAWING 3205-A-GA-1024



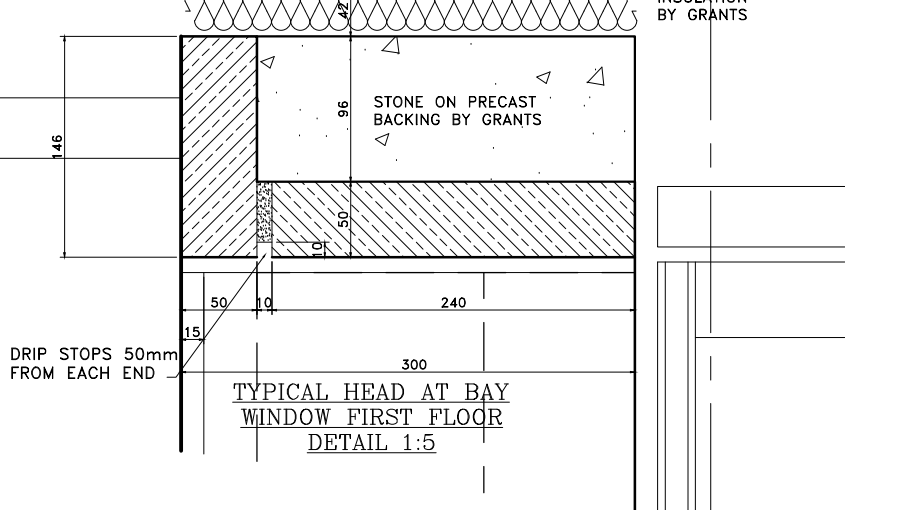
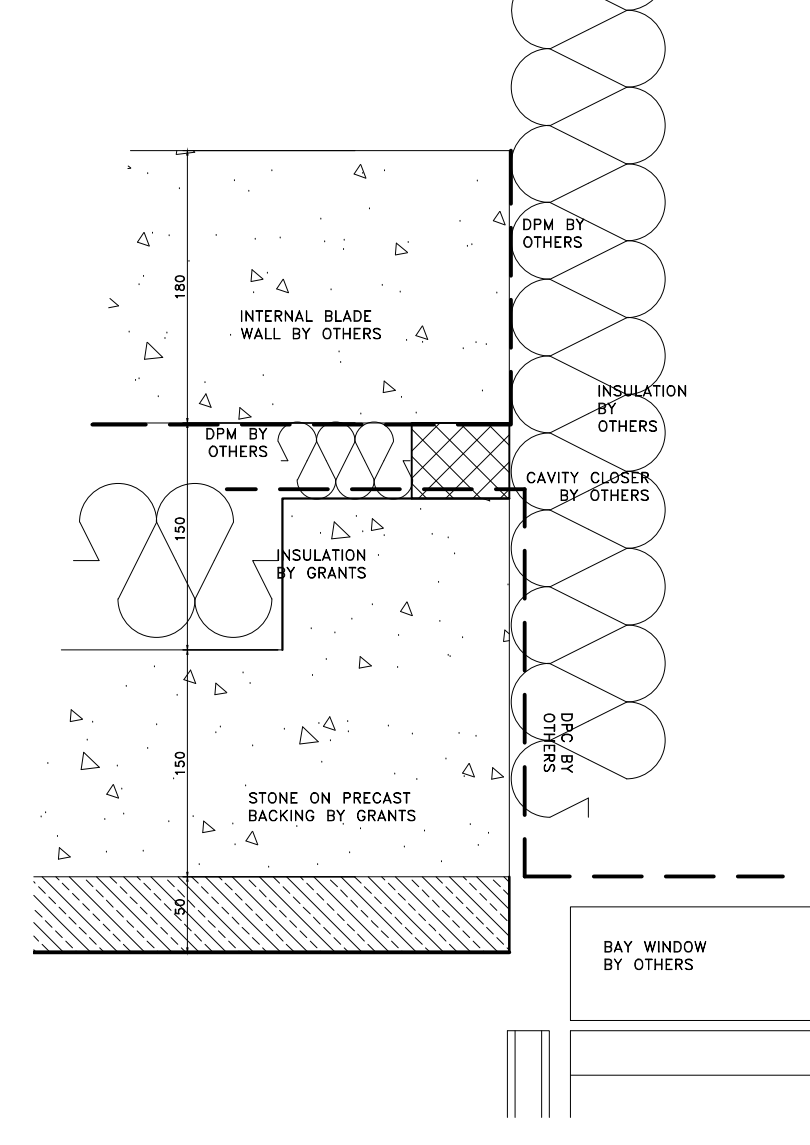
PLAN C-C



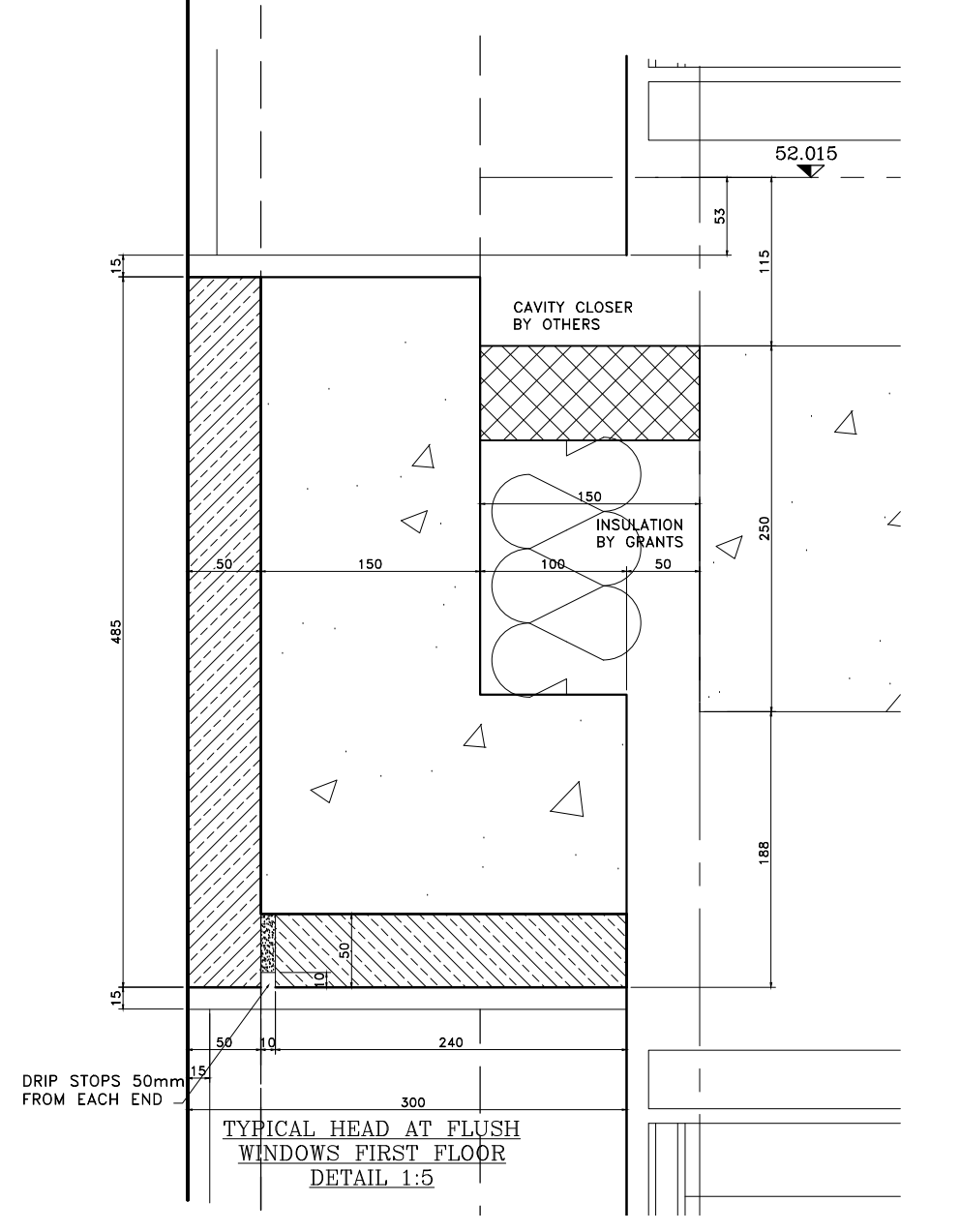
TYPICAL WINDOW REVEAL JUNCTION FIRST TO THIRD FLOORS 1-2



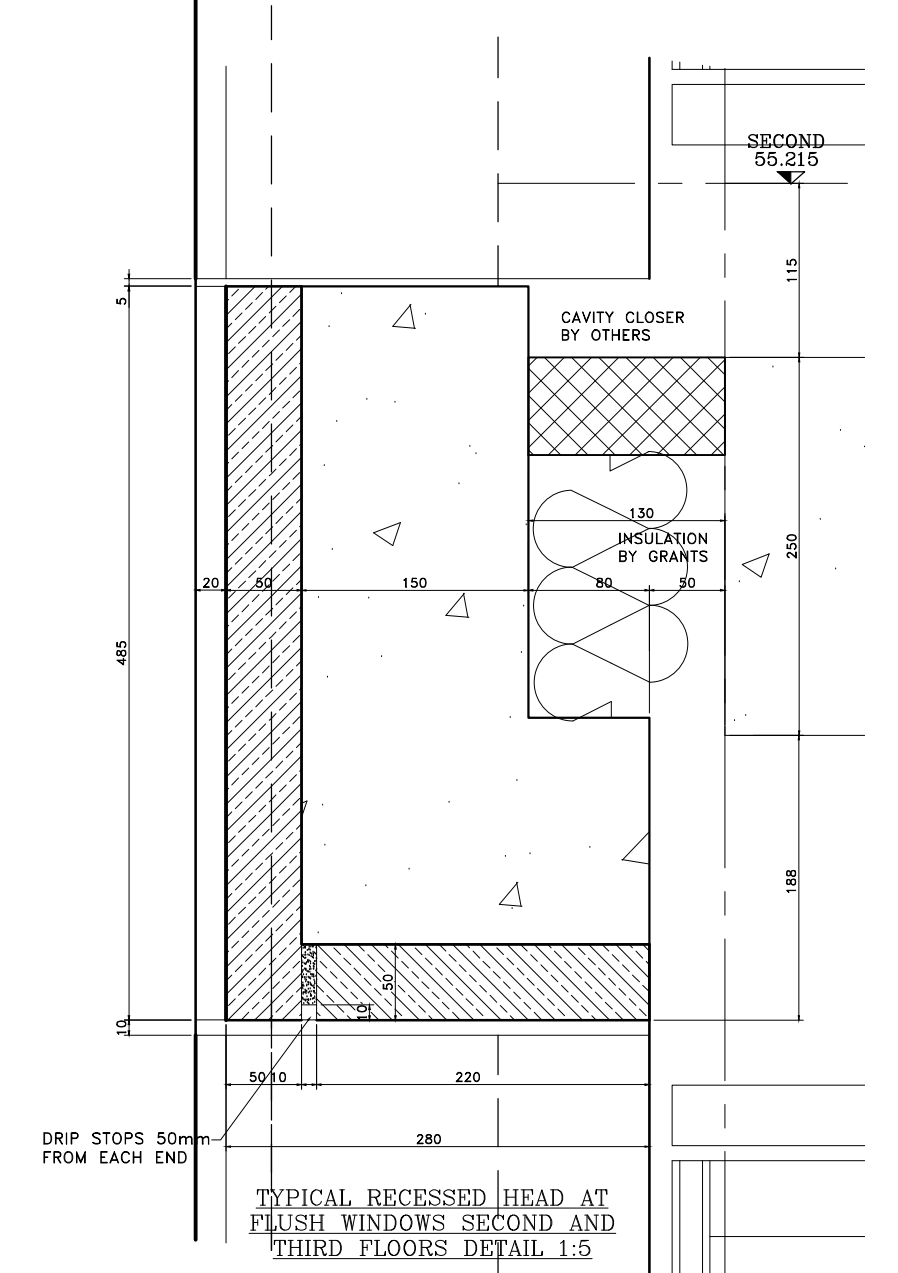
TYPICAL WINDOW REVEAL DETAIL FIRST TO FOURTH FLOORS 1-3



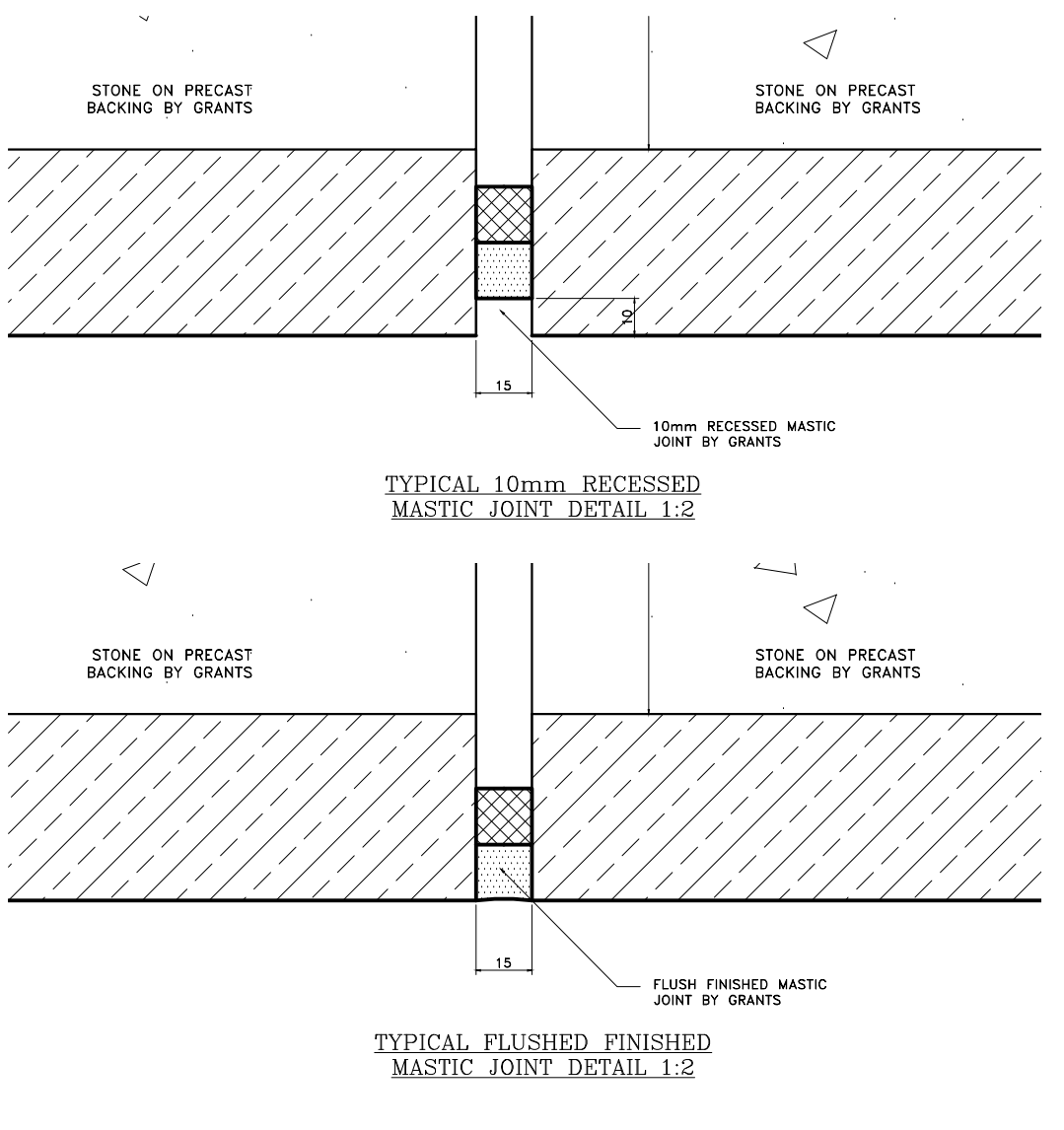
TYPICAL HEAD AT BAY WINDOW FIRST FLOOR DETAIL 1-2



TYPICAL HEAD AT FLUSH WINDOW FIRST FLOOR DETAIL 1-2



TYPICAL RECESSED HEAD AT FLUSH WINDOW SECOND AND THIRD FLOORS DETAIL 1-3



Notes:

- STONE TYPE TO RUSTICATED STONEWORK TO BE PORTLAND BOWERS ROACH SAMPLE AND RANGE TO BE APPROVED.
- STONE TYPE TO NON RUSTICATED STONEWORK TO BE PORTLAND FANCY BEACH WHITBED SAMPLE AND RANGE TO BE APPROVED.
- STONE TYPE TO PLINTH STONEWORK TO BE GRANITE (SAMPLE TO BE APPROVED).
- STANDARD JOINTS TO BE 6mm FULLY POINTED TO APPROVED SAMPLE.
- ALL MASTIC JOINTS TO MATCH APPROVED SAMPLES.
- ALL FIXING RESTRAINTS TO BE STAINLESS STEEL GRADE 304 AND TO BE ISOLATED FROM THE MILD STEEL TO PREVENT BIMETALLIC REACTION.
- ALL STONES SHOULD HAVE NUMBERS MARKED ON UNSEEN FACES AND BE PROVIDED AS PER THE CUTTING SCHEDULES.
- INSULATION TO BE KINGSPAN TWISS.
- ALL WATERPROOFING DPM BY OTHERS.

CDM Regulations
Design Risk Assessment

The size and shape of individual stones for this project have been designed to satisfy the overall design requirements for the building. All persons handling and installing such stones should be aware that there are risks associated with this type of work that cannot be designed out.

RSK: INJURY
Risk Reduction:
Fixers must be suitably experienced in the handling of stones and employ lifting methods appropriate to the size and shape of that component. Access and platforms must be to the standard required by current legislation.
References must always be made to COSHH information for the materials being used.

A Updated to Architects comments. 23.05.13
Rev. Reason For Issue Date

GRANTS
GRANTS OF SHOREDITCH LTD
GRANTS HOUSE, PROSPECT WAY
MUTUAL BRENTWOOD
ESSEX, CM13 1XD
0203 2777788 Fax: 0203 7933800
1 East Street, Brentwood

Project:
ST EDMUNDS TERRACE LONDON

Architect:
SQUIRE AND PARTNERS

Contractor:
MACE

Drawing Title:
BLOCK 2 EAST ELEVATION RIGHT HAND END FIRST TO THIRD FLOOR

Drawn By: **SM** Checked By: **SM** Scale: **1:25 @ A0** Date: **01/05/13** Revision: **A**
Drawing No.: **3205-A-GA-1029**