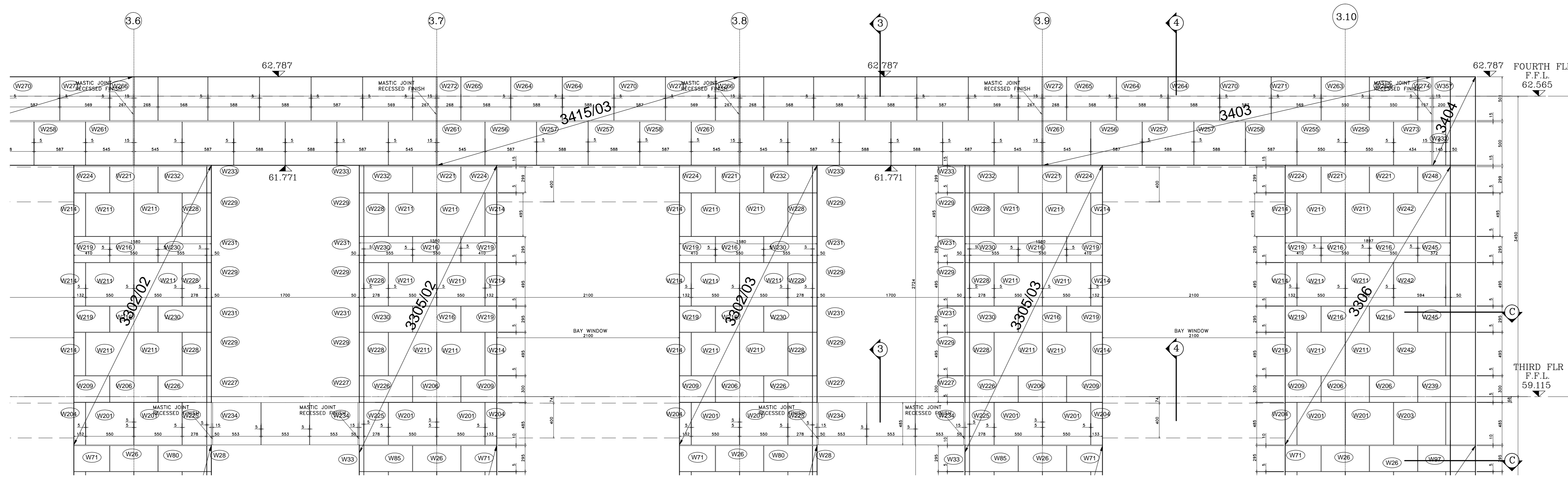
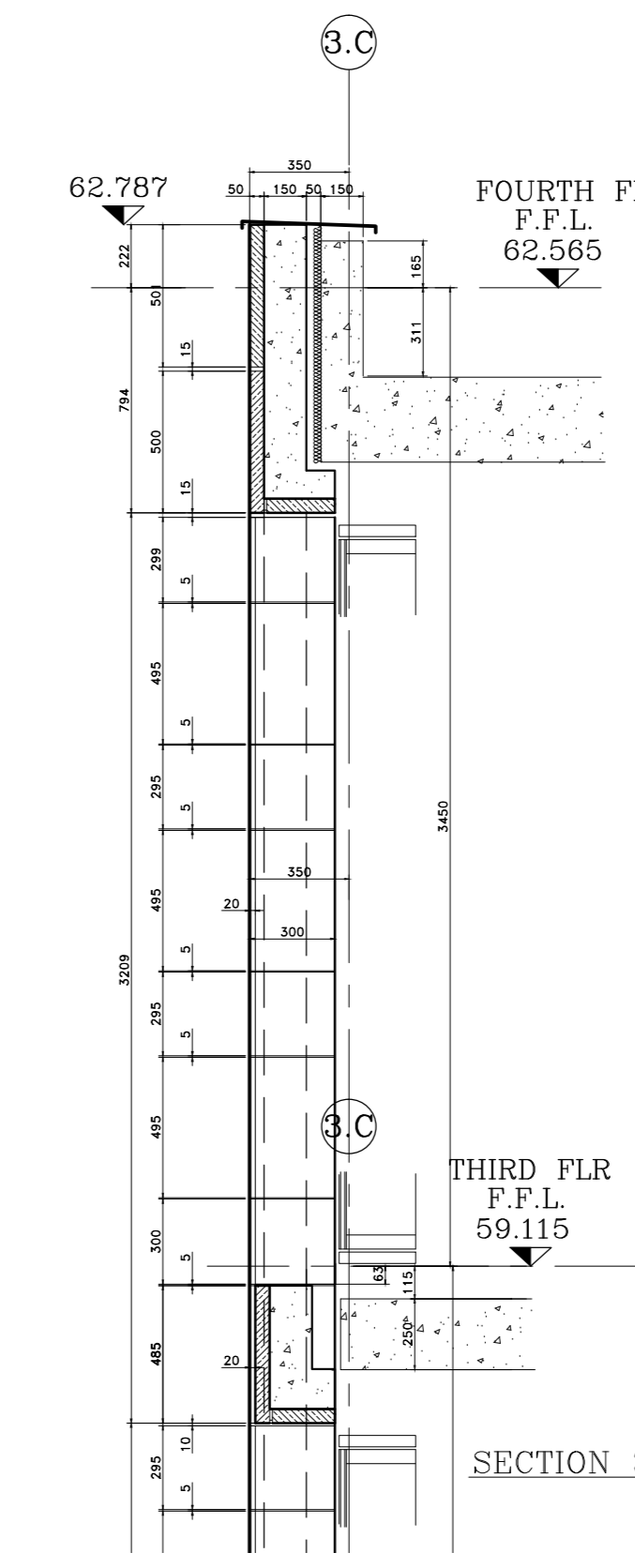


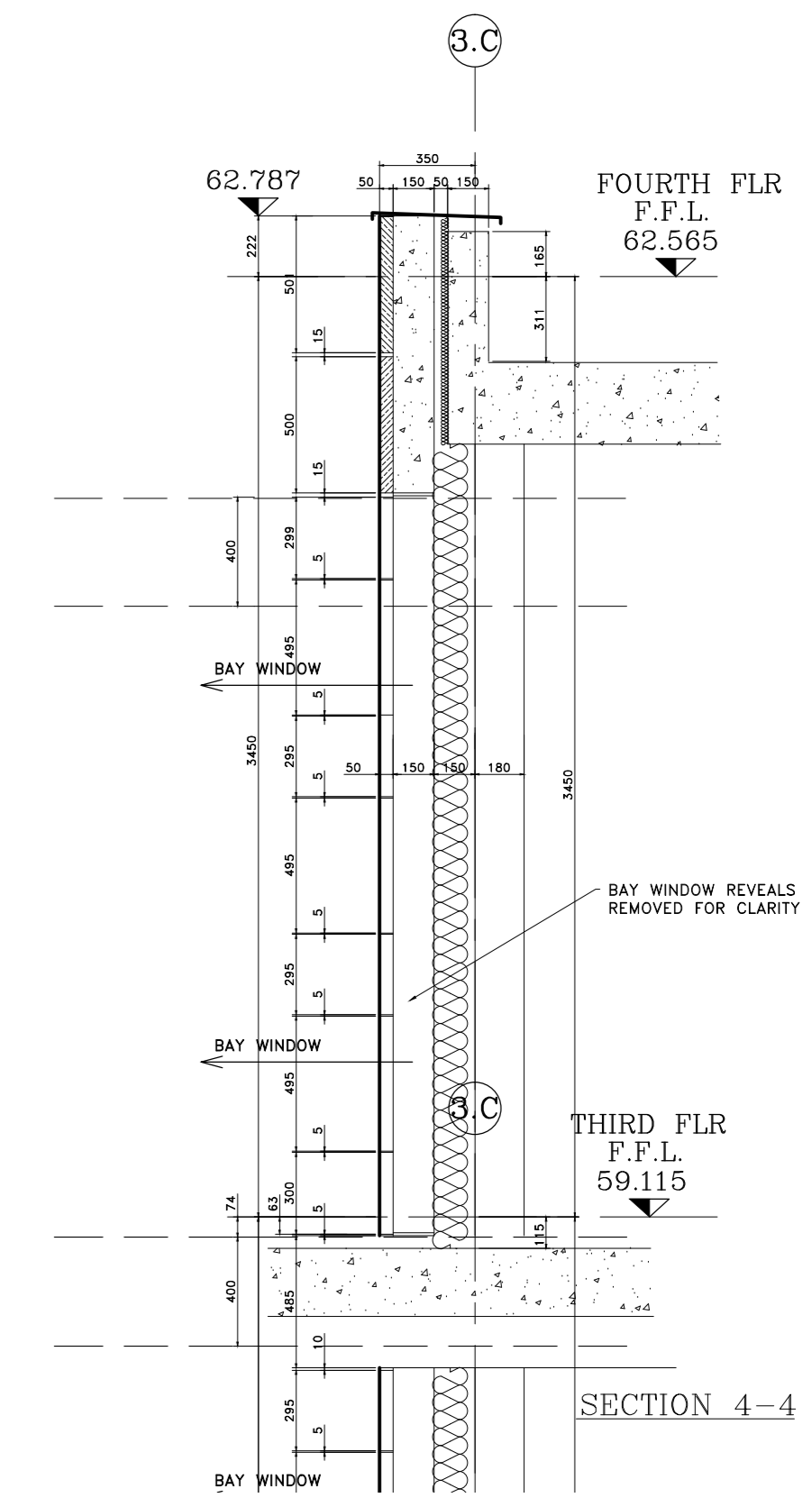
CONTINUED ON DRAWING 3205-A-GA-1016



CONTINUED ON DRAWING 3205-A-GA-1018

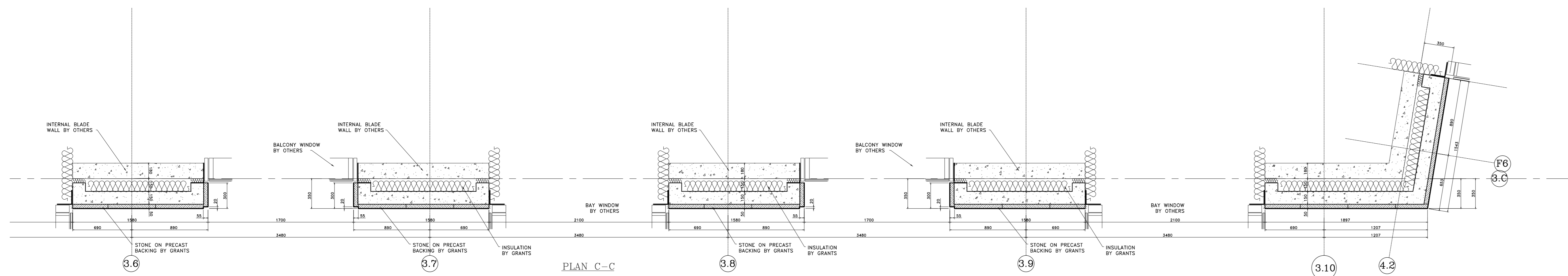


SECTION 3-3

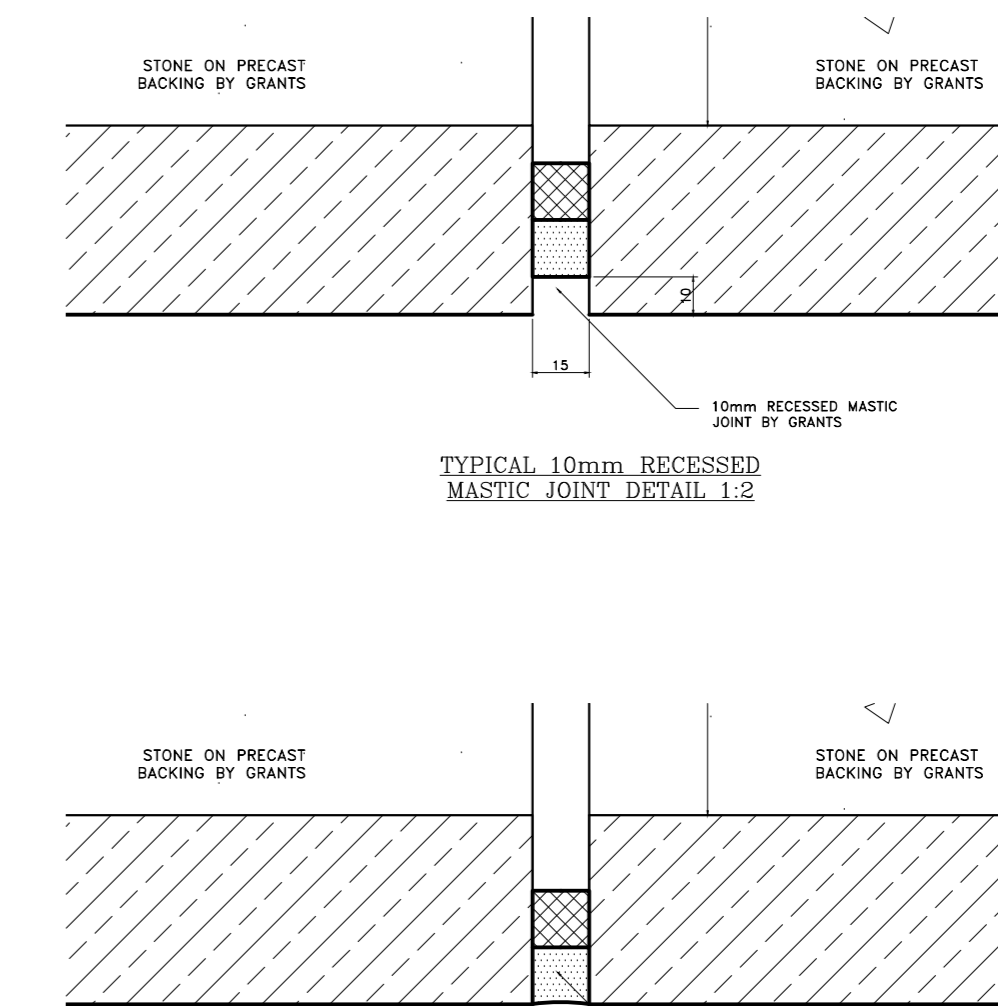


SECTION 4-4

CONTINUED ON DRAWING 3205-A-GA-1010

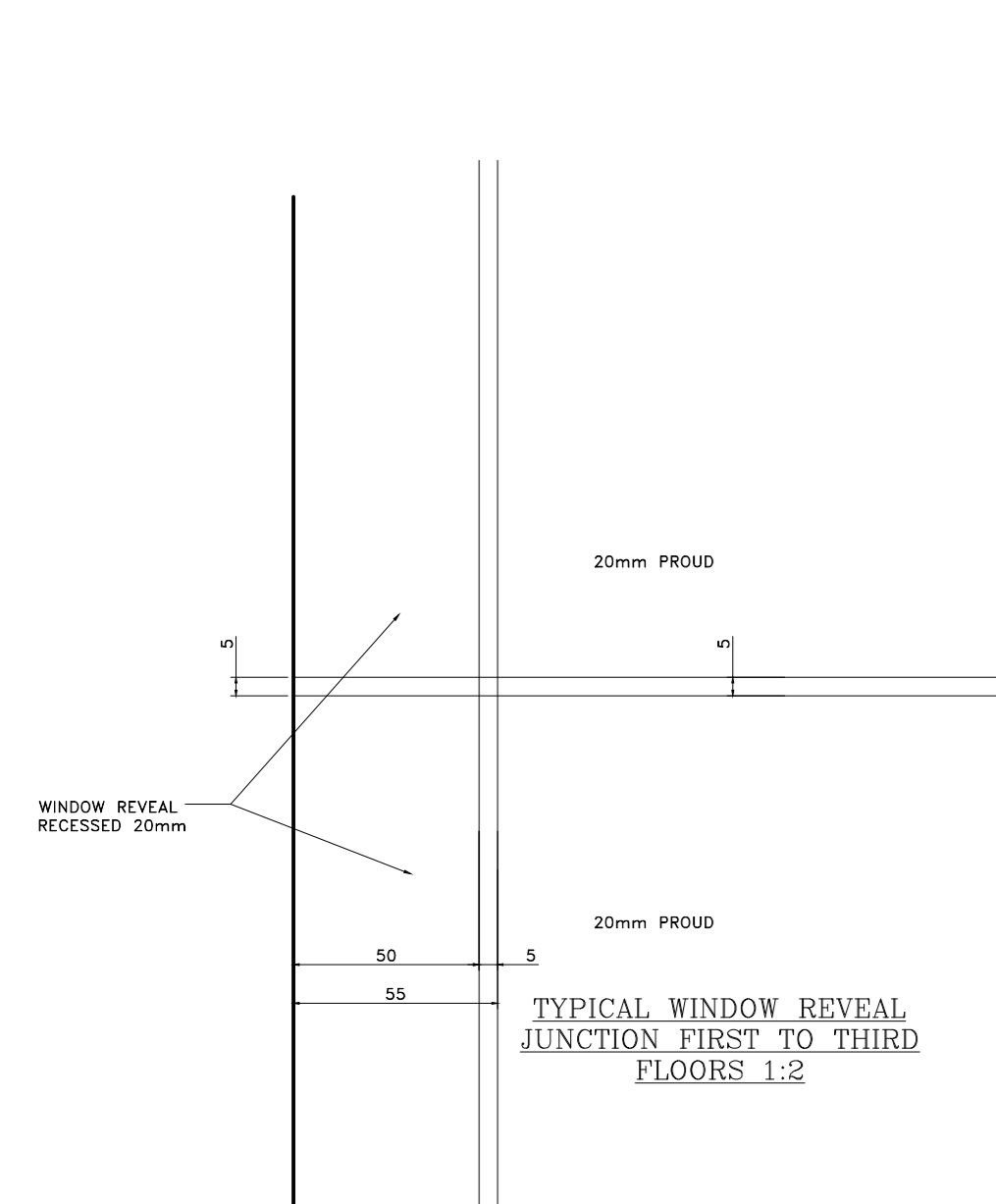


PLAN C-C

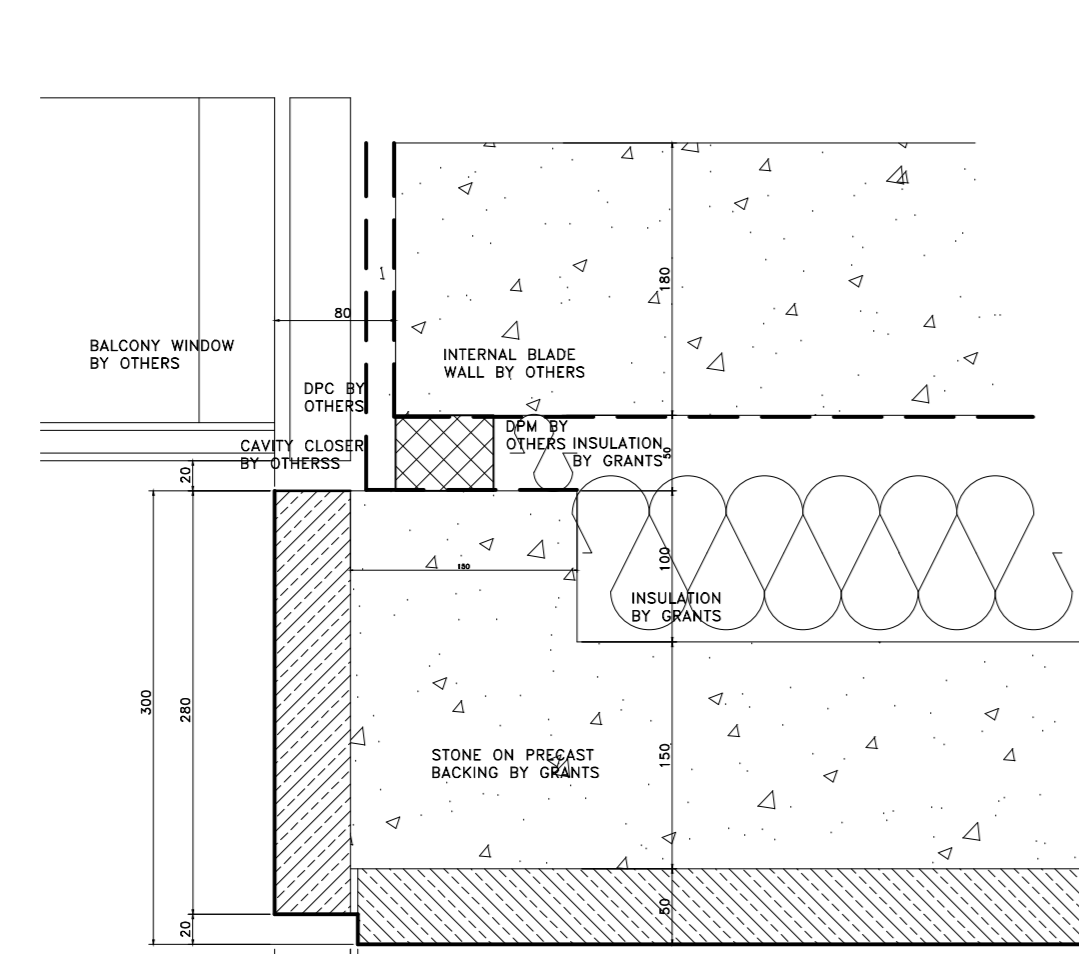


TYPICAL 10mm RECESSED MASTIC JOINT DETAIL 1-2

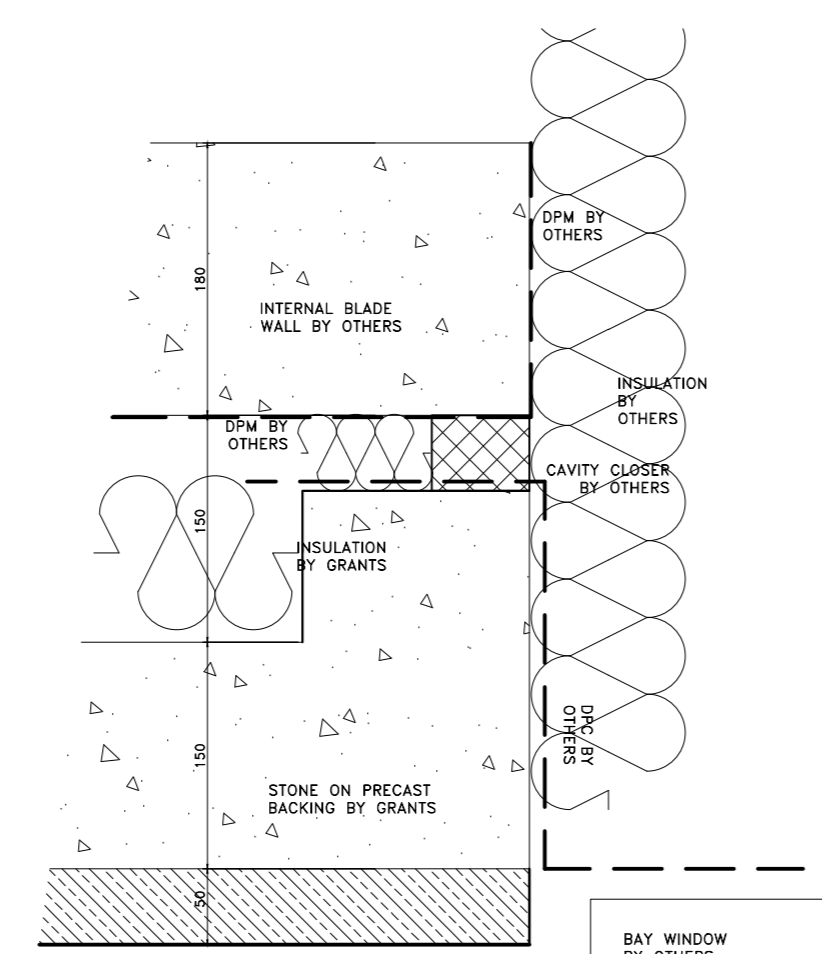
TYPICAL FLUSHED FINISHED MASTIC JOINT DETAIL 1-2



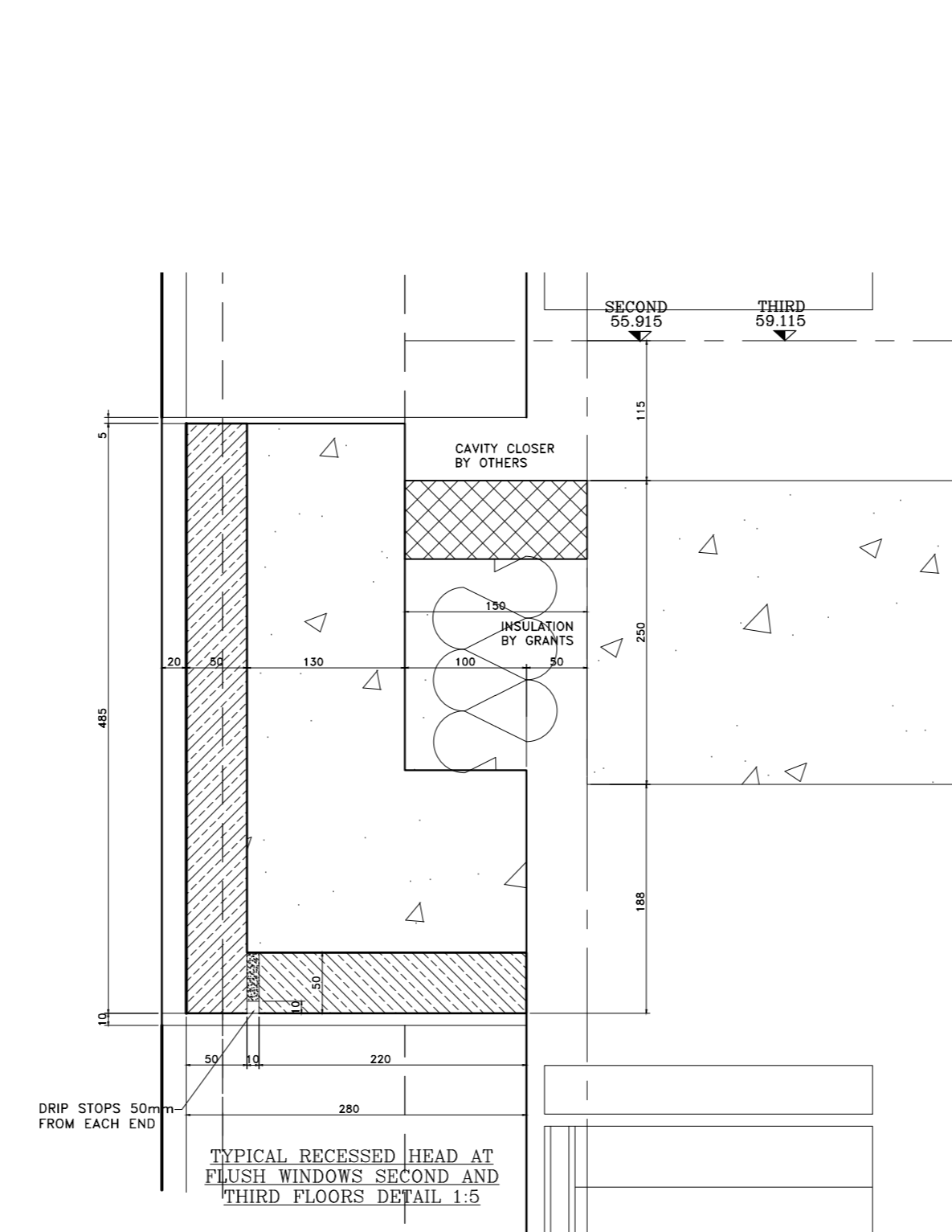
TYPICAL WINDOW REVEAL JUNCTION FIRST TO THIRD FLOORS 1-2



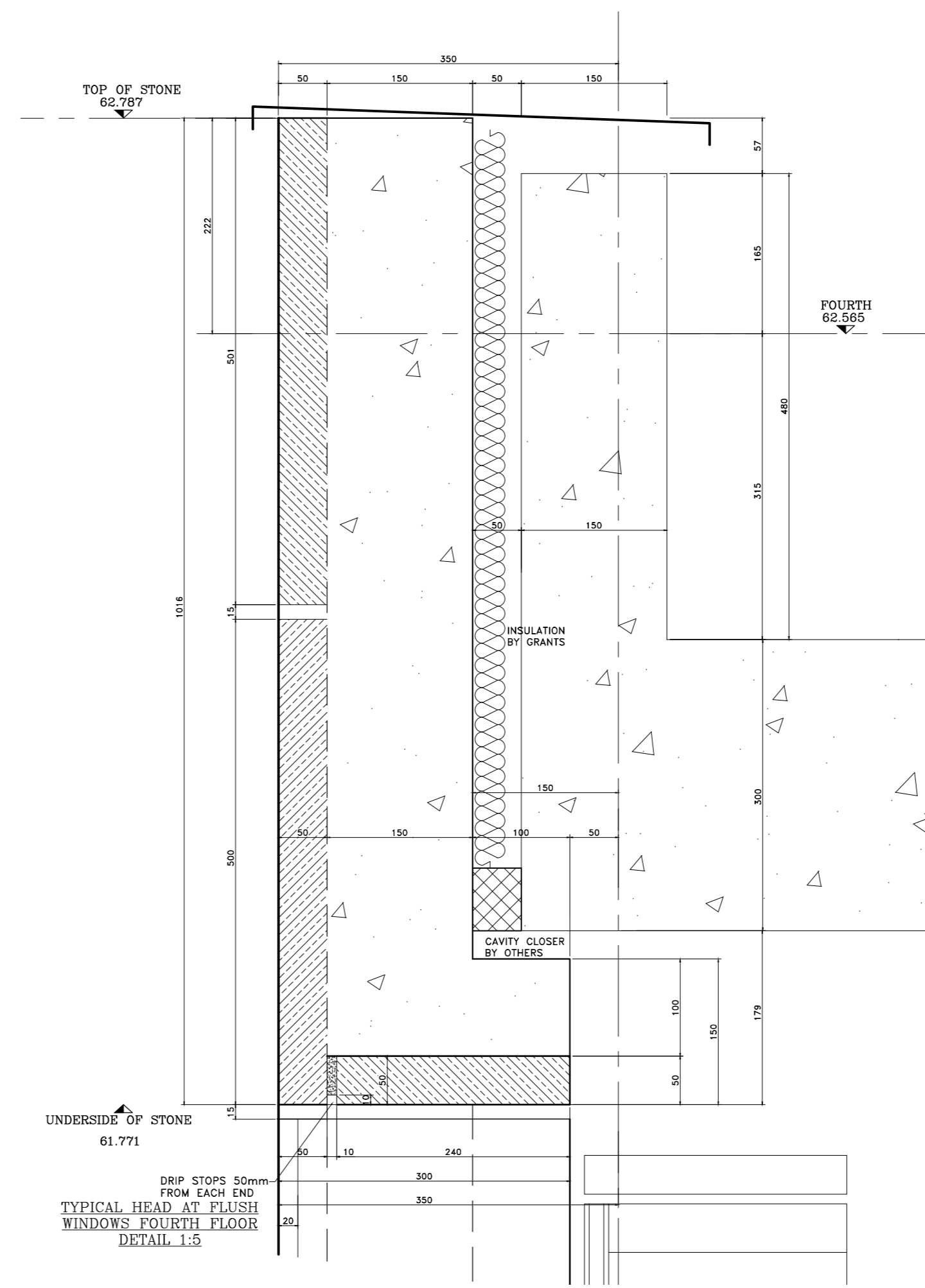
TYPICAL WINDOW REVEAL DETAIL FIRST TO FOURTH FLOORS 1-3



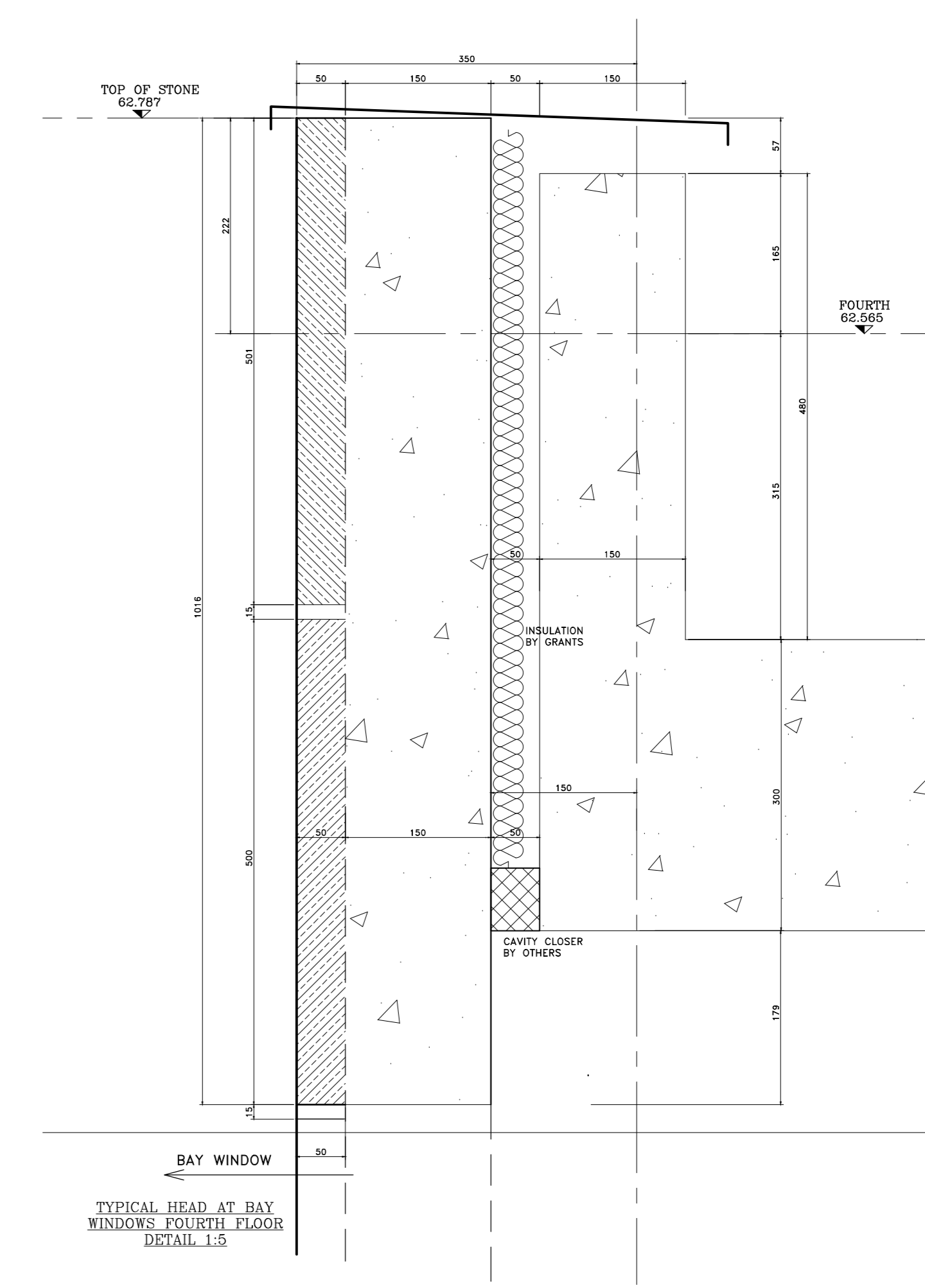
TYPICAL BAY WINDOW REVEAL DETAIL 1-3



TYPICAL RECESSED HEAD AT FLUSH WINDOWS SECOND AND THIRD FLOORS DETAIL 1-3



TYPICAL FLUSH HEAD AT BAY WINDOWS FOURTH FLOOR DETAIL 1-3



TYPICAL HEAD AT BAY WINDOWS DETAIL 1-3

Notes:

STONE TYPE TO RUSTICATED STONEMASONRY TO BE PORTLAND BOWERS ROACH SAMPLE AND RANGE TO BE APPROVED.
 STONE TYPE TO NON RUSTICATED STONEMASONRY TO BE PORTLAND FANCY BEACH WHITBED SAMPLE AND RANGE TO BE APPROVED.
 STONE TYPE TO PLINTH STONEMASONRY TO BE GRANITE (SAMPLE TO BE APPROVED).
 STANDARD JOINTS TO BE 5mm FULLY POINTED TO APPROVED SAMPLE.
 ALL MASTIC TO MATCH APPROVED SAMPLES.
 ALL FIXING RESTRAINTS TO BE STAINLESS STEEL GRADE 304 AND TO BE ISOLATED FROM THE MILD STEEL TO PREVENT BIMETALLIC REACTION.
 ALL STONES SHOULD HAVE NUMBERS MARKED ON UNSEEN FACES AND BE PROVIDED AS PER THE CUTTING SCHEDULES.
 INSULATION TO BE KINGSPAN KOOL THERM K15.
 ALL WATERPROOFING DPM BY OTHERS.

CDM Regulations

Design Risk Assessment:
 The size and shape of individual stones for this project have been designed to satisfy the overall design requirements for the building. All persons handling and installing such stones should be aware that there are risks associated with this type of work that cannot be designed out.

RISK: INJURY
 Risk Reduction:
 Fixers must be suitably experienced in the handling of stones and employ lifting methods appropriate to the size and shape of that component. Access and platforms must be to the standard required by current legislation.
 Rubbers must always be made to COSHH information for the materials being used.

B	Stone and Panel references added.	27.06.13
A	Updated to Architects comments.	17.05.13
Rev:	Reason For Issue	Date

This drawing is the property of Grants and is to be used only for the contractual parties. It is not to be used for any other purpose without the written consent of Grants. Grants are not responsible for any errors occurring through the use of this drawing by other parties. Do not scale drawings.

GRANTS
 GRANTS OF SHOREDITCH LTD
 GRANTS HOUSE, PROSPECT WAY
 NUTCRACK GREENWOOD
 ESSEX, CM13 1XD
 02045 770000 Fax 020 703 0800
 E: info@grants.co.uk

Project:
ST EDMUNDS TERRACE LONDON

Architect:
SQUIRE AND PARTNERS

Contractor:
MACE

Drawing Title:
BLOCK 3 EAST ELEVATION RIGHT HAND END FOURTH FLOOR

Drawn By: **AM** Checked By: **SC** Scale: **1:25 @ A0** Date: **9/04/13** Revision: **B**

Drawing No.: **3205-A-GA-1017**