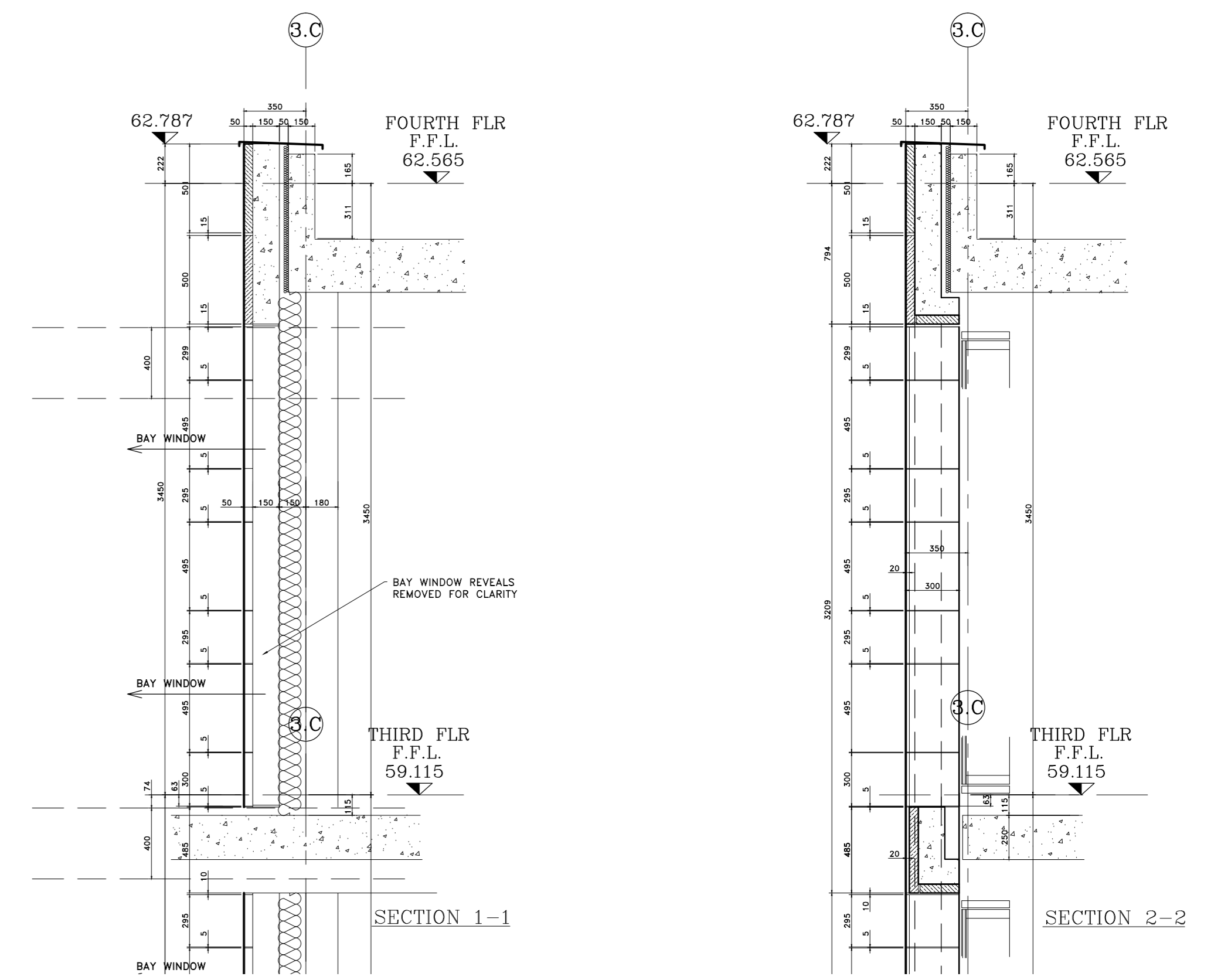
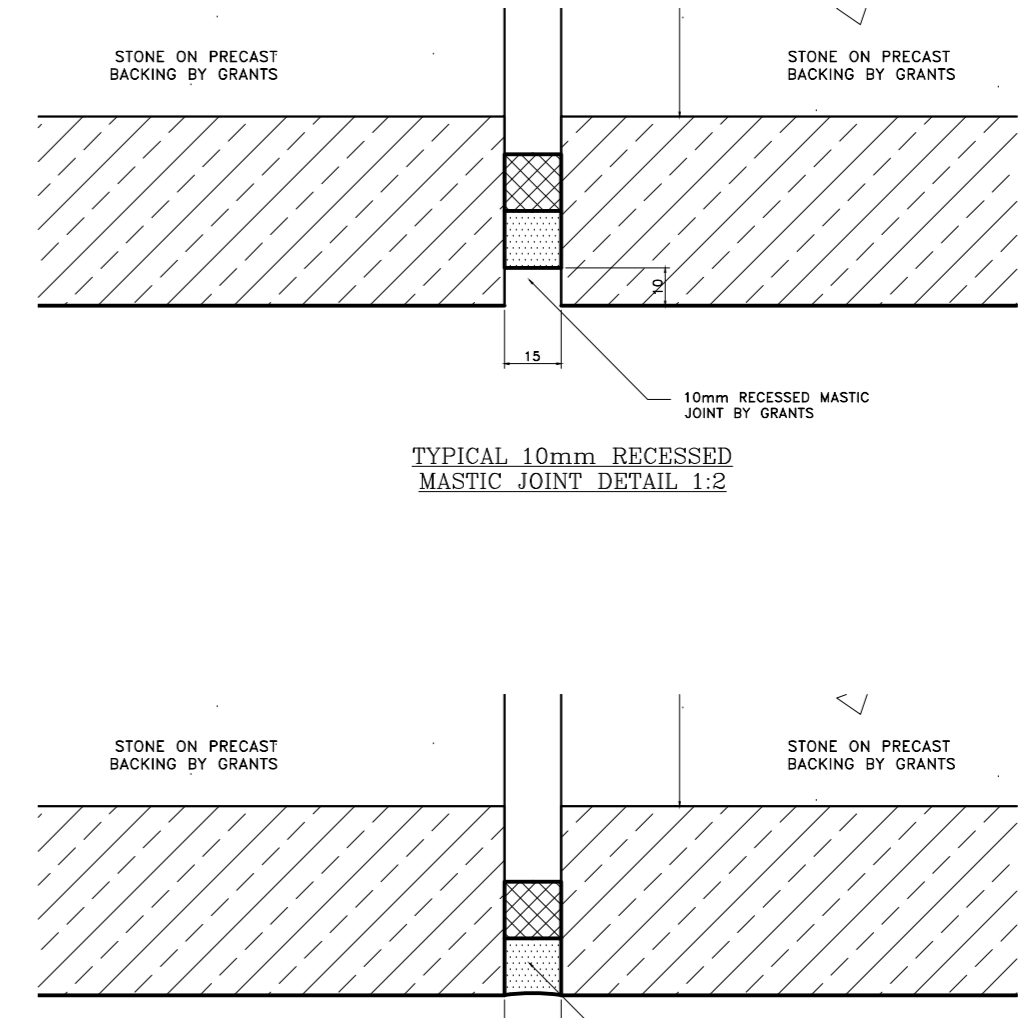
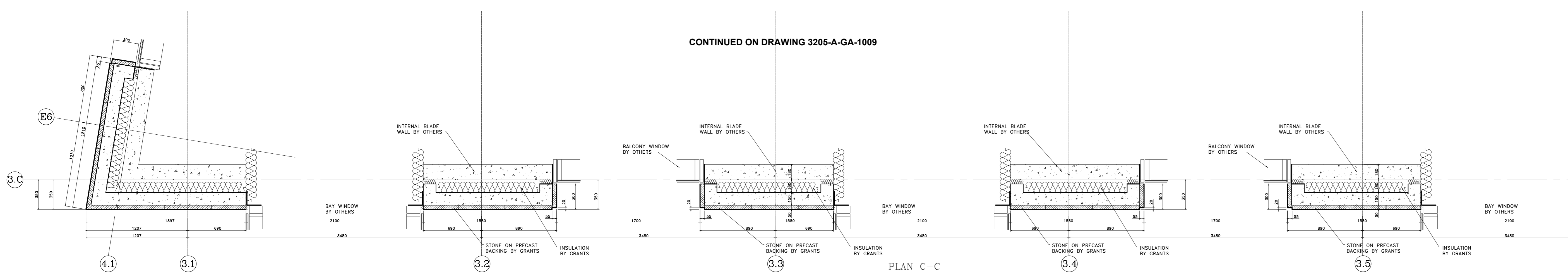


CONTINUED ON DRAWING 3205-A-GA-1015

CONTINUED ON DRAWING 3205-A-GA-1017



CONTINUED ON DRAWING 3205-A-GA-1009



Notes:
 STONE TYPE TO RUSTICATED STONEMARK TO BE PORTLAND BOWERS ROACH SAMPLE AND RANGE TO BE APPROVED.
 STONE TYPE TO NON RUSTICATED STONEMARK TO BE PORTLAND FANCY BEACH WHITBED SAMPLE AND RANGE TO BE APPROVED.
 STONE TYPE TO PLINTH STONEMARK TO BE GRANITE (SAMPLE TO BE APPROVED).
 STANDARD JOINTS TO BE 5mm FULLY POINTED TO APPROVED SAMPLE.
 ALL MASTIC TO MATCH APPROVED SAMPLES.
 ALL FIXING RESTRAINTS TO BE STAINLESS STEEL GRADE 304 AND TO BE ISOLATED FROM THE MILD STEEL TO PREVENT BIMETALLIC REACTION.
 ALL STONES SHOULD HAVE NUMBERS MARKED ON UNSEEN FACES AND BE PROVIDED AS PER THE CUTTING SCHEDULES.
 INSULATION TO BE KINGSPAN KOOL THERM K15.
 ALL WATERPROOFING DPM BY OTHERS.

CDM Regulations
 Design Risk Assessment:
 The size and shape of individual stones for this project have been designed to satisfy the overall design requirements for the building. All persons handling and installing such stones should be aware that there are risks associated with this type of work that cannot be designed out.
 RISK: INJURY
 Risk Reduction:
 Fixers must be suitably experienced in the handling of stones and employ lifting methods appropriate to the size and shape of that component. Access and platforms must be to the standard required by current legislation.
 References must always be made to COSHH information for the materials being used.

B	Stone and Panel references added.	27.06.13
A	Updated to Architects comments	15.05.13
Rev.	Reason For Issue	Date

This drawing is the property of Grants and is for the use only for the contractual parties. Grants are not responsible for any errors occurring through the use of this drawing by other parties. Do not scale drawings.

GRANTS
 GRANTS OF SHOREDITCH LTD
 GRANTS HOUSE, PROSPECT WAY
 HITCHAM, BRENTWOOD
 ESSEX, CM13 1XD
 0206 770 388 Fax: 020 703 880
 E: info@grants.co.uk

Project:
ST EDMUNDS TERRACE LONDON

Architect:
SQUIRE AND PARTNERS

Contractor:
MACE

Drawing Title:
BLOCK 3 EAST ELEVATION LEFT HAND END FOURTH FLOOR

Drawn By: **AM** Checked By: **Scale:** 1:25 @ A0 Date: 9/04/13 Revision: B
 Drawing No.: **3205-A-GA-1016**

