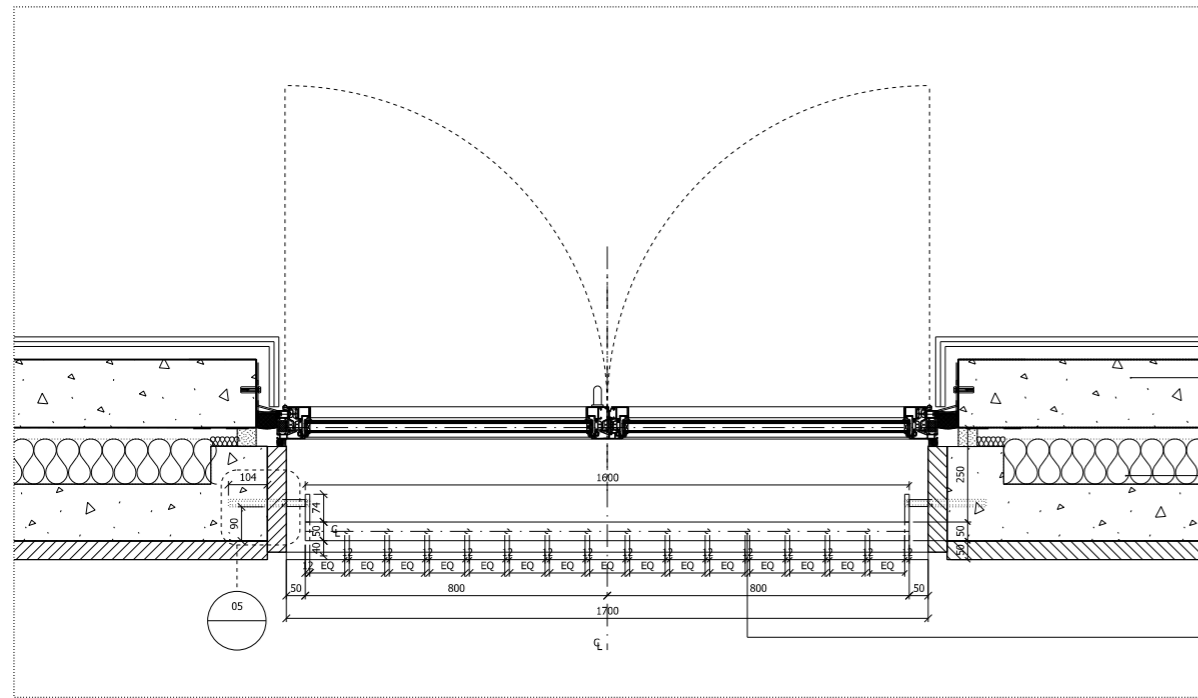
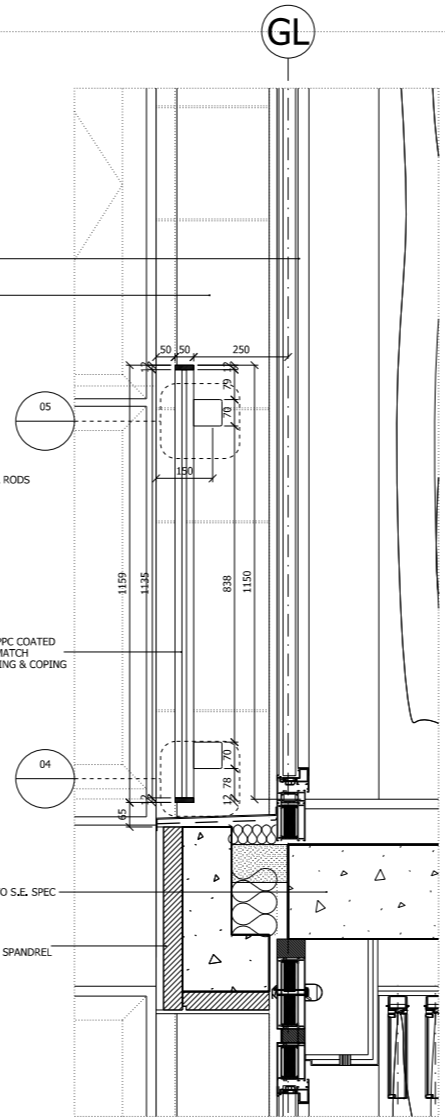


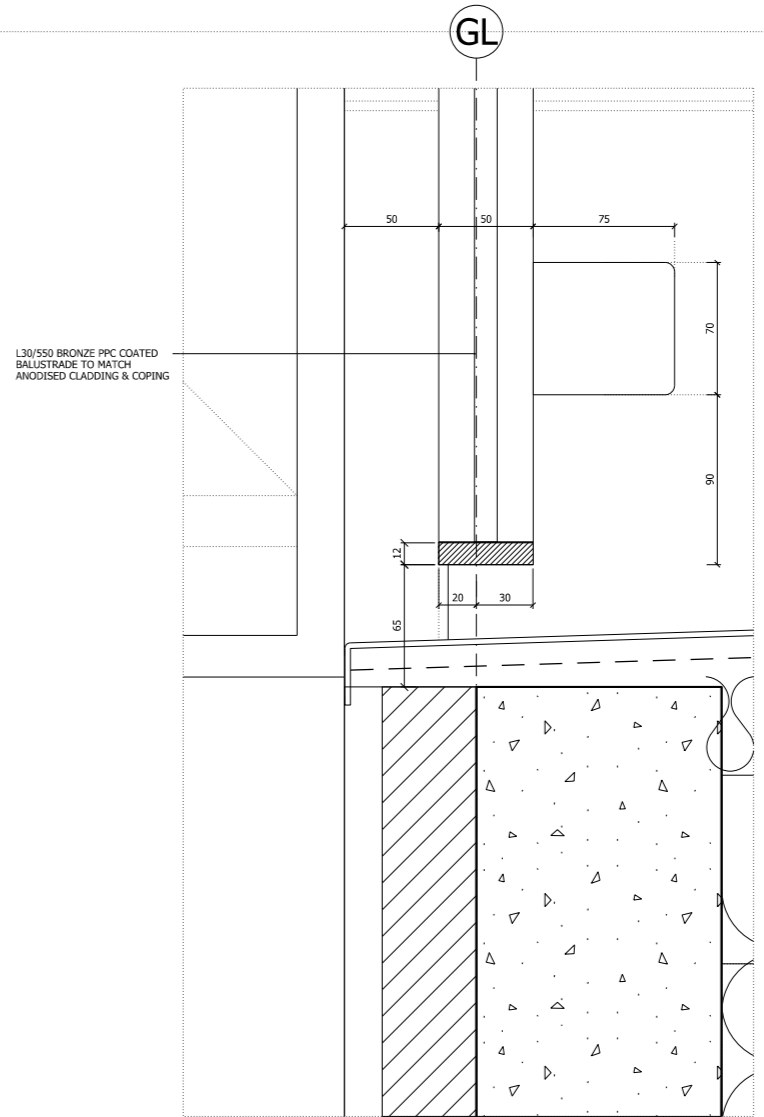
01 TYPICAL ELEVATION DETAIL BALUSTRADE
D_TY_G251_Balustrade



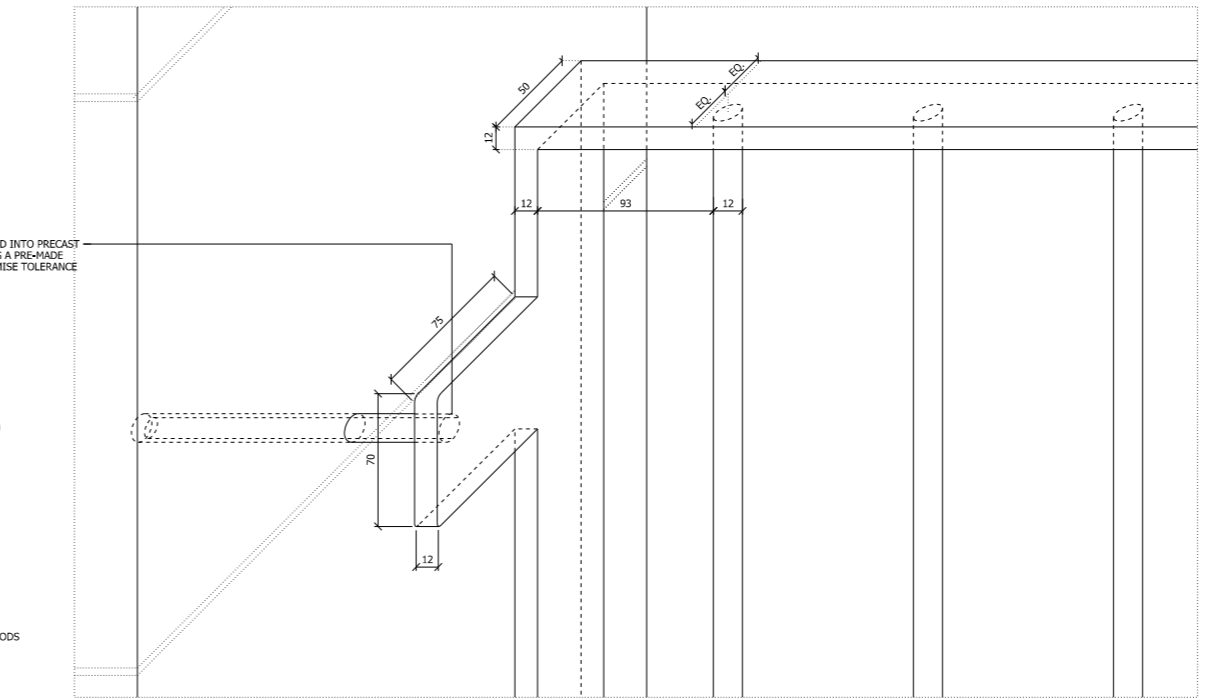
02 TYPICAL PLAN DETAIL BALUSTRADE
D_TY_G251_Balustrade



03 TYP. SECTION DETAIL BALUSTR.
D_TY_G251_Balustrade



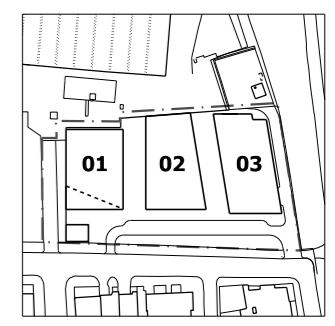
04 TYPICAL DETAIL ELEVATION FIXING UPSTAND CONCRETE_1:5
D_TY_G251_Balustrade



05 TYPICAL DETAIL FIXING UPSTAND CONCRETE_1:5
D_TY_G251_Balustrade

NOTES:
DO NOT SCALE FROM THIS DRAWING.
ALL DIMENSIONS TO BE CHECKED ON SITE.
ALL OMISSIONS AND DISCREPANCIES TO BE REPORTED TO THE ARCHITECT IMMEDIATELY.

ALL RIGHTS RESERVED. THIS WORK IS COPYRIGHT AND CANNOT BE REPRODUCED OR COPIED OR MODIFIED IN ANY FORM OR BY ANY MEANS, GRAPHIC ELECTRONIC OR MECHANICAL, INCLUDING PHOTOCOPYING WITHOUT THE WRITTEN PERMISSION OF SQUIRE AND PARTNERS ARCHITECTS.



Issued for Planning Condition 02	11/09/13	TSh	C
Issued for Const. Ext. Metal Work:4500	11/07/13	CFI	B
BALUSTRADES UPDATED			
Issued for Ext. Metalwork Add:4500	14/11/12	SYK	A
Issued for Ext. MetalworkTender:4500	01/10/12	SYK	/
Revision description	Date	Check	Rev

Squire and Partners
77 Wicklow Street London WC1X 9JY
T: 020 7278 5555 F: 020 7239 0495
info@squireandpartners.com
www.squireandpartners.com

Project
St Edmunds Terrace,
London, NW8

Drawing
Typical Balustrade Detail
Juliet Balcony
30 x 10mm flat infill bars

Drawn	Date	Scale
LCA	28/09/2012	1:10@A1 1:10@A3
Job number	Drawing number	Revision
10004	D_TY_G251_302	C