

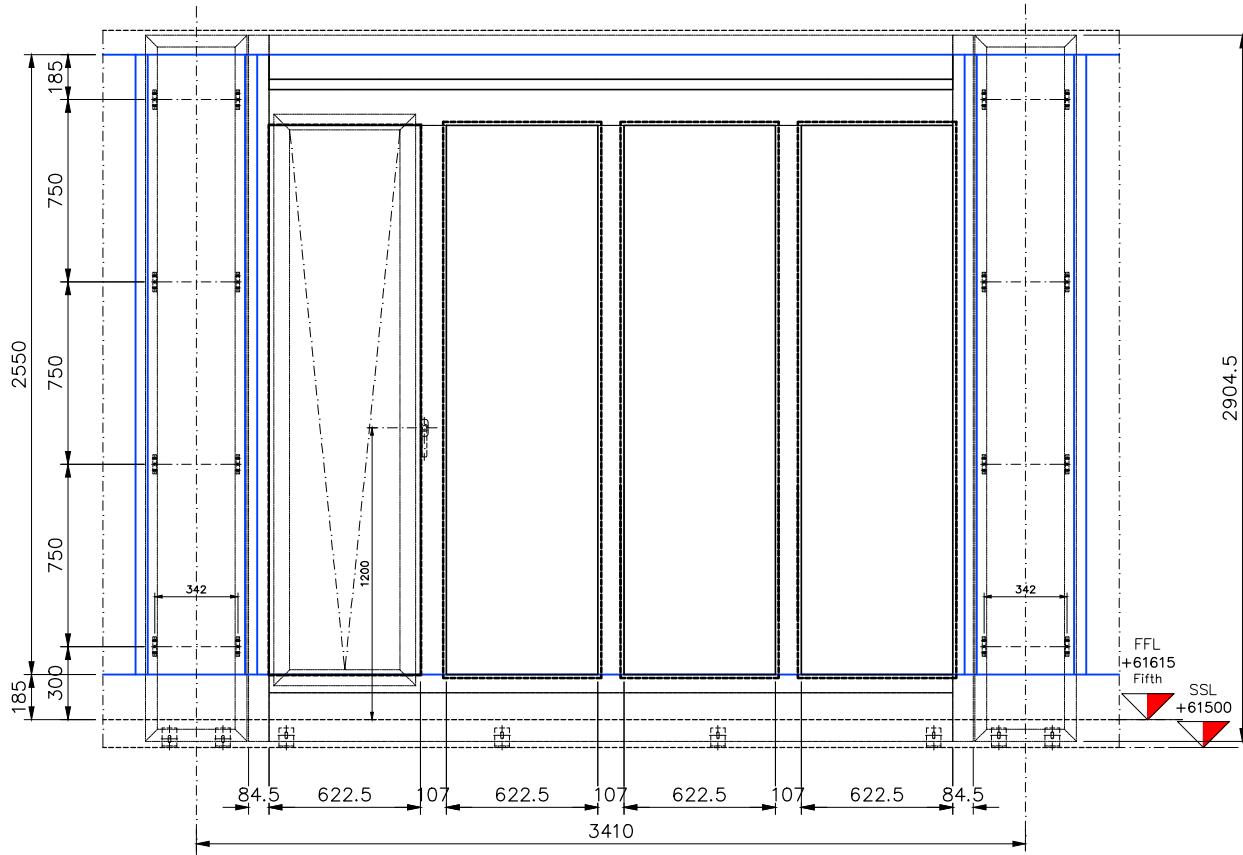
as shown

with Trickle vent (T)

BLOCK 2

Pos. 236

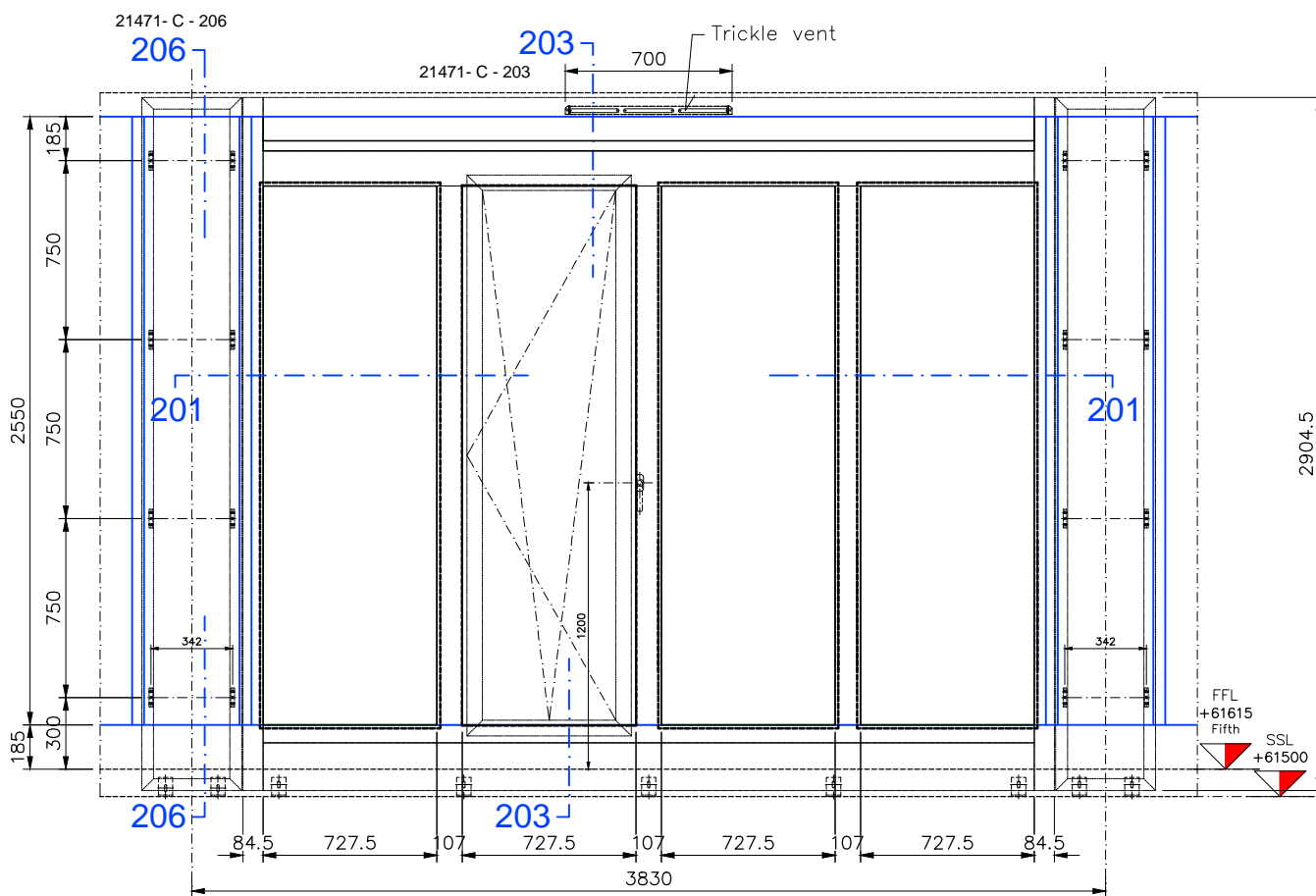
ELEVATION



as shown

BLOCK 2

Pos. 235



as shown

with Trickle vent (T)

BLOCK 2

Pos. 248

**FOR CONSTRUCTION**

Revision	01	amended acc. comments 16.07.13	27.07.2013	sen
Drawing-No	21471 - C - 104	Revision	01	
CAD-No	C-201b detail section	Drawn by/Date	12.06.13 E sen	
Project	St. Edmunds Terrace, London NW8	Architect	Squire and Partners, London	
Contractor		Checked		
<b>FRUH</b>	Scale: 1:1	1189 x 841	Status	
www.metalbau-fruh.com	Title: Window Type 02	Level 4	<input type="checkbox"/> A Approved for construction <input type="checkbox"/> B Approved for construction with consideration of the entered corrections, resubmission required <input type="checkbox"/> C Not approved for construction, resubmission required	
+49 (0) 865 8910-0	Elevation		Copyright by Metalbau FRUH	