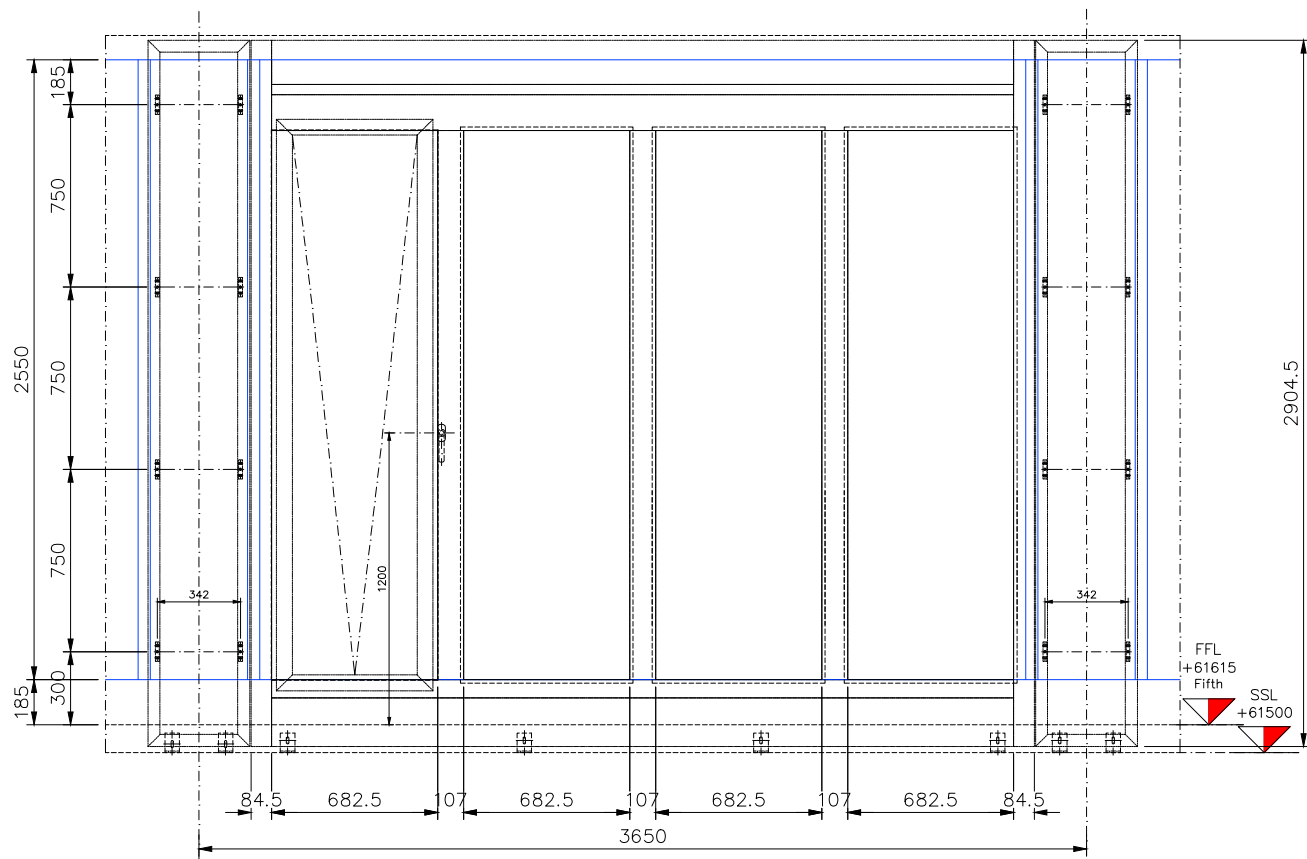


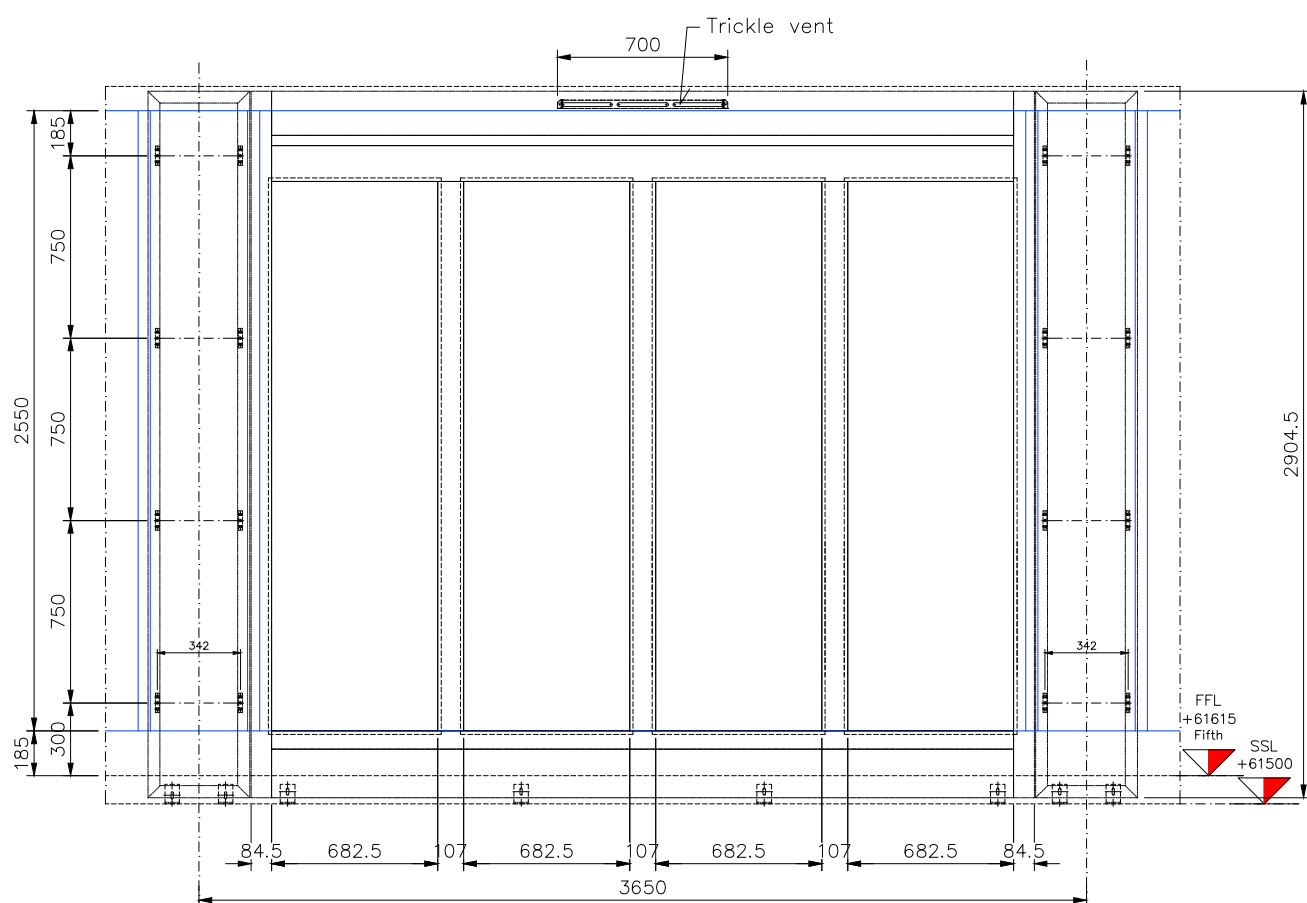
as shown		H a n d e d	
with Trickle vent (T)			
BLOCK 1	Pos. 202 Pos. 203 Pos. 205 Pos. 209	BLOCK 1	Pos. 214 Pos. 223
BLOCK 2	Pos. 230	BLOCK 2	Pos. 227

H a n d e d	
without	
BLOCK 1 +2	Pos. 210 Pos. 221 Pos. 226 Pos. 232

ELEVATION



as shown		H a n d e d	
without			
BLOCK 1+2	Pos. 216 Pos. 222 Pos. 204/Opaque glazing Pos. 206/Opaque glazing Pos. 228/Opaque glazing Pos. 229/Opaque glazing Pos. 231	BLOCK 1	Pos. 215 Pos. 217 Pos. 218



with Trickle vent (T)	
BLOCK 1	Pos. 211

Revision	02	amended acc. comments 16.07.13	27.07.2013,	sen
Revision	01	general amendment	12.06.2013,	sen
Drawing-No	21471 - C - 101		Revision	02
CAD-No	C-201b detail section		Drawn by/Date	05.04.2013, sen
Project	St. Edmunds Terrace, London NW8			
Architect	Squire and Partners, London			
Contractor	Checked			
FRU	Scale:	1:1	1189 x 841	Status
Metalbau Früh GmbH / UK Ltd www.metalbau-fruh.com Tel: +49 (0) 765 8910-0 E-Mail: info@metalbau-fruh.com	Title:	Window Type 02 Level 4 Elevation		<input type="checkbox"/> A Approved for construction with consideration of the entered corrections, resubmission required <input type="checkbox"/> B Not approved for construction, resubmission required <input type="checkbox"/> C
Copyright by Metalbau Früh				